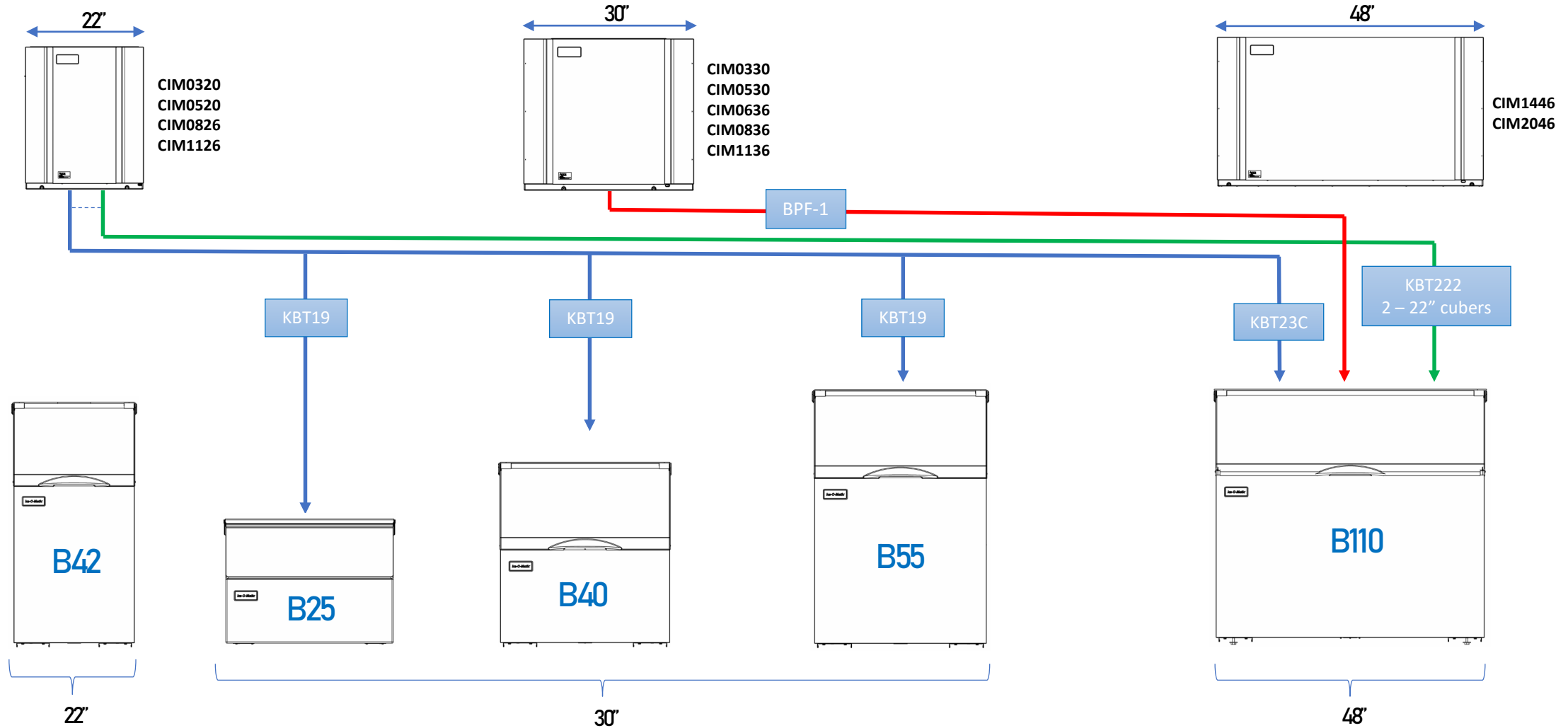


Bin Top, Adaptors, and Ice Level Control Placement Guide

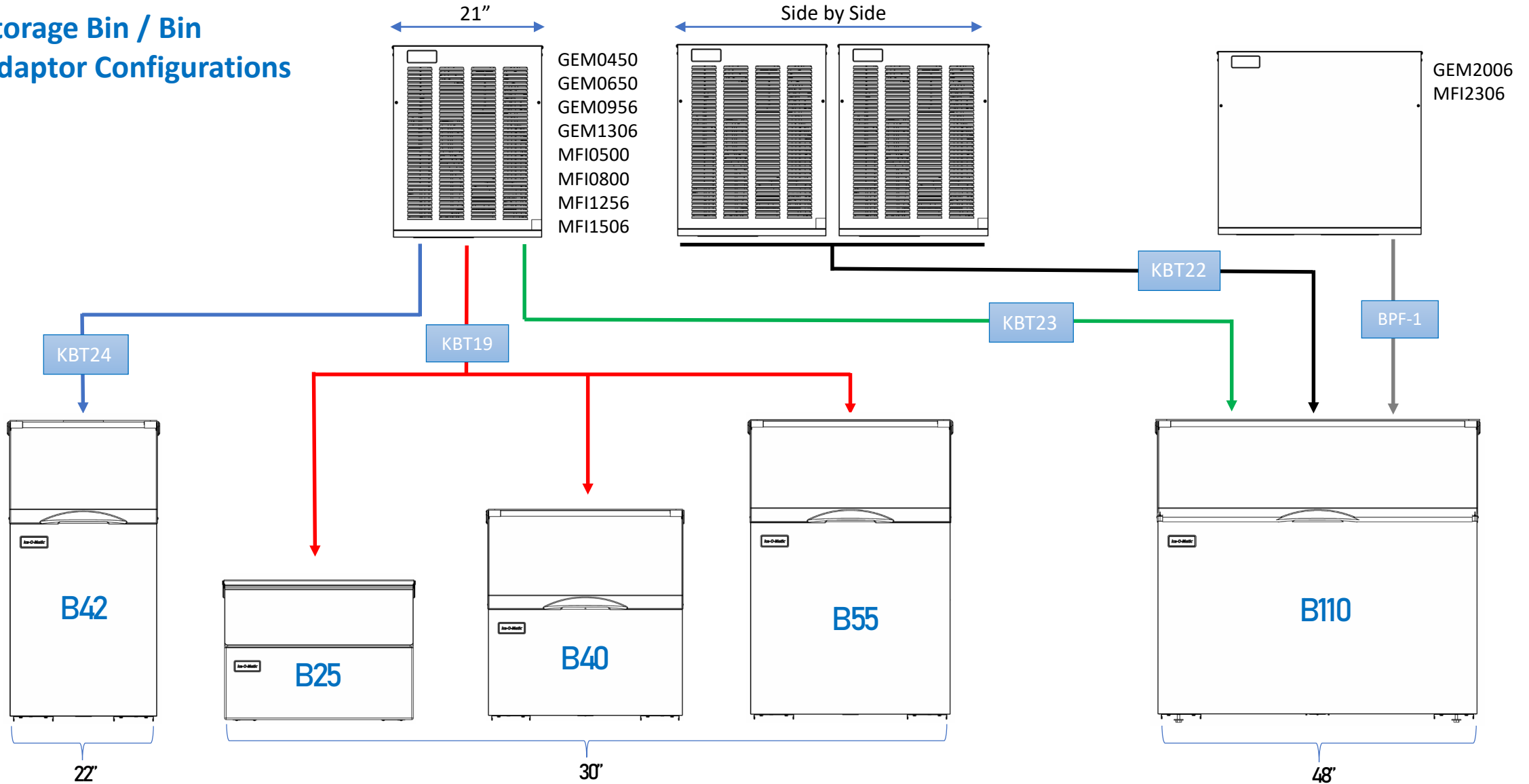


Ice-O-Matic 
Ice. Pure and Simple

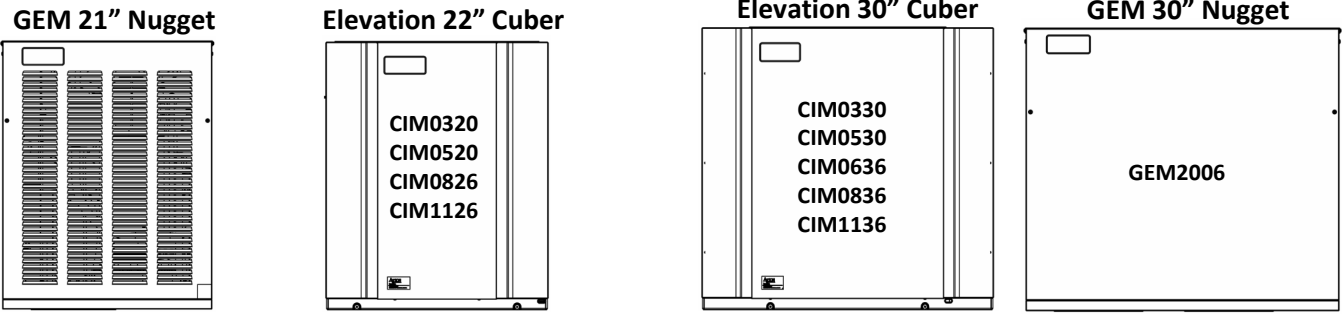
Modular CIM / Storage Bin / Bin Top Configurations



**Pearl (Nugget)
Flaker
Storage Bin / Bin
Adaptor Configurations**



Ice & Ice – Beverage Dispenser kit applications

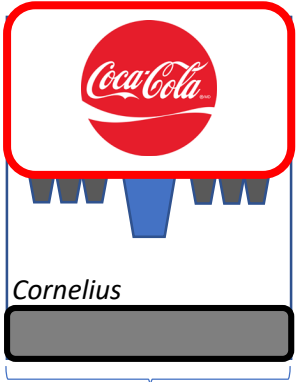


KBT15022

KBT25022

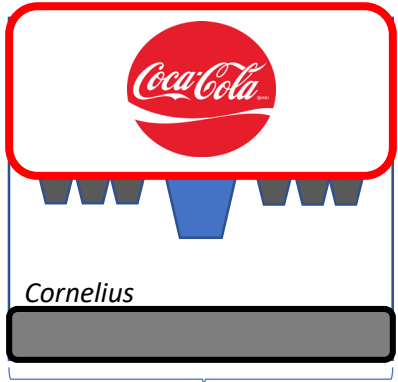
KBT25030

- Kits include:
- bin adaptor
 - Ice level kit (KCUBEDISP - KCUBEDISP)



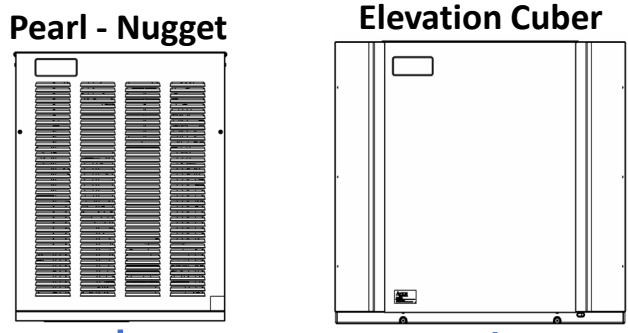
22"

IOD150
Or Cornelius ED equivalent



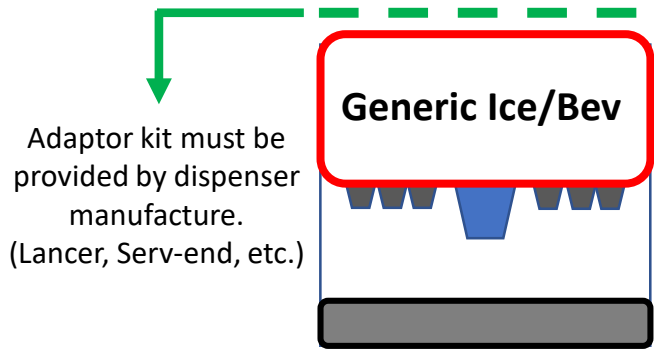
30"

IOD200 & 250
Or Cornelius ED equivalent



KGEMDISP
Ice level control

KCUBEDISP
Ice level control

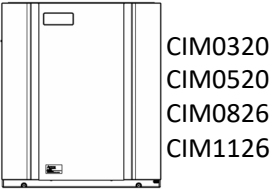


Generic Ice/Bev

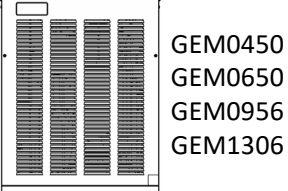
Adaptor kit must be provided by dispenser manufacture.
(Lancer, Serv-end, etc.)

Coke Freestyle Adaptors and Kits

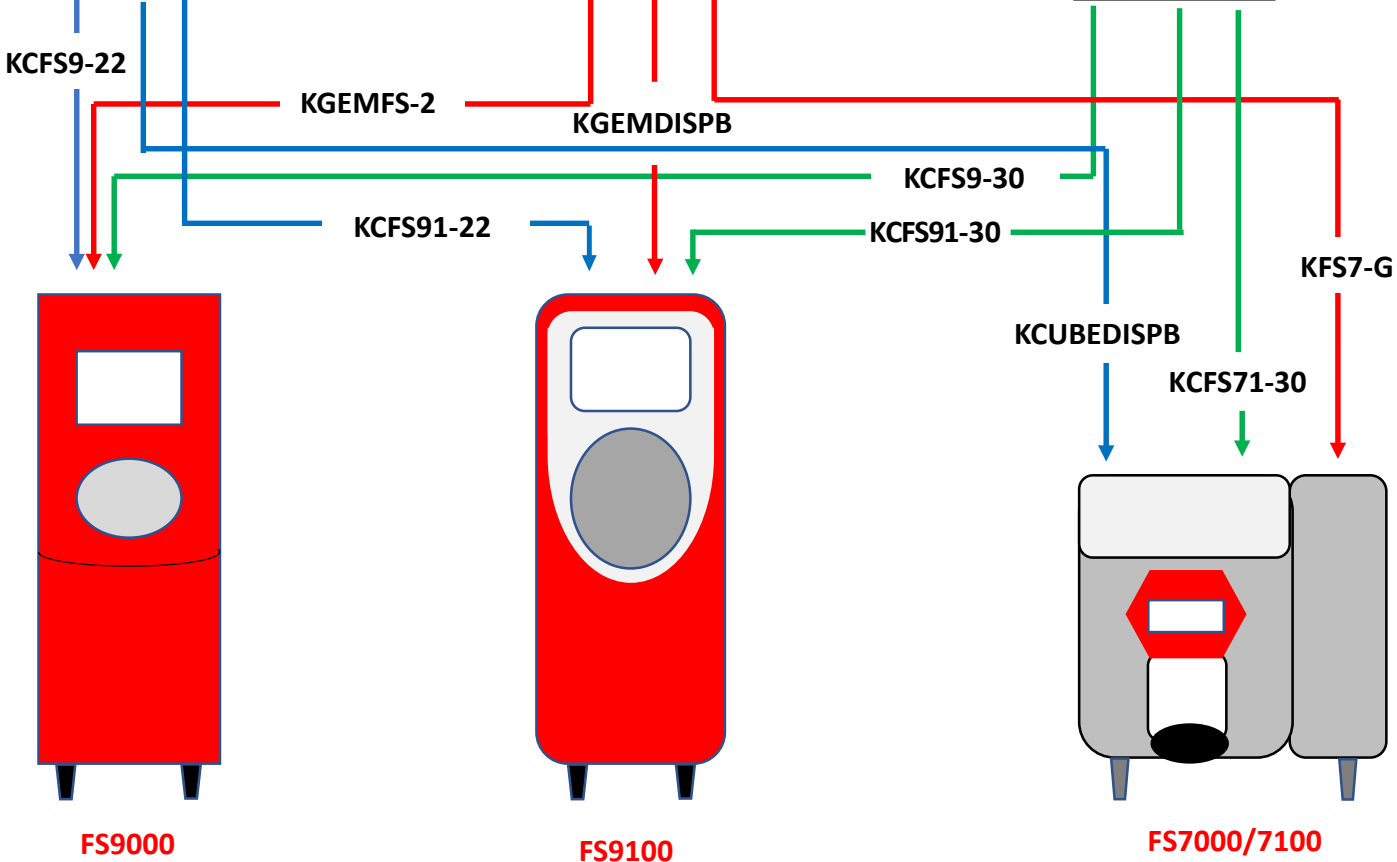
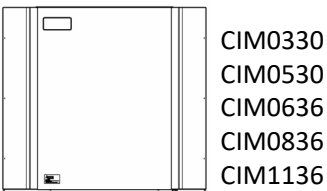
22" Elevation Cubers



Pearl Ice Machines



30" Elevation Cubers



All combinations require an adaptor from Coca-Cola, USA. in conjunction with the Ice O Matic kit.