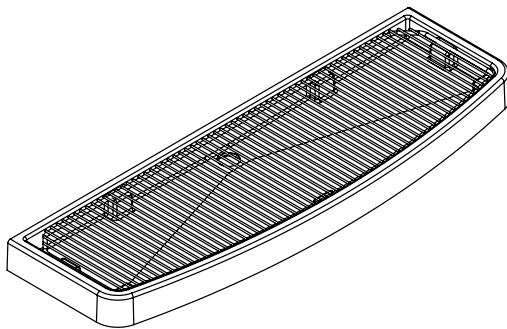




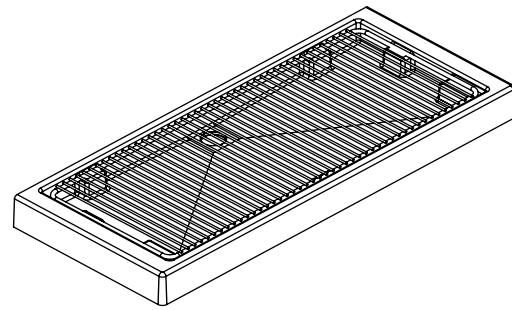
Service Bulletin 20-004 Rev A 01/30/2020

77x Cup Rest and Drip Tray Redesign

As of January 2, 2020, all 77x dispensers were shipped with the square drip tray and cup rest shown below. FBD will continue to carry the rounded drip tray kits under part numbers 12-2546-0013, 12-2546-0014, and 12-2546-0015 for 2-barrel, 3-barrel, and 4-barrel dispensers respectively. This change affects all dispensers with serial numbers starting with 20010001 (from the San Antonio facility) and CN2002XXXX (from the Shenzhen facility). For additional questions please contact FBD Technical Support.



Old Drip Tray (Rounded)



New Drip Tray (Square)

PART NUMBER	DESCRIPTION
19-2384-0004	2-Barrel Rectangular Drip Tray
17-2051-0001	2-Barrel Cup Rest
12-2546-0024	Drip Tray Kit, 771/772
19-2385-0004	3-Barrel Rectangular Drip Tray
17-2636-0001	3-Barrel Cup Rest
12-2546-0025	Drip Tray Kit, 773
19-2386-0007	4-Barrel Rectangular Drip Tray
17-2603-0001	4-Barrel Cup Rest
12-2546-0026	Drip Tray Kit, 774

FBD TECHNICAL SUPPORT: 866-323-2777 (U.S.), 852-2369-3998 (International), 800-176-986 (Australia), or www.fbdfrozen.com