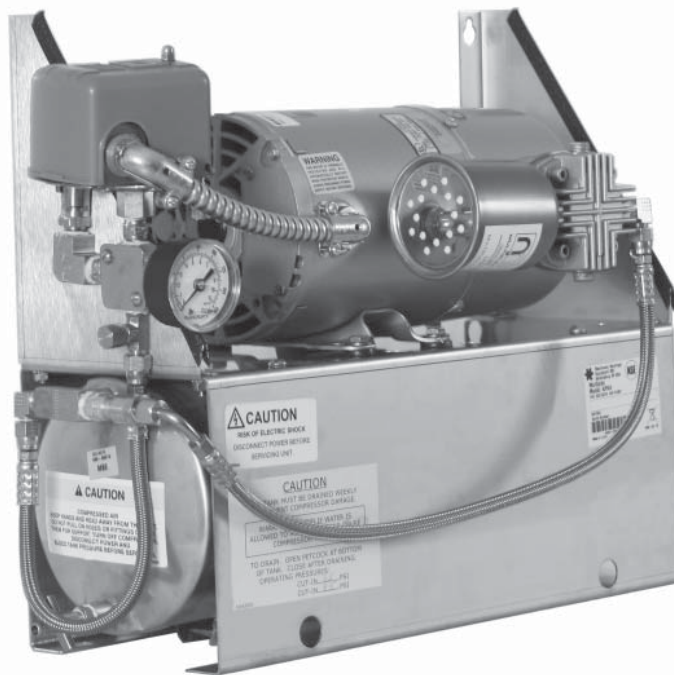


Model APH3 & APH3X



Benefits

- Clean, uncontaminated compressed air from an air compressor and stainless steel storage tank can be used to drive pneumatic syrup pumps or propel draft beer in a high volume location.

Features

- Mounts vertically or horizontally on wall, stand or shelf
- Completely self contained
- Plugs into wall outlet
- 1/4 HP motor
- 3 Gallon stainless steel air tank
- Provides 36/ft³ hour capacity

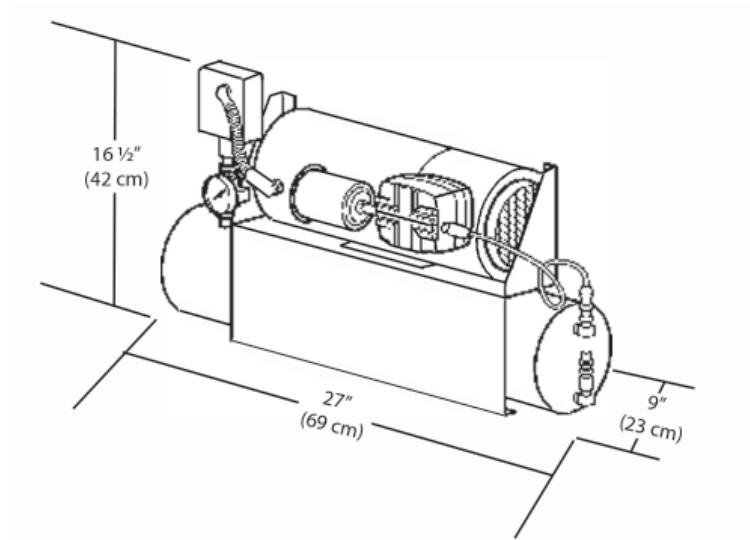
Specifications

Part Number	APH3	APH3X
Mount	Vertical/Horizontal for wall, stand, or shelf	
Motor	1/4 Horsepower	
Electrical	120VAC/60Hz/1Ph/6 Amp	220VAC/50Hz/1Ph/3 Amp

Recommended Equipment

Part Number	5031021	00212506	00214164
Item	Automatic Drain Kit	Installation Kit Plastic Lines	Installation Kit Copper Lines

Dimensions



4922A ©2011 Multiplex - 12/11 Continuing product improvement may necessitate change of specifications without notice.