



MFIO500 ON B42

Features

- Only 21" (533 mm) wide.
- Produces up to 541 lbs (245 kg) of ice per day.
- SystemSafe load monitoring system constantly checks workload on gearbox—shutting down system before a problem develops and preventing costly repairs.
- Water sensor eliminates low or no water failures and cannot be affected by adverse water conditions.
- Rugged stainless steel evaporator and auger ensures reliability.
- Industrial-grade roller bearings and heavy-duty gearbox provide years of trouble-free service.

Options & Accessories

WATER FILTERS			
Ice Machine Model	Manifold		Inline
	System	Replacement	System
MFIO500	IFQ1	IOMQ (1)	IFI4C / IFI8C

Ice Maker Warranty

Every Ice-O-Matic ice maker is backed by a warranty that provides both parts and labor coverage.

- Three years **Parts and Labor**.
- Five years **Parts** coverage on the compressor.

Ice Form



FLAKED ICE

Bin Chart *Kits for Combining Wider Bins with Smaller Models*

ICE STORAGE BINS										
Model No.	B25	B40	B42	B55	B700	B110	B1000	B1300	B1325	B1600
Capacity	242 lbs (110 kg)	344 lbs (156 kg)	351 lbs (160 kg)	510 lbs (232 kg)	680 lbs (308 kg)	854 lbs (388 kg)	1000 lbs (454 kg)	1320 lbs (599 kg)	1325 lbs (601 kg)	1660 lbs (753 kg)
Width	30 in (762 mm)	30 in (762 mm)	22 in (559 mm)	30 in (762 mm)	30 in (762 mm)	48 in (1,219 mm)	48 in (1,219 mm)	48 in (1,219 mm)	60 in (1,524 mm)	60 in (1,524 mm)
Kits	KBT19		KBT24	KBT19	Kit Not Required	KBT23	Kit Not Required			
	MFIO500 (2)		N/A			KBT222	Kit Not Required			

*See Ice-O-Matic Price List for Adapter Kits to combine ice makers with most available ice/beverage dispensers

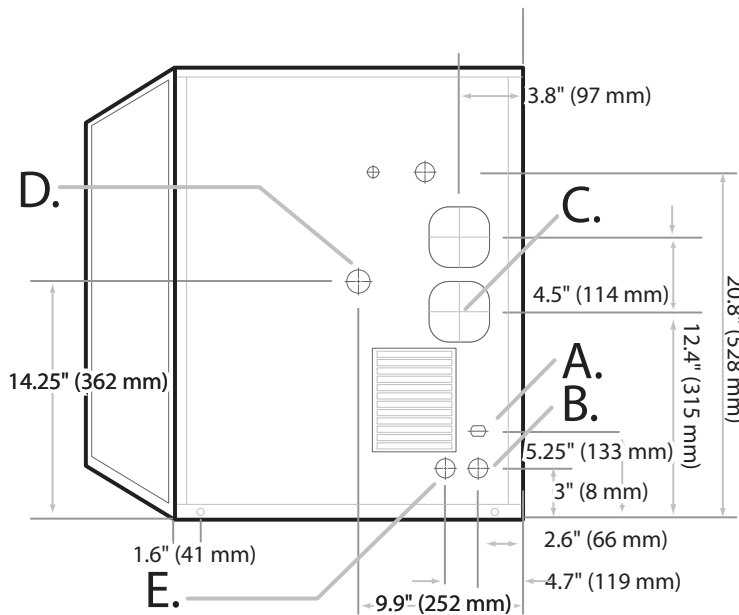
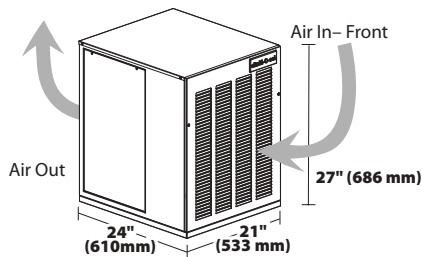


MFIO5000 FLAKE ICE MAKER

Air Cooled

Please note: air-cooled units require 6" (152 mm) clearance for air intake and exhaust.

- A. Ice maker potable water in, 3/8" FPT.
- B. Drain, 3/4" FPT.
- C. Hole for electrical connection.
- D. Condenser inlet (water cooled only) 3/8" FPT
- E. Condenser drain (water cooled only) 1/2" FPT.



Air & Water Cooled

Operating Requirements

	MINIMUM	MAXIMUM
	60 Hz	
Ambient Temp. Range Air	50°F (10°C)	100°F (38°C)
Water Temp.	40°F (4.4°C)	
Water Pressure	20 PSIG (1.4 BAR)	120 PSIG (8.3 BAR)

Dimensions

ALL MODELS	
W x D x H (in.)	21 x 24 x 27
W x D x H (mm)	533 x 610 x 686

Specifications

Model Number	Cond. Unit	Ice Production per 24 hrs		Water Usage gallons per 100 lbs of Ice 90°F air/70°F water		kWH Used per 100 lbs of ice @ 90°F air/70°F water	Voltage Characteristics	Min. Circuit Ampacity	Max Breaker Size	Approx. BTUs** per hour
		70°F air/50°F water lbs (kg)	90°F air/70°F water lbs (kg)	Potable gal	Condenser gal					
MFIO500A	Air	540 (245)	370 (167)	12.0	-	4.9	115/60/1	15.2	20	2,900
MFIO500W	Water	541 (246)	456 (206)		106			3.4		

**BTUH is calculated to 0°F Evaporator, 100°F Condensing, and 33 PSIG.

NOTES:

Number of Wires: 3 (including ground)
 Approx. Shipping Weight lbs (kg): MFIO500AS 205 (93) • MFIO500WS 205 (93)
 Refrigerant Type: R404A