



CD40030 with CIMO330

Features

- Only 30" (762 mm) wide.
- Storage 180 lbs (81 kg) of ice per day.
- *Turbo Dispense* dispenses ¼ lbs of ice per second.
- *Power Clean* allows access to the bin for easy cleaning without moving the ice machine. Interlock safety switch turns off machine agitation when top-front access panel is removed.
- 4" (102 mm) foam insulation for maximum ice preservation – no more quick melting ice.
- Constructed from corrosion-resistant stainless steel and fingerprint-proof plastic.
- Great for hard water, food safety and tight spaces.
- Ultra-low profile design.
- Maximum ice storage in a minimum amount of space.
- User friendly push-to-dispense operation.
- Available with water glass filler

CD40030/40130/40530 CUBE ICE DISPENSER

Options

| Ice Machine Model | Water Dispenser |
|-------------------|-----------------|
| CD40030 | No |
| CD40130 | Included |
| CD40530 | N/A |

Ice Form



CUBE

| Full Cube Dimensions | |
|----------------------|-----------------|
| W x D x H (in.) | 7/8 x 7/8 x 7/8 |
| W x D x H (mm) | 22 x 22 x 22 |
| Half Cube Dimensions | |
| W x D x H (in.) | 3/8 x 7/8 x 7/8 |
| W x D x H (mm) | 10 x 22 x 22 |

ICE PRODUCTION FOR OPTIONAL CUBE ICE MAKERS—LBS. (KG) PER 24 HOURS*

| Model No. | CIMO330 | CIMO430 | CIMO530 | CIMO636 | CIMO836 | CIM1136 | ICE1506 |
|-----------|-----------|-----------|-----------|--------------|--------------|--------------|--------------|
| Air | 313 (142) | 435 (197) | 561 (254) | 600 (272) | 896 (406) | 932 (423) | 1430 (439) |
| Water | 316 (143) | 460 (209) | 586 (266) | 620 (281) | 896 (406) | 968 (439) | N/A |
| Remote | N/A | N/A | 525 (238) | 615 (279) | 906 (411) | 968 (439) | 1450 (658) |
| Voltage | 115/60/1 | 115/60/1 | 115/60/1 | 208-230/60/1 | 208-230/60/1 | 208-230/60/1 | 208-230/60/1 |

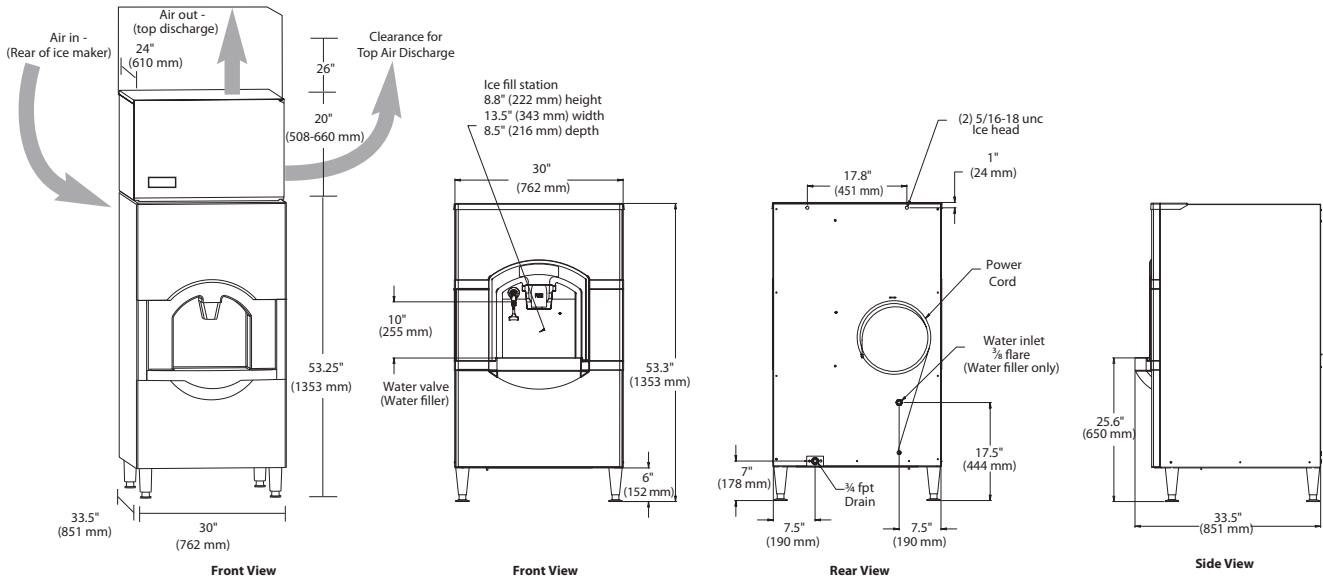
*Tested at 70°F Air/50°F Water.

All specifications and performance data are subject to normal manufacturing variances. Daily ice production based on half cube configuration.

NOTE: THE CIMO836/O835 AND CIM1136/1135/1137 WILL ALSO WORK WITH THE CD40030 SERIES.



CD40030/40130/40530 CUBE ICE DISPENSER



Operating Requirements

| | MINIMUM | MAXIMUM | |
|-------------------------|-------------------|-------------------|--------------|
| | | 60 Hz | 50Hz |
| Ambient Temp. Range Air | 50°F (10°C) | 100°F (38°C) | 110°F (43°C) |
| Water Temp. | 40°F (4.4°C) | | 90°F (32°C) |
| Water Pressure | 20 PSIG (1.4 BAR) | 60 PSIG (4.1 BAR) | |

Dimensions (dispenser only)

| ALL MODELS | |
|-----------------|-------------------|
| W x D x H (in.) | 30 x 33.5 x 53.25 |
| W x D x H (mm) | 762 x 851 x 1353 |

Specifications

| Model Number | Dispenser Operation | ARI Bin Storage lbs (kg) | Voltage Characteristics | Min. Circuit Ampacity | Max Fuse Size |
|--------------|---------------------|--------------------------|-------------------------|-----------------------|---------------|
| CD40030 | Push | 180 (81) | 115/60/1 | 2.1 | 15 |
| CD40130 | Push/Water | | | | |
| CD40530 | Push | | 230/50/1 | | |

All specifications and performance data are subject to normal manufacturing variances.

Note #1: Model CD40030, CD40130 and CD40530 dispensers accept all 30" (762 mm) CIM Series™ Cube Ice Makers.

Do not use with ICE1506.

- Note #2: Water dispensers cannot be field-installed on the CD400 Series Dispensers.
- Note #3: CD40030 and CD40530 Series units do not require an Adaptor and Bin Level Kit. Not for use with 22" (559 mm) machines.

NOTES:

Number of Wires: 3 (including ground)
 Approx. Shipping Weight lbs (kg): CD40030 220 (100) • CD40130 224 (102) • CD40530 220 (100)
 Cordset is included with the following models: CD40030 220 (100) • CD40130 224 (102)