



CD40030 with CIMO330

### Features

- Only 30" (762 mm) wide.
- Storage 180 lbs (81 kg) of ice per day.
- *Turbo Dispense* dispenses ¼ lbs of ice per second.
- *Power Clean* allows access to the bin for easy cleaning without moving the ice machine. Interlock safety switch turns off machine agitation when top-front access panel is removed.
- 4" (102 mm) foam insulation for maximum ice preservation – no more quick melting ice.
- Constructed from corrosion-resistant stainless steel and fingerprint-proof plastic.
- Great for hard water, food safety and tight spaces.
- Ultra-low profile design.
- Maximum ice storage in a minimum amount of space.
- User friendly push-to-dispense operation.
- Available with water glass filler

CD40030/40130/40530 CUBE ICE DISPENSER

### Options

Ice Machine Model	Water Dispenser
CD40030	No
CD40130	Included
CD40530	N/A

### Ice Form



### CUBE

Full Cube Dimensions	
W x D x H (in.)	7/8 x 7/8 x 7/8
W x D x H (mm)	22 x 22 x 22
Half Cube Dimensions	
W x D x H (in.)	3/8 x 7/8 x 7/8
W x D x H (mm)	10 x 22 x 22

### ICE PRODUCTION FOR OPTIONAL CUBE ICE MAKERS—LBS. (KG) PER 24 HOURS\*

Model No.	CIMO330	CIMO430	CIMO530	CIMO636	CIMO836	CIM1136	ICE1506
Air	313 (142)	435 (197)	561 (254)	600 (272)	896 (406)	932 (423)	1430 (439)
Water	316 (143)	460 (209)	586 (266)	620 (281)	896 (406)	968 (439)	N/A
Remote	N/A	N/A	525 (238)	615 (279)	906 (411)	968 (439)	1450 (658)
Voltage	115/60/1	115/60/1	115/60/1	208-230/60/1	208-230/60/1	208-230/60/1	208-230/60/1

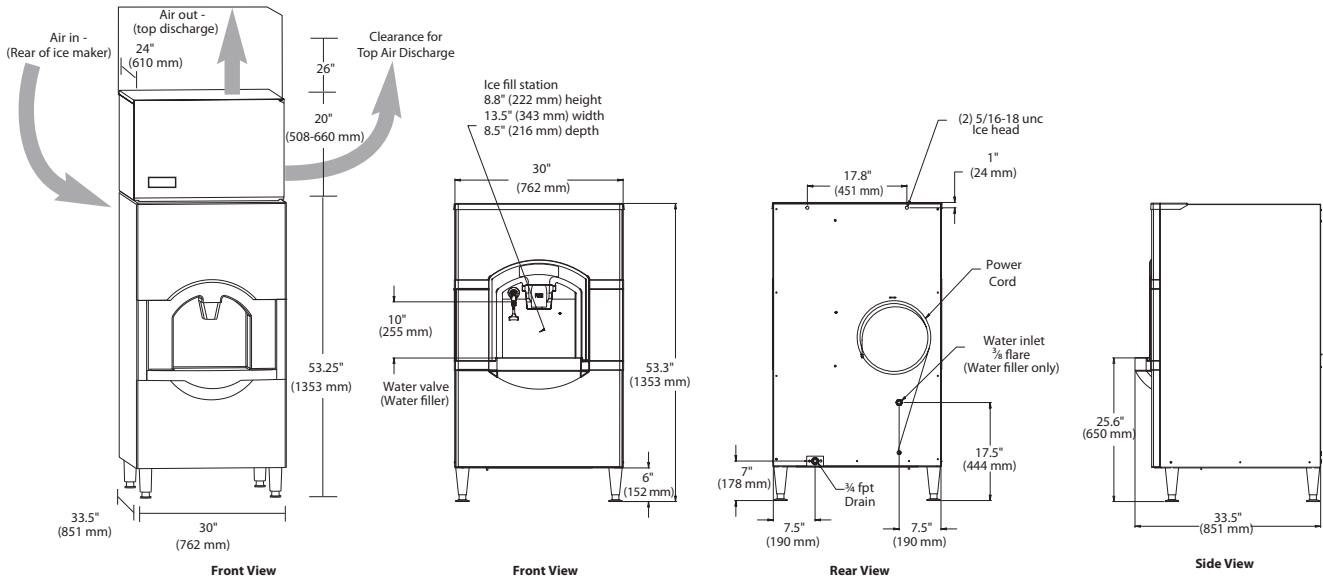
\*Tested at 70°F Air/50°F Water.

All specifications and performance data are subject to normal manufacturing variances. Daily ice production based on half cube configuration.

NOTE: THE CIMO836/O835 AND CIM1136/1135/1137 WILL ALSO WORK WITH THE CD40030 SERIES.



CD40030/40130/40530 CUBE ICE DISPENSER



## Operating Requirements

	MINIMUM	MAXIMUM	
		60 Hz	50Hz
Ambient Temp. Range Air	50°F (10°C)	100°F (38°C)	110°F (43°C)
Water Temp.	40°F (4.4°C)		90°F (32°C)
Water Pressure	20 PSIG (1.4 BAR)	60 PSIG (4.1 BAR)	

## Dimensions (dispenser only)

ALL MODELS	
W x D x H (in.)	30 x 33.5 x 53.25
W x D x H (mm)	762 x 851 x 1353

## Specifications

Model Number	Dispenser Operation	ARI Bin Storage lbs (kg)	Voltage Characteristics	Min. Circuit Ampacity	Max Fuse Size
CD40030	Push	180 (81)	115/60/1	2.1	15
CD40130	Push/Water				
CD40530	Push		230/50/1		

All specifications and performance data are subject to normal manufacturing variances.

Note #1: Model CD40030, CD40130 and CD40530 dispensers accept all 30" (762 mm) CIM Series™ Cube Ice Makers.

Do not use with ICE1506.

- Note #2: Water dispensers cannot be field-installed on the CD400 Series Dispensers.
- Note #3: CD40030 and CD40530 Series units do not require an Adaptor and Bin Level Kit. Not for use with 22" (559 mm) machines.

### NOTES:

Number of Wires: 3 (including ground)  
 Approx. Shipping Weight lbs (kg): CD40030 220 (100) • CD40130 224 (102) • CD40530 220 (100)  
 Cordset is included with the following models: CD40030 220 (100) • CD40130 224 (102)