



# T5000 Series

CO<sub>2</sub> OPERATED BAG-IN-BOX PUMP



**FLOJET**  
a xylem brand

# Superior performance and reliability

Flojet's New T5000 Series air operated diaphragm pump provides superior performance and reliability for dispensing bag-in-box syrups, juice concentrate, teas, wines, and liquor.

Engineered for ultimate performance and reliability, Flojet's T5000 Series air operated diaphragm pump provides excellent chemical resistance for a wide variety of syrups and concentrates.

Flojet's rigorously tested, customer-inspired design features have extended the pump's service life to 50,000 gallons (140,000 liters), up 25% over its predecessor, the N5000 Series.



## Pump Features and Benefits

- Customer inspired design improvements extend the pump's life by 25%
- New air inlet quick disconnect ports for easy CO<sub>2</sub> installation and servicing
- New glass filled polypropylene body material for improved resistance to harsh syrups
- Snap-on bracket allows for easier maintenance and servicing as well as simple slide mounting to BIB racks

## Dispensing Beverages For Over 25 Years

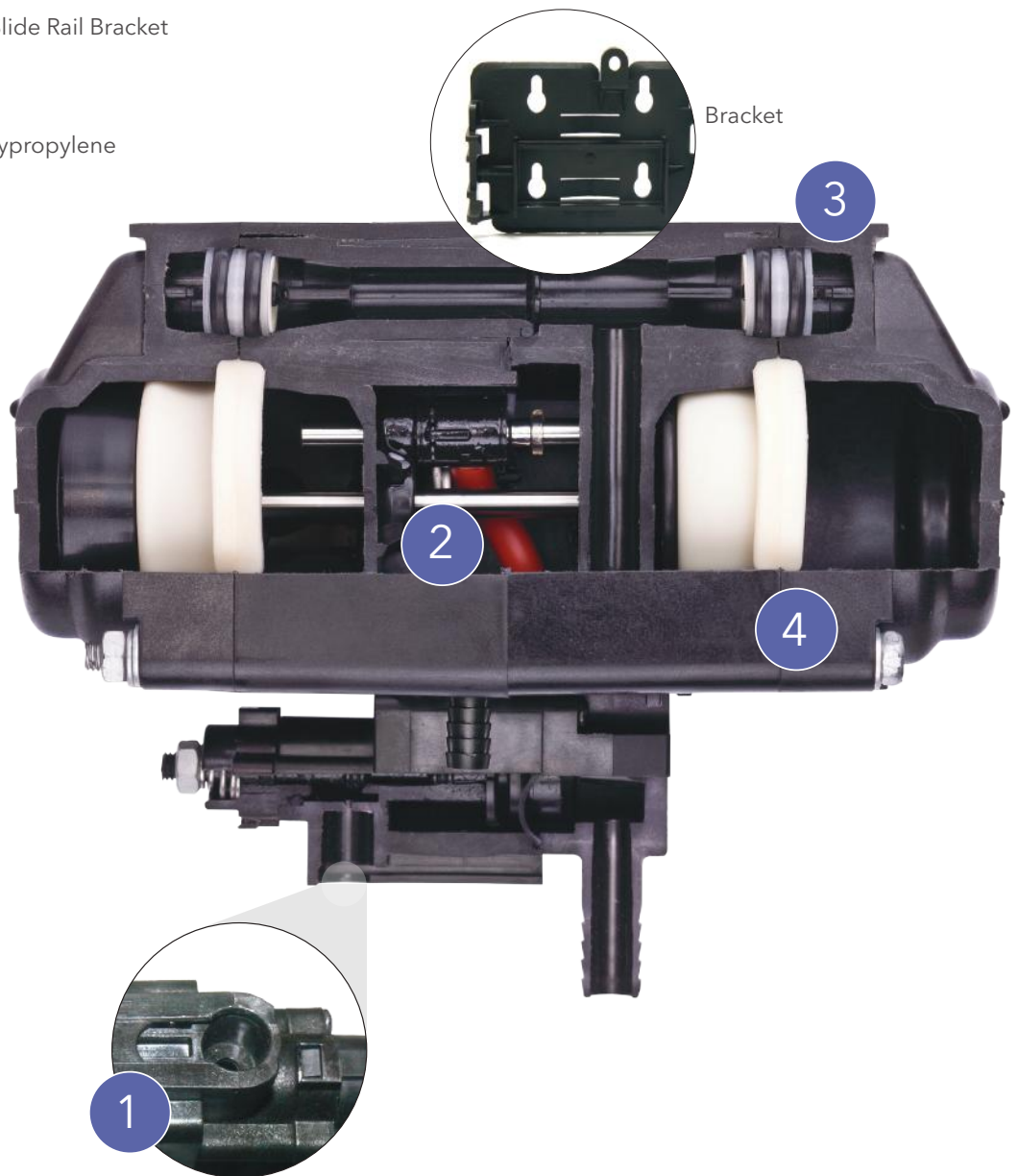
- Flojet's air operated pumps are serving over 2 billion fountain drinks.
- Flojet is the bag-in-box industry standard for air-operated pumps.
- Backed by the Flojet brand of air-operated diaphragm pump technology, a brand enjoying over 25 years of operational excellence.
- Providing efficient fluid handling solutions to the two largest water users in world.

# T5000 Series

## Next Generation Design Improvements

### New Cutaway Features Overview

- 1 Quick Disconnect Exhaust Fitting
- 2 Improved Shaft / Slipper Seal Design
- 3 Designed for Use with Slide Rail Bracket
- 4 Material upgrade to Polypropylene



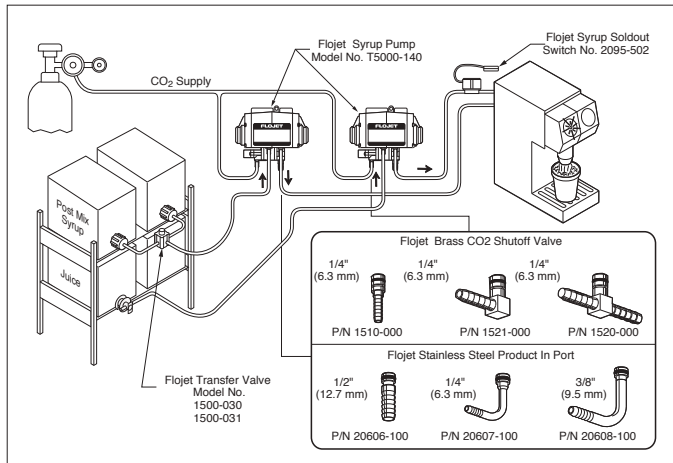
## Applications

- Designed for dispensing bag-in-box syrups, juice concentrate (without pulp or particulates), teas, wines, and liquor
- Supplies the following from remote location:
  - Four (4) 3.0oz (89ml) valves<sup>1</sup> or
  - Two (2) 4.5oz (133ml) valves<sup>2</sup>

<sup>1</sup>Each valve dispenses syrup at 0.50oz/sec

<sup>2</sup>Each valve dispenses syrup at 0.75oz/sec

## Typical Installation



### New Model No.

T5000-130

T5000-140

T5000-515

T5000-135 Service Pump (w/out auto shutoff)

T5000-153 High Altitude Pump or Installations Above 3000ft (900m)

### Replaces

N5000-130

N5000-140

N5000-515

N5000-135

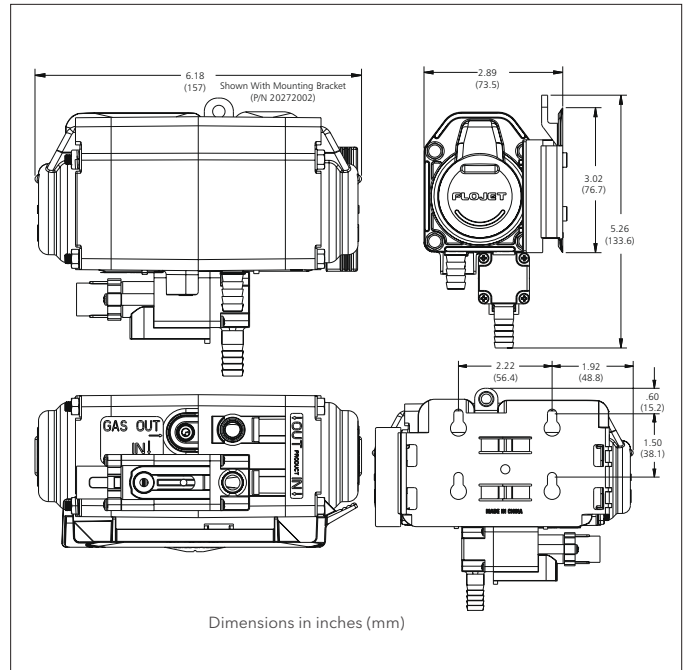
N5000-153

Note: All N5000 Series pumps have been converted to T5000 series pumps per the part number format noted above.

## Specifications

Pump Design	Positive Displacement, Double Diaphragm
Power Source	CO <sub>2</sub> Gas, Nitrogen or Compressed Filtered Air
Materials of Construction (Wetted Parts)	Polypropylene, Santoprene®, EPDM, 302 or 304 Stainless Steel Spring
Temperature Limits	34° - 120°F (1.1° - 49°C)
Weight	1.19lbs (0.54kg)
Dimensions	5.26" H x 6.18" W x 2.89" D (133.6mm x 156.8mm x 73.5mm)
Displacement:	2.5 oz per cycle
Self Priming	Up to 10ft (3.05m)
Operating Pressure	20 psi (1.4 bar) min / 80 psi (5.5 bar) max
Flow Rate	4.0oz (118.3ml)/sec - Open Flow
Approvals	CE, NSF Standard 18
Warranty	5 Years

## Dimensional Drawing



Dimensions in inches (mm)



Warranty: All products of the company are sold and all services of the company are offered subject to the company's warranty and terms and conditions of sale, copies of which will be furnished upon request. The information provided herein is for guidance only, it does not constitute a guarantee of the performance or specification of any individual product or component.

[www.xylem.com](http://www.xylem.com)

USA  
Xylem, Inc.  
Cape Ann Industrial Park  
Gloucester, MA 01930  
Tel (978) 281-0440  
Fax (978) 283-2619

UK  
Xylem, Inc.  
Bingley Road, Hoddesdon  
Hertfordshire EN11 0BU  
Tel +44 (0) 1992 450145  
Fax +44 (0) 1992 467132

GERMANY  
Xylem, Inc.  
Oststrasse 28  
22844 Norderstedt  
Tel +49-40-53 53 73-0  
Fax +49-40-53 53 73-11

JAPAN  
NHK Jabsco Company Ltd.  
3-21-10, Shin-Yokohama  
Kohoku-Ku, Yokohama, 222-0033  
Tel +81-045-475-8906  
Fax +81-045-477-1162

ITALY  
Xylem, Inc.  
Via Tommaseo, 6  
20059 Vimercate, Milano  
Tel +39 039 685 2323  
Fax +39 039 666 307