

SERVICE PARTS MANUAL Storage Bins



B25PP
B25PP



B40B



B42B



B55B



B100B
B110B

14-1018-B

Date 2/3/17

This parts list contains the service parts available for the Ice-O-Matic storage bins listed below.

B25PP **From Serial Number 13011320011089 to 15031320014759**

B25PP **From Serial Number 15071280013855**

B42B

B40B

B55B

B100B

B110B

Check the model number on the data plate and refer to the correct listing for the specific component.

Check carefully that the correct part is identified and ordered.

Table of Contents **Page 1**

B25PP From Serial Number 1301 <u>1320011089</u> to 1503 <u>1320014759</u>	Page 2
---	---------------

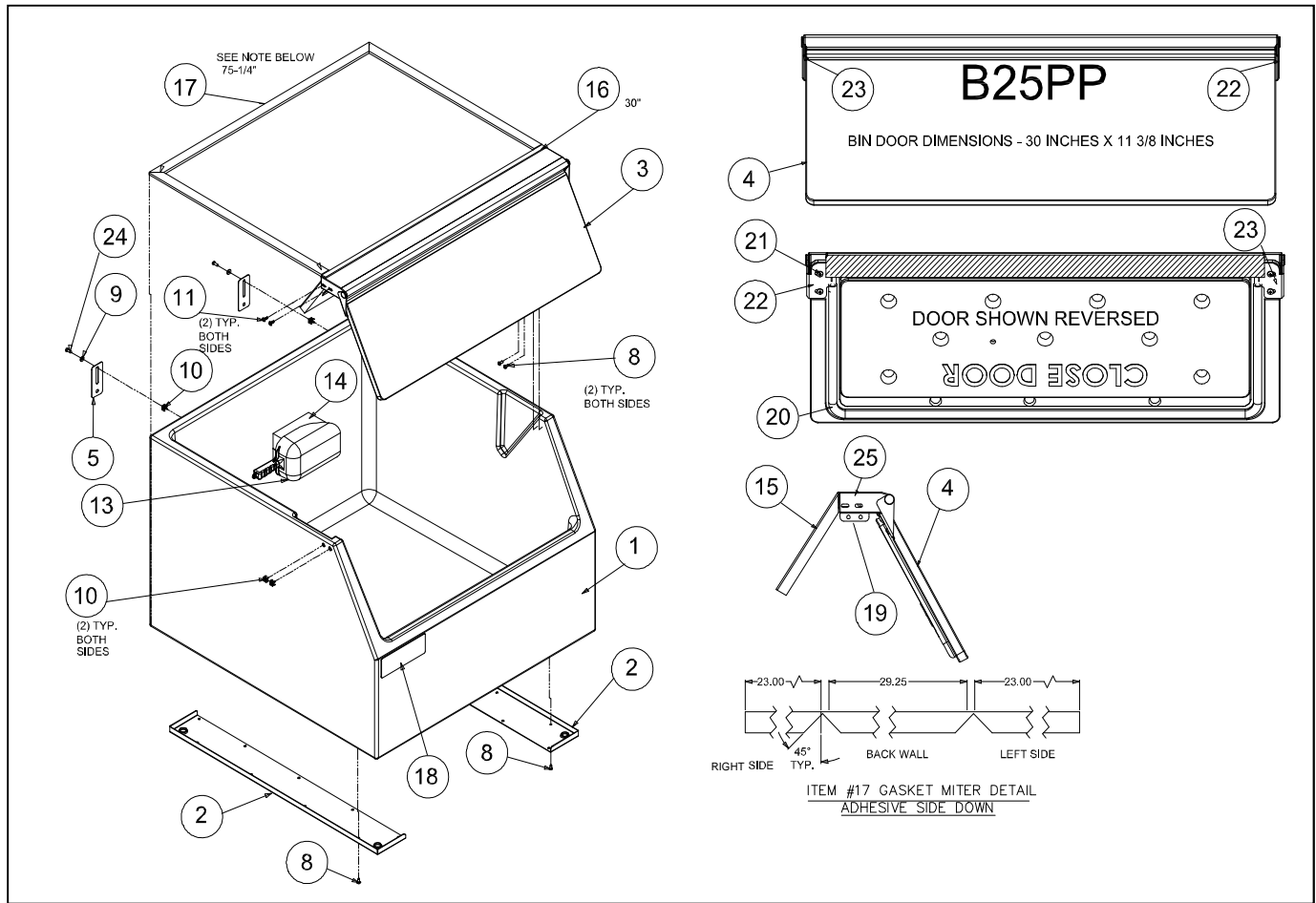
B25PP From Serial Number 1507 <u>1280013855</u>	Page 3
---	---------------

B42B	Page 4
B40B	Page 4
B55B	Page 4
B100B	Page 4
B110B	

B42B	Page 5
B40B	Page 5
B55B	Page 5
B100B	Page 5
B110B	

RED=NLA-NR NO LONGER AVAILABLE-NO REPLACEMENT	
B75	Page 6
B70-B90	Page 7
B120,B130, B150, B170	Page 8

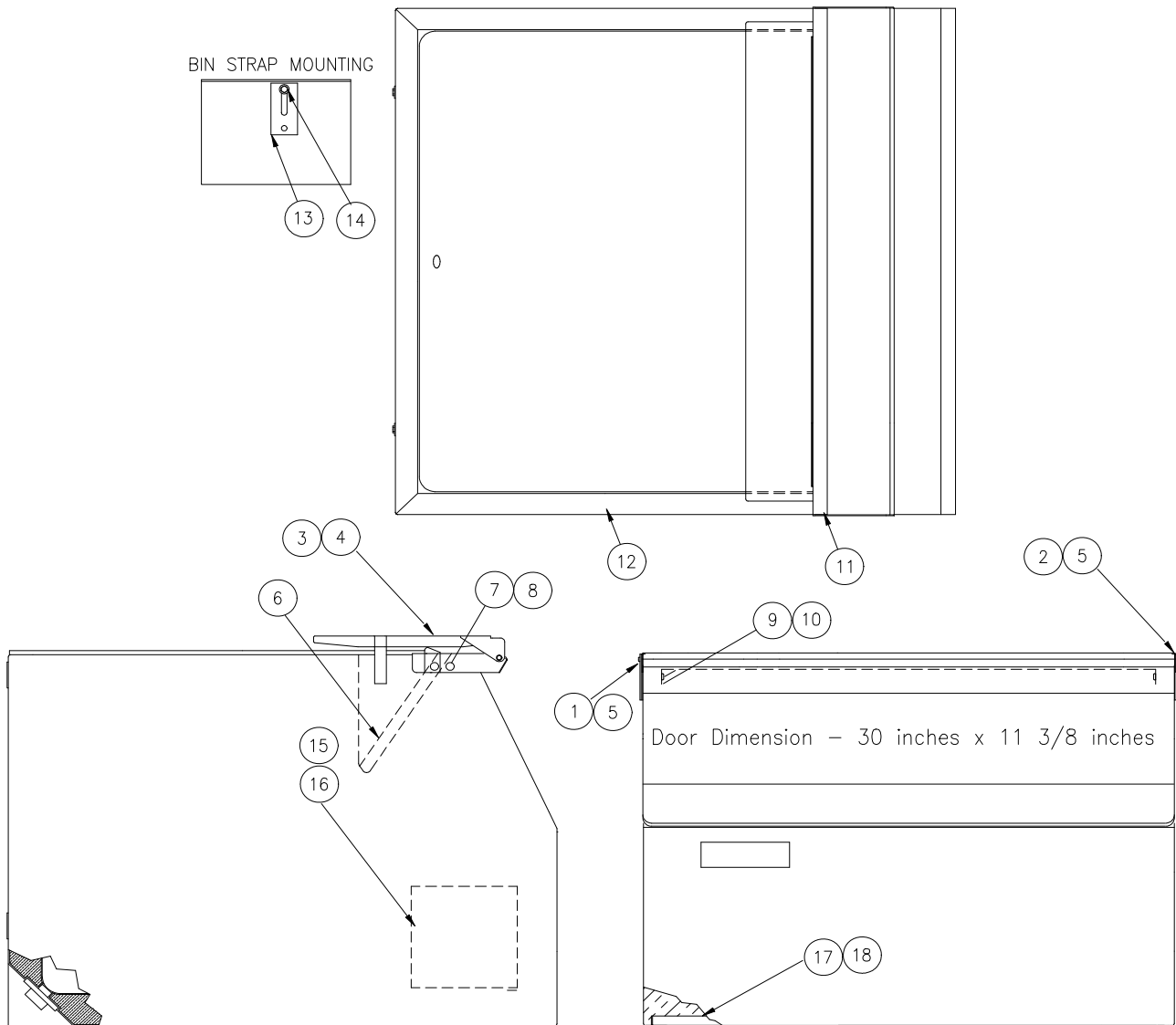
From Serial Number 13011320011089 to 15031320014759



From Serial Number 13011320011089 to 15031320014759

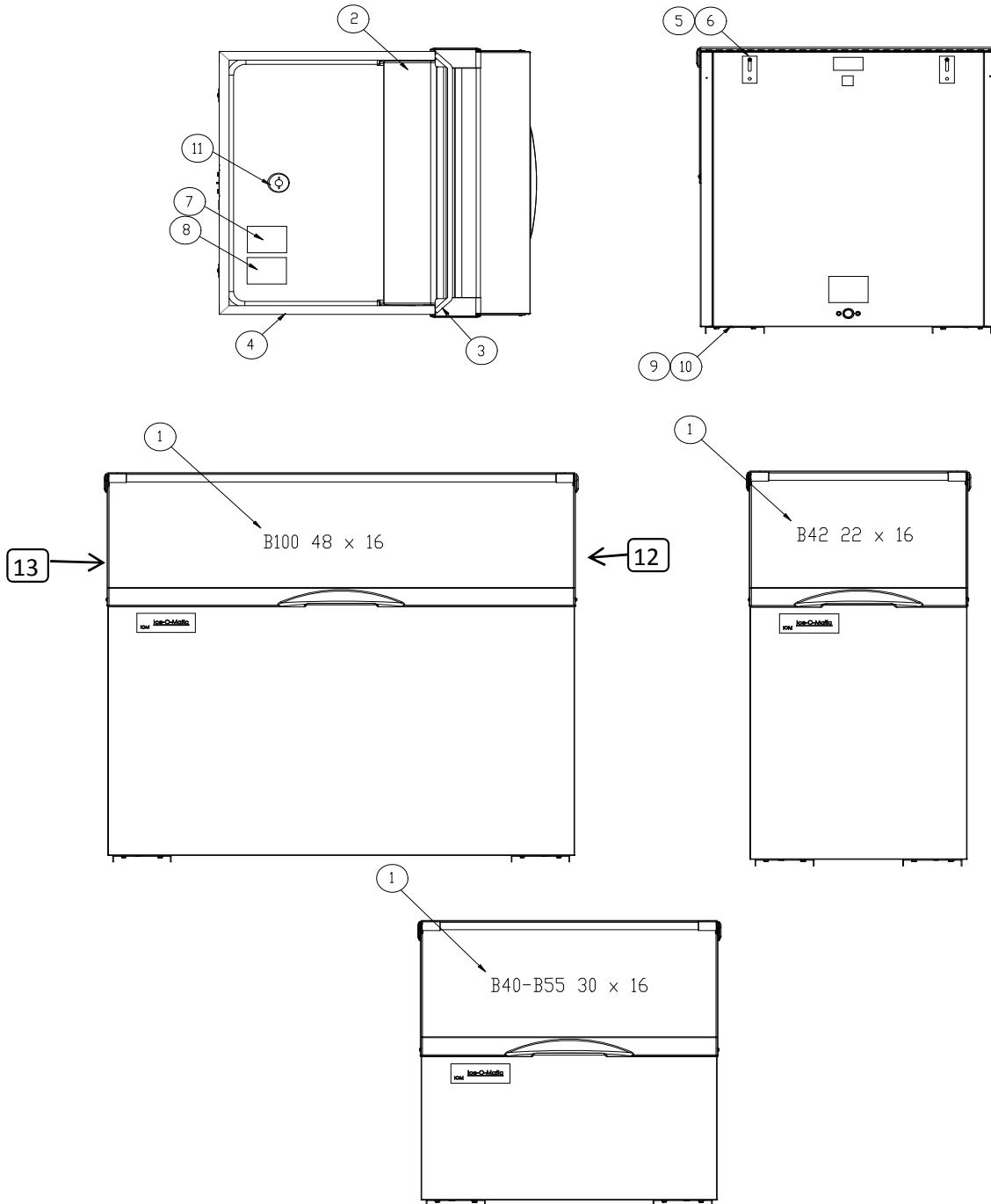
Item	Part Number	Description
1	1011515-01	Bin Assembly (Box Only)
2	1011515-02	Leg Support
3	1011515-03	Door / Shield Assembly (Includes Items 4,15,19,20,21,22,23 and 25)
4	1011515-04	Bin Door (Less Gasket see Item 20)
5	3012608-01	Bin Connecting Strap
6	1011515-06	Skid
7	1011515-07	Carton
8	1011515-08	Screw #10 x 1/2 PH SS (Stiffner Screws)
9	9031003-10	Flat Washer #10
10	9031141-01	Plastic Nut
11	1011515-11	Screw #10 x 1/2 Truss HD S.S.
12	1011515-12	Bolt, 5/8-11 x 1 1/4 (Bin to Skid)
13	9051127-01	Bin Scoop
14	1011515-14	Leg Set (5/8 x 11 Thread)
15	1011515-15	Ice Deflector Drip Shield
16	1011515-16	Drip Shield Gasket (Gasket 1/8 x 1/2 x 30 inches)
17	1011515-17	Bin Perimeter Gasket (Gasket 1/4 x 1 x 75.25 inches)
18	9031001-33	IOM Logo
19	1011515-19	Drip Shield Brace
20	1011515-20	Bin Door Gasket (45 Inches Required)
21	9031008-15	Door Hinge Screw
22	1011515-22	Hinge Bracket Right Hand
23	1011515-23	Hinge Bracket Left Hand
24	9031113-03	Screw, Bin Connecting Strap
25	1011515-25	Drip Shields Brace Screw

From Serial Number 15071280013855



From Serial Number 15071280013855

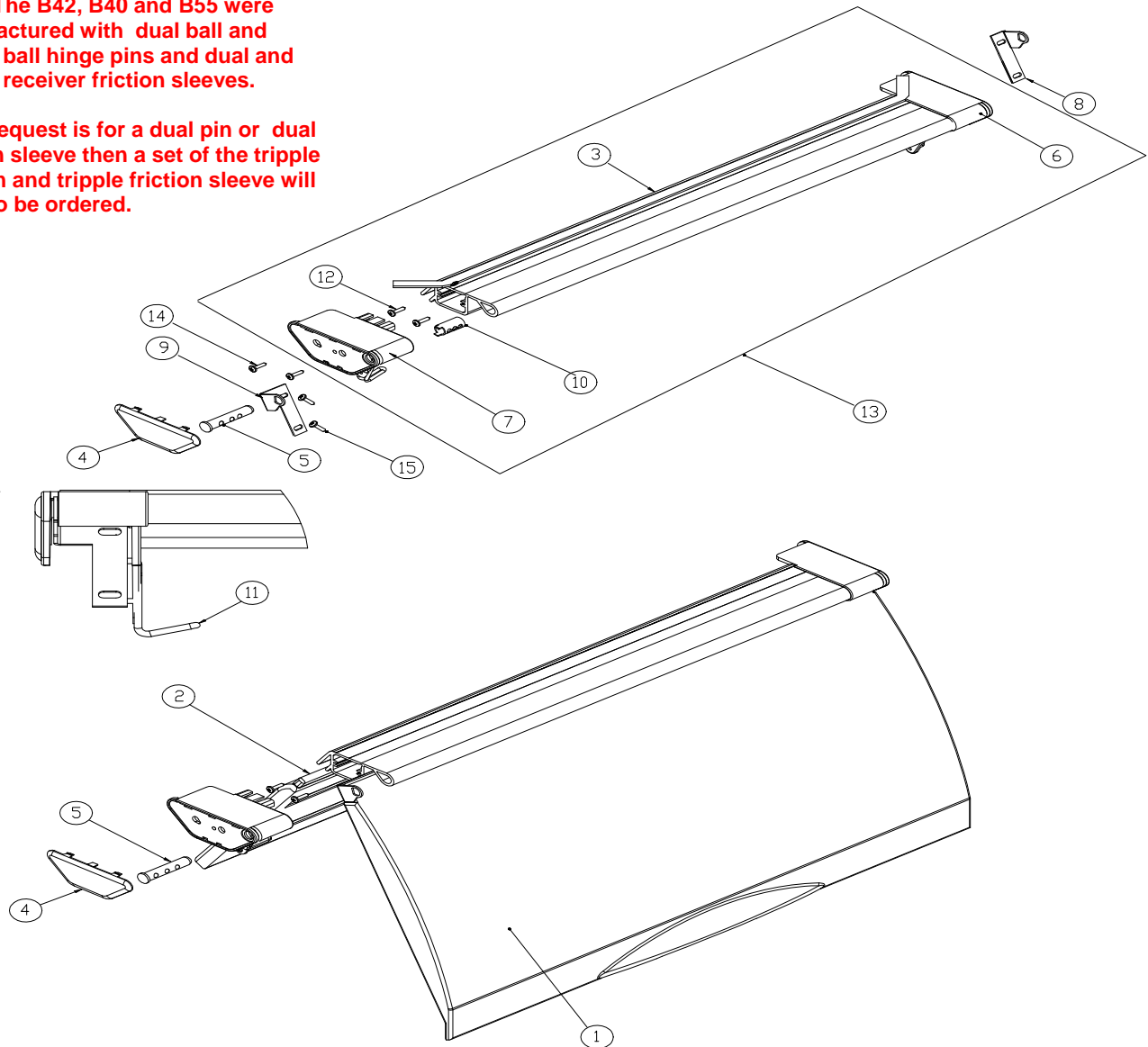
Item	B25PP Bin	Description
1	2031302-01	Pivot Bracket-Left Hand
2	2031302-02	Pivot Bracket-Right Hand
3	2031303-97	Door, 30 x 11.375 Black Only (Includes Gasket)
4	6081036-01	Door Gasket 3.87 Ft. Required
5	9031008-15P	Screw-Pivot Bracket to Door
6	2101252-01	Drip Shield/Ice Deflector (Includes item 9)
7	9031098-05P	Drip Shield Screw
8	9031141-01P	Plastic Nut
9	3012646-03	Drip Shield Stainless Steel Brace
10	9031113-04P	Drip Shield Stainless Steel Brace Screws
11	6081004-07	Drip Shield Gasket 2.50 Ft Required
12	6081004-06	Bin Perimeter Gasket 6.42 Ft. Required
13	3012608-01	Connecting Strap
14	9031113-03P	Connecting Strap Screw
15	9021001-04	Legs (Set of 4)
16	9051127-01	Ice Scoop
17	2031453-01	Leg Support (Includes Nut Retainers)
18	9031012-02P	Leg Nut Retainer



Item	B42B	B40B-B55B	B100B/B110	Description
1	9051559-03	9051559-01	9051559-02	Bin Door, Less Bin Door Brackets
2	9051566-03	9051566-01	9051566-02	Ice Deflector
3	6081004-07	6081004-07	6081004-07	Gasket B100=4.0 ft B40/55=2.52 ft B42=1.85 ft
4	6081037-01	6081037-01	6081037-01	Gasket L Shape B100=7.6 ft B40/55=6.2 ft B42=5.5 ft
5	3012608-01	3012608-01	3012608-01	Connecting Strap
6	9031113-04P	9031113-04P	9031113-04P	Connecting Strap Screw
7	9021001-04	9021001-04	9021001-04	Leg Set (4)
8	9051127-01	9051127-01	9051127-01	Ice Scoop
9	2031310-03S	2031310-03S	2031310-03S	Leg Support (Includes Nut Retainers)
10	9031012-02P	9031012-02P	9031012-02P	Nut Retainer 1/2-13
11	9051126-01	9051126-01	9051126-01	Drain Plug
12	9051569-01	9051569-01	9051569-01	Trim Strip, Right Hand
13	9051569-02	9051569-02	9051569-02	Trim Strip, Left Hand

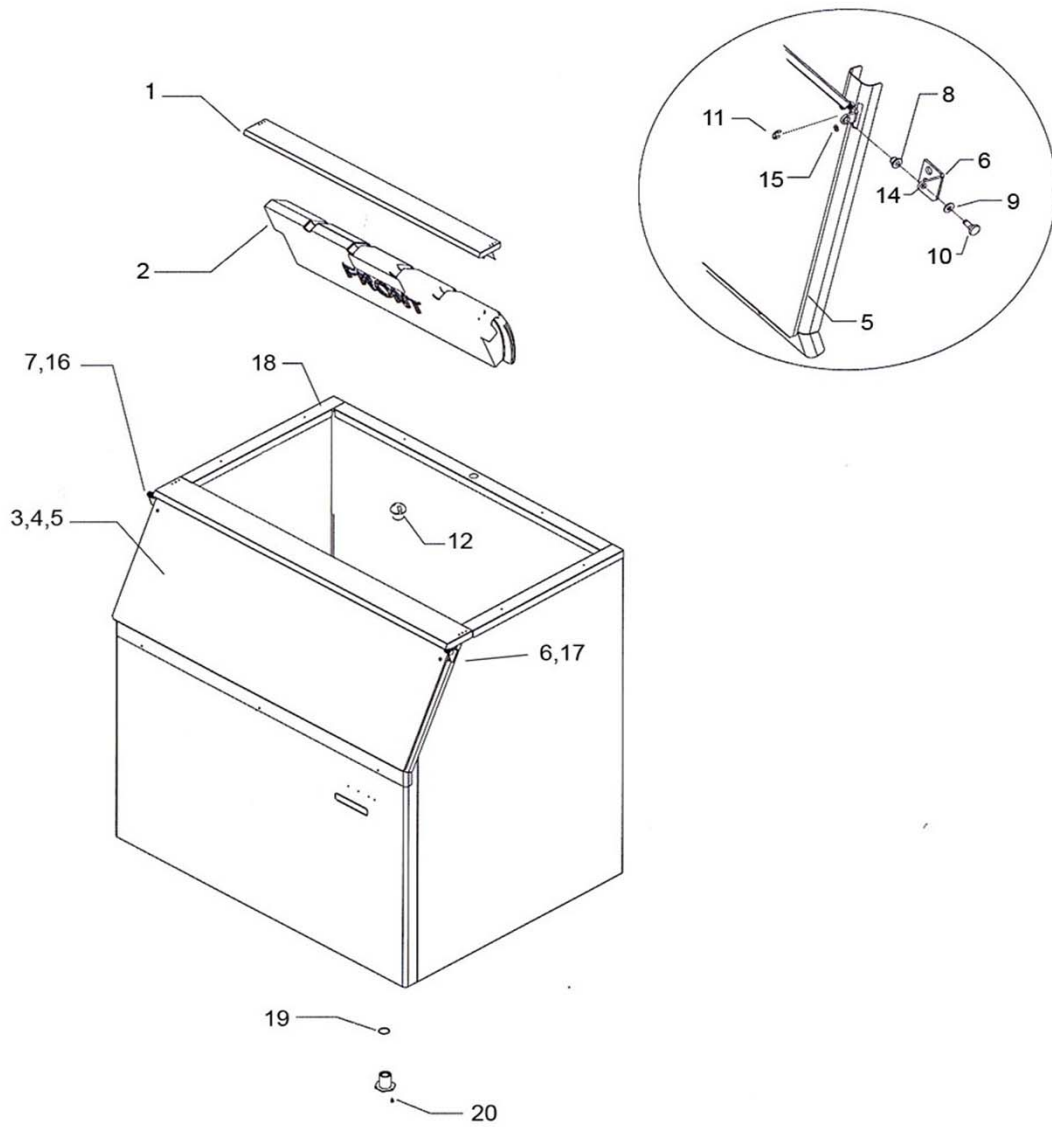
Note: The B42, B40 and B55 were manufactured with dual ball and tripple ball hinge pins and dual and tripple receiver friction sleeves.

If the request is for a dual pin or dual friction sleeve then a set of the tripple ball pin and tripple friction sleeve will need to be ordered.

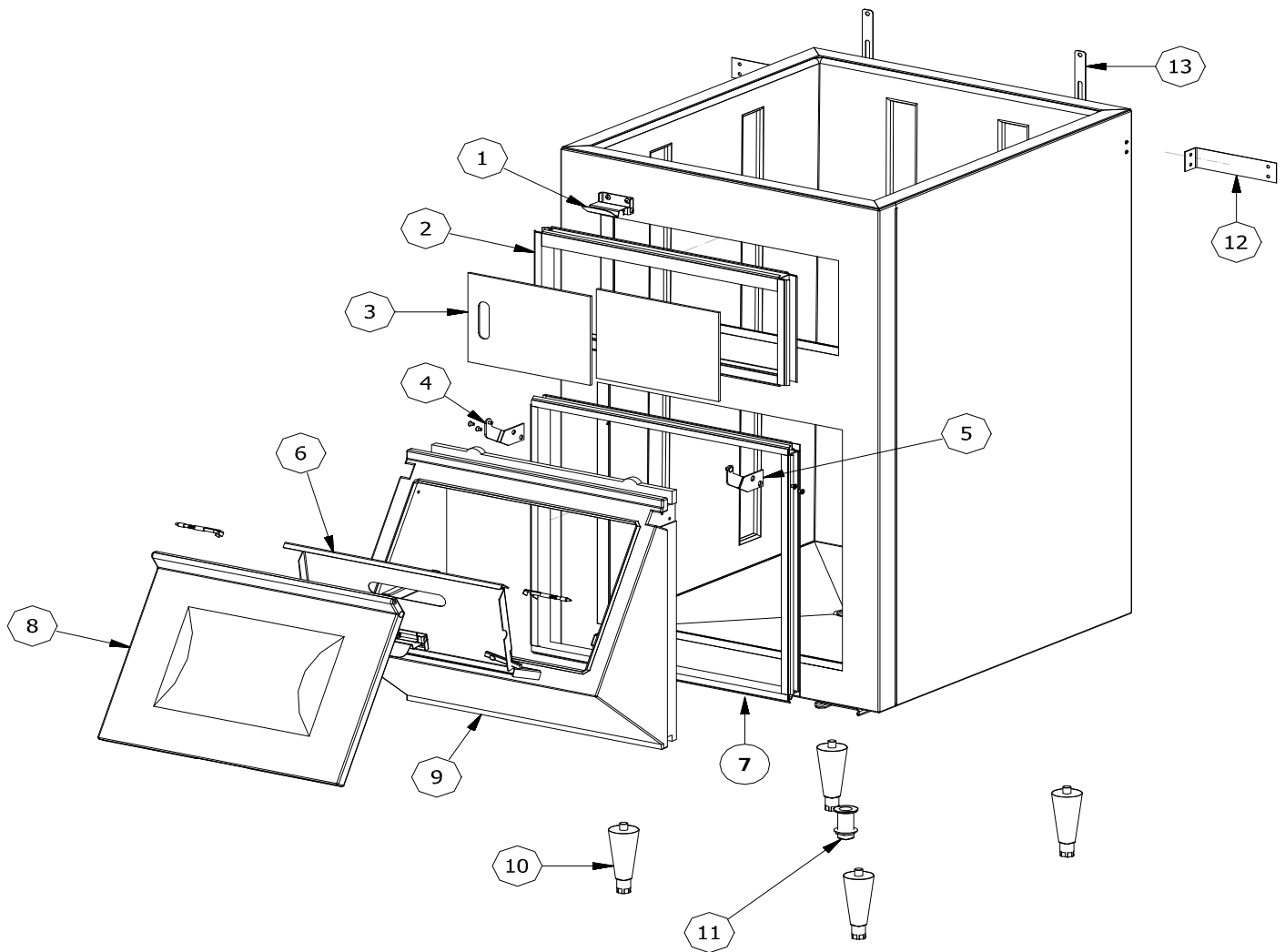


Item	B42B	B40B-B55B	B100B/B110	Description
1	9051559-03	9051559-01	9051559-02	Bin Door, Less Bin Door Brackets
2	9051566-03	9051566-01	9051566-02	Ice Deflector
3	9051629-03	9051629-01	9051629-02	Drip Shield (9051561-01,-02,-03 are NLA)
4	9051567-01	9051567-01	9051567-01	End Cap Cover
5	See Notes	See Notes	9021110-02	Pin, Hinge (Triple)
5	NLA	NLA		Pin, Hinge (Double) See Note Below
6	9051560-01	9051560-01	9051560-01	End Cap, Right
7	9051560-02	9051560-02	9051560-02	End Cap, Left
8	3013360-01	3013360-01	3013360-01	Bracket, Bin Door Right
9	3013360-02	3013360-02	3013360-02	Bracket, Bin Door Left
10	See Notes	See Notes	9021109-02	Sleeve, Friction (Triple)
10	NLA	NLA		Sleeve, Friction (Dual) See Note Below
11	9131471-02	9131471-02	9131471-02	Hanger, Ice Scoop (9131471-02 is NLA)
12	9031113-03P	9031113-03P	9031113-03P	Screw, Drip Shield to End Cap (2 per Side)
13	2101452-03S	2101452-01S	2101452-02S	Drip Shield Assembly (Includes Item 3,6,7,10,11 and 12)
14	9031098-05P	9031098-05P	9031098-05P	Screw, Drip Shield Assembly to Bin Side Panel (2 Per Side)
15	9031008-15P	9031008-15P	9031008-15P	Screw, Bin Door Hinge (2 per Hinge Required)

Note: The Double Ball Hinge Pin and Double Friction Sleeve are No Longer Available
 The Triple Ball Hinge Pin and Triple Ball Friction Sleeve must be ordered.

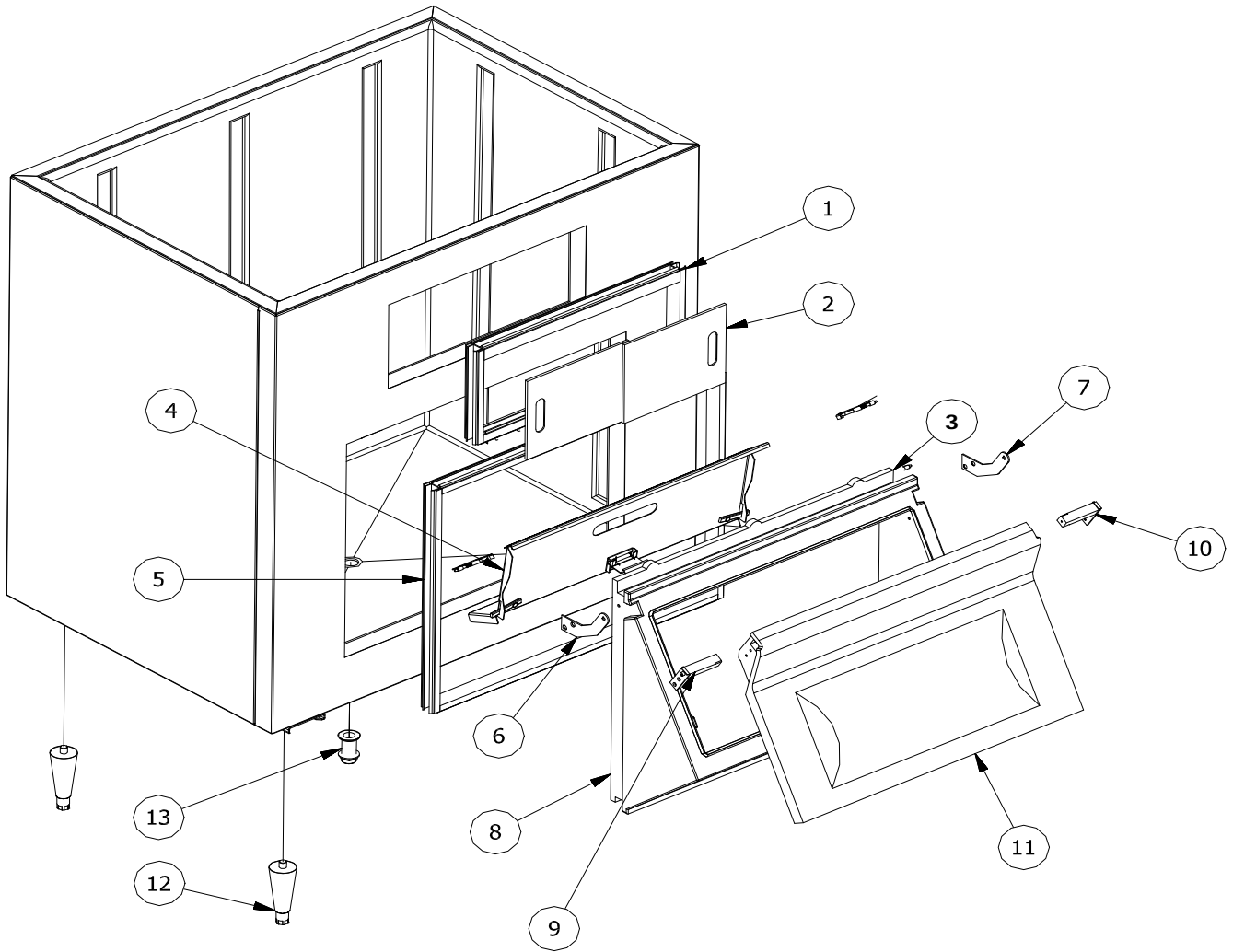


Item	B75	Description
1	1011369-01	Canopy
2	1011369-02	Baffle
3	1011369-03	Door Assembly
4	1011369-04	Drip Molding
5	1011369-05	Door Gasket (10 Feet Required)
6	1011369-06	Hinge R/H
7	1011369-07	Hinge L/H
8	1011369-08	Hinge Bushing
9	1011369-09	Hinge Spacer
10	1011369-10	Shoulder Screw
11	1011369-11	E-Clip
12	1011369-12	Drain Top
13	1011369-13	Legs, Painted (Set of 4)
14	1011369-14	Screw - Hinge to Frame
15	1011369-15	Screw - Hinge to Door
16	1011369-16	Door Hinge L/H
17	1011369-17	Door Hinge R/H
18	1011339-104	Gasket
19	1011351-69	O-Ring
20	1011351-05	Drain Bottom



Item	B70	B90	Description
1	1011457-29	1011457-29	Snout Door Catch Bracket
2	1011457-12	1011457-12	View Window Extrusion Kit
3	1011457-13	1011457-13	View Window (2 ea.)
4	1011457-26	1011457-26	Poly Snout Door Hinge Left Hand
5	1011457-27	1011457-27	Poly Snout Door Hinge Right Hand
6	1011457-18	1011457-18	Snout Baffle
7	1011457-14	1011457-14	Poly Snout Extrusion Kit
8	1011457-20	1011457-20	Poly Snout Door
9	1011457-22	1011457-22	Poly Snout
10	1011457-24	1011457-24	Leg (Set of 4)
11	1011457-25	1011457-25	Plastic Drain
12	1011457-04	1011457-04	Wall Bracket (2 ea.)
13	1011457-05	1011457-05	Ice Maker Bracket (2 ea.)
	1011457-07	1011457-07	B70/90 30 Inch Adapter Top
	1011457-06	1011457-06	B70/90 1506 Adapter Top
	1011457-01	1011457-01	48 inch Paddle
	1011457-02	1011457-02	60 inch Paddle
	1011457-03	1011457-03	Ice Paddle Bracket

RED=NLA-NR NO LONGER AVAILABLE-NO REPLACEMENT



Item	B120	B130	B150	B170	Description
1	1011457-12	1011457-12	1011457-12	1011457-12	View Window Extrusion Kit
2	1011457-13	1011457-13	1011457-13	1011457-13	View Window (2 ea.)
3	1011457-28	1011457-28	1011457-28	1011457-28	Snout Assembly (Includes 4,6,7,8,9,10 & 11)
4	1011457-19	1011457-19	1011457-19	1011457-19	Snout Baffle
5	1011457-15	1011457-15	1011457-15	1011457-15	Poly Snout Extrusion Kit
6	1011457-27	1011457-27	1011457-27	1011457-27	Poly Snout Door Hinge Right Hand
7	1011457-26	1011457-26	1011457-26	1011457-26	Poly Snout Door Hinge Left Hand
8	1011457-23	1011457-23	1011457-23	1011457-23	Poly Snout
9	1011457-17	1011457-17	1011457-17	1011457-17	Spring Loaded Snout Door Hinge Left Hand
10	1011457-16	1011457-16	1011457-16	1011457-16	Spring Loaded Snout Door Hinge Right Hand
11	1011457-21	1011457-21	1011457-21	1011457-21	Poly Snout Door
12	1011457-24	1011457-24	1011457-24	1011457-24	Leg (Set of 4)
13	1011457-25	1011457-25	1011457-25	1011457-25	Plastic Drain

1011457-01	1011457-01	1011457-01	1011457-01	48 inch Paddle
1011457-02	1011457-02	1011457-02	1011457-02	60 inch Paddle
1011457-03	1011457-03	1011457-03	1011457-03	Ice Paddle Bracket
1011457-08	1011457-08	NA	NA	48 inch Poly Top
NA	NA	1011457-09	1011457-09	60 inch Poly Top
1011457-10	1011457-10	1011457-10	1011457-10	9 inch Filler Panel
1011457-11	1011457-11	1011457-11	1011457-11	13 inch Filler Panel

RED=NLA-NR NO LONGER AVAILABLE-NO REPLACEMENT