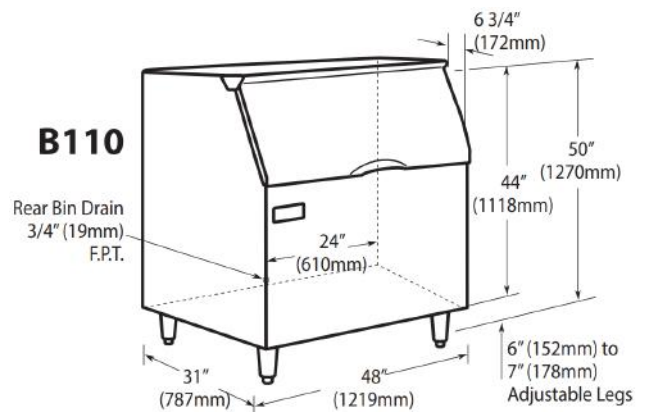


# Ice-O-Matic Ice Bin Model B110PS Reduced Price



Part # B110PSB  
Serial # 20101280010562



**Price \$750**

*B110PS slope front ice bin stores  
up to 854 lbs of ice*

## Features

- Durable aluminum finish prevents corrosion
- Polyethylene bin liner is insulated with foam for maximum ice preservation
- Use a BPF-1 filler panel kit for any Ice-O-Matic 30" modular ice machine (no need for KBT5 bin top)
- 48" bin tops available to mount nugget, flake or dual ice makers
- Built-in ice scoop holder
- 6" sturdy adjustable legs, NSF approved
- Rear bin drain
- Shipping weight: 163 lbs

## Please Note

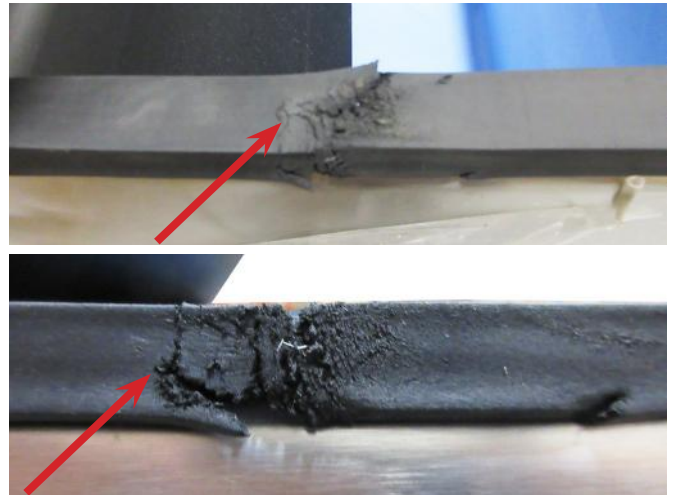
- Minor damage to the L-shape top gasket (see page 2 for pictures)

*Only one unit available.*

# B110PSB Serial # 20101280010562 Ice Bin



Minor gasket damage



Minor gasket damage close-ups

DISPENSING *Refreshing* RESULTS