

# Multiplex Beverage Equipment Installation Instructions for Installation of the Auto Drain Kit

P.N. 00217845

## How to install the auto drain kit

1. Select the desired location for the Auto Drain assembly.

**Note:** This assembly must be mounted below the Air Compressor Tank.

2. Attach the Auto Drain assembly to the wall with the screws supplied with the kit.

**Note:** Screws supplied with the kit are for mounting to a wood stud. If any other surface is used, the mounting hardware will need to be supplied.

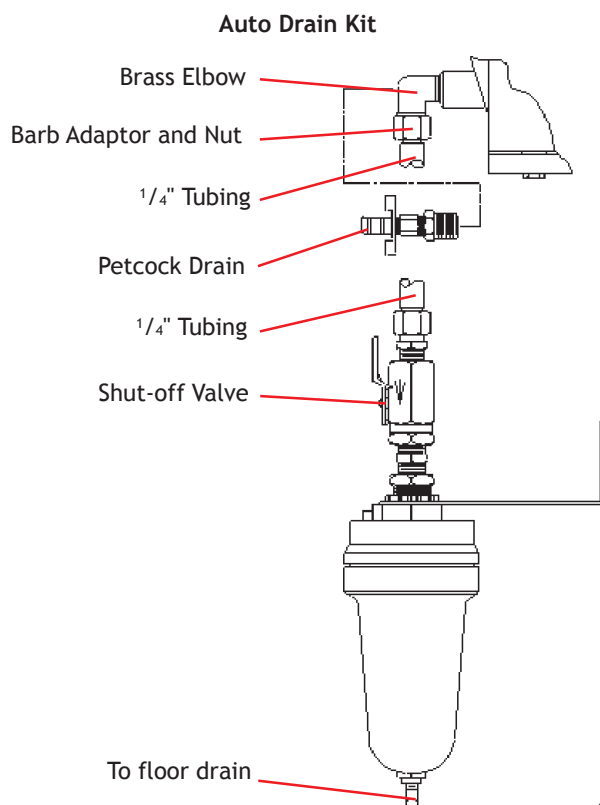
3. Disconnect the Air Compressor from the power source. Empty the holding tank by opening the Relief Valve located on the assembly.
4. Locate the Brass Elbow that is supplied with the kit. Remove the current Petcock Drain from the Air Tank. Replace with the Brass Elbow.

**Note:** Thread sealant must be used on this connection.

5. Locate the clamps, Barb adaptor, nut, seal washers, and 1/4" tubing supplied in the kit.

**Note:** Kit is supplied with 20 ft (6.1 m) of tubing. Use 10 ft (3 m) for connecting for the Air Compressor Tank to the Auto Drain. Use the other 10 ft (3 m) to run the drain line from the bottom fitting to the drain.

6. Cut the line in half. Connect one (1) line to the Barb fitting at the bottom of the Auto Drain. Clamp in place the one (1) clamp provided in the kit. Route this line to the floor drain.
7. Attach a Barb adaptor and nut to one (1) end of the other line. Clamp in place. Attach this end to the elbow on the air tank using one (1) seal washer (supplied with the kit).
8. Close the relief valve on the air pump and reconnect to the power source. Check all connection for leaks. Make sure the Shut-off Valve on top of the Auto Drain is open.



**Reference Pattern for Bracket Mounting Hole**

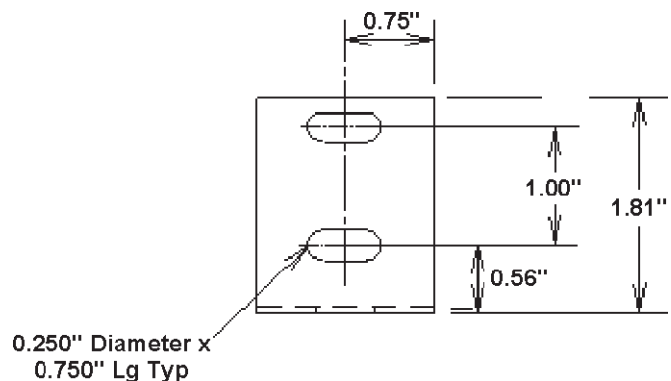


Figure 1

## Manitowoc Beverage Equipment

2100 Future Drive • Sellersburg, IN 47172-1868  
Tel: 812.246.7000, 800.367.4233 • Fax: 812.246.9922  
www.manitowocbeverage.com

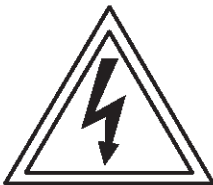
In accordance with our policy of continuous product development and improvement, this information is subject to change at any time without notice.

## Caution: To Avoid Serious Injury

*Important: Read the following warnings before beginning an installation. Failure to do so may result in possible death or serious injury.*

- DO Adhere to all National and Local Plumbing and Electrical Safety Codes.
- DO Turn “off” incoming electrical service switches when servicing, installing, or repairing equipment.
- DO Check that all flare fittings on the carbonation tank(s) are tight. This check should be performed with a wrench to ensure a quality seal.
- DO Inspect pressure on Regulators before starting up equipment.
- DO Protect eyes when working around refrigerants.
- DO Use caution when handling metal surface edges of all equipment.
- DO Handle CO<sub>2</sub> cylinders and gauges with care. Secure cylinders properly against abrasion.
- DO Store CO<sub>2</sub> cylinder(s) in well ventilated areas.
- DO NOT Throw or drop a CO<sub>2</sub> cylinder. Secure the cylinder(s) in an upright position with a chain.
- DO NOT Connect the CO<sub>2</sub> cylinder(s) directly to the product container. Doing so will result in an explosion causing possible death or injury. Best to connect the CO<sub>2</sub> cylinder(s) to a regulator(s).
- DO NOT Store CO<sub>2</sub> cylinders in temperature above 125°F (51.7°C) near furnaces, radiator or sources of heat.
- DO NOT Release CO<sub>2</sub> gas from old cylinder.
- DO NOT Touch Refrigeration lines inside units, some may exceed temperatures of 200°F (93.3°C).

*Notice: Water pipe connections and fixtures directly connected to a potable water supply shall be sized, installed and maintained in accordance with Federal, State, and Local codes.*

	<p><b>WARNING: DANGER OF ELECTRICAL SHOCK</b> Disconnect and lock out all electrical power sources before performing service or maintenance on this machine -- except when electrical tests are being performed by qualified service personnel.</p>
---	---