

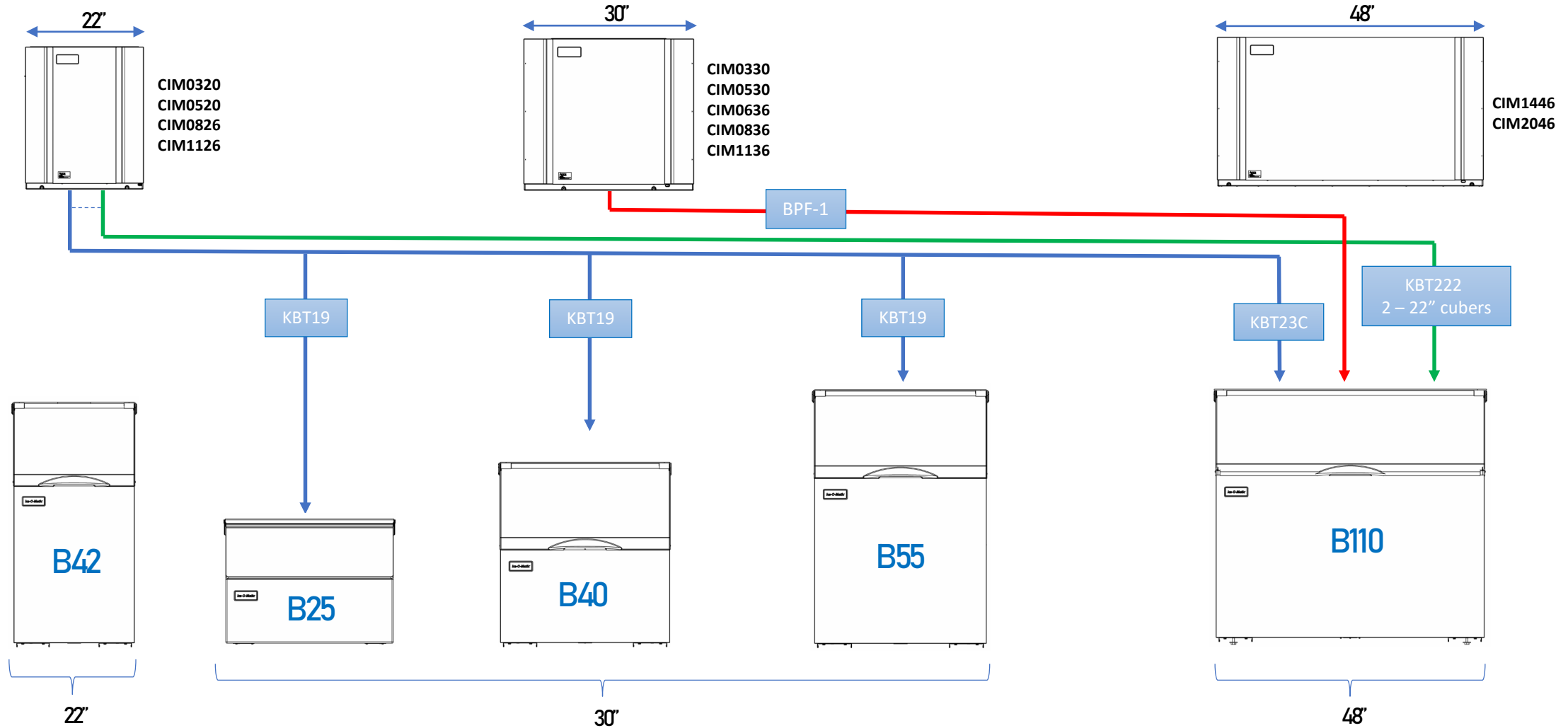
# Bin Top, Adaptors, and Ice Level Control Placement Guide

---

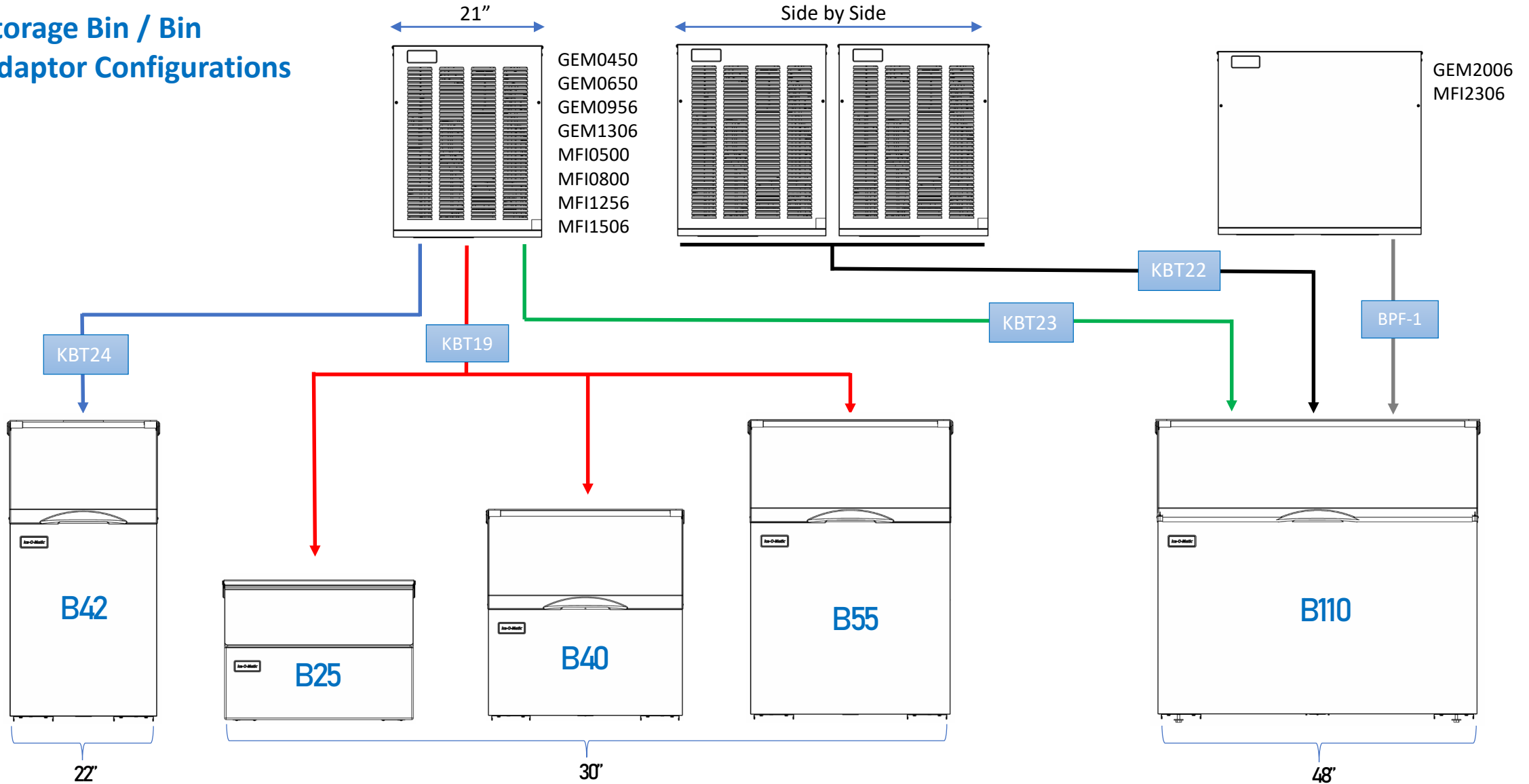


**Ice-O-Matic**   
Ice. Pure and Simple

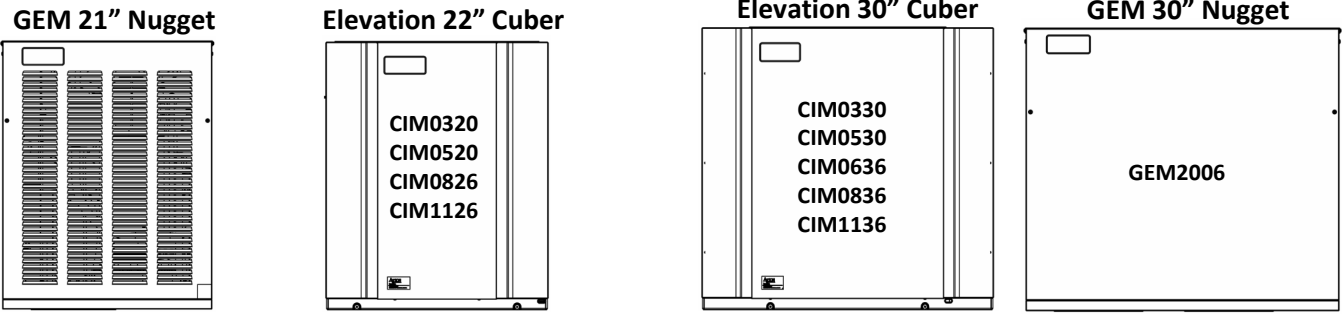
# Modular CIM / Storage Bin / Bin Top Configurations



**Pearl (Nugget)  
Flaker  
Storage Bin / Bin  
Adaptor Configurations**



# Ice & Ice – Beverage Dispenser kit applications

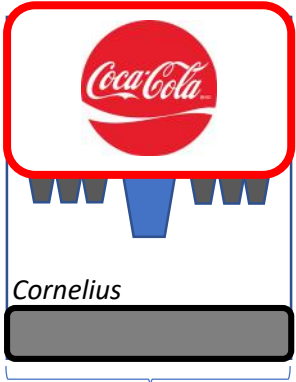


KBT15022

KBT25022

KBT25030

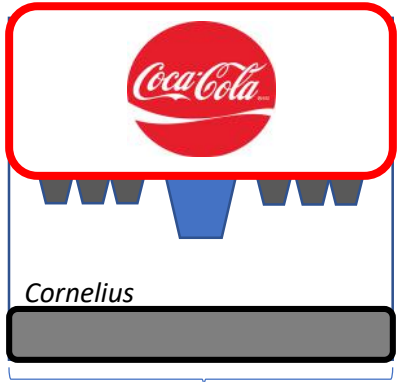
- Kits include:
- bin adaptor
  - Ice level kit (KCUBEDISP - KCUBEDISP)



22"

**IOD150**

Or Cornelius ED equivalent

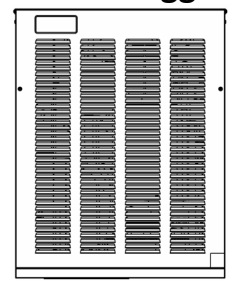


30"

**IOD200 & 250**

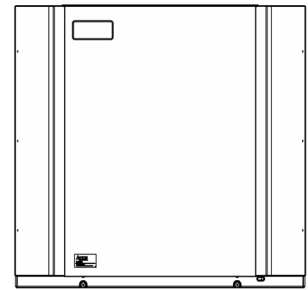
Or Cornelius ED equivalent

**Pearl - Nugget**

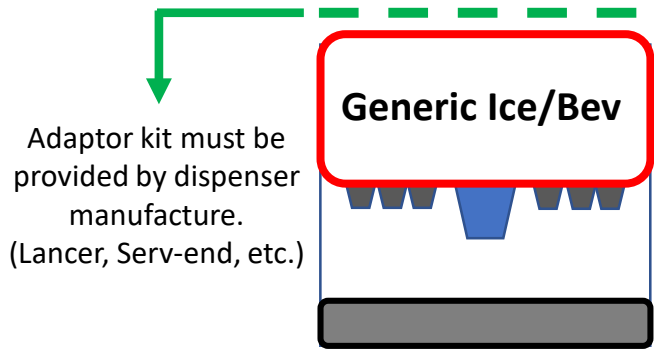


**KGEMDISP**  
Ice level control

**Elevation Cuber**

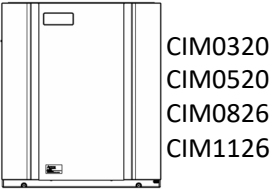


**KCUBEDISP**  
Ice level control

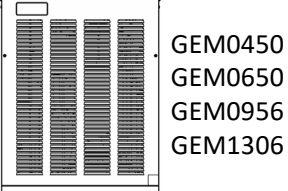


# Coke Freestyle Adaptors and Kits

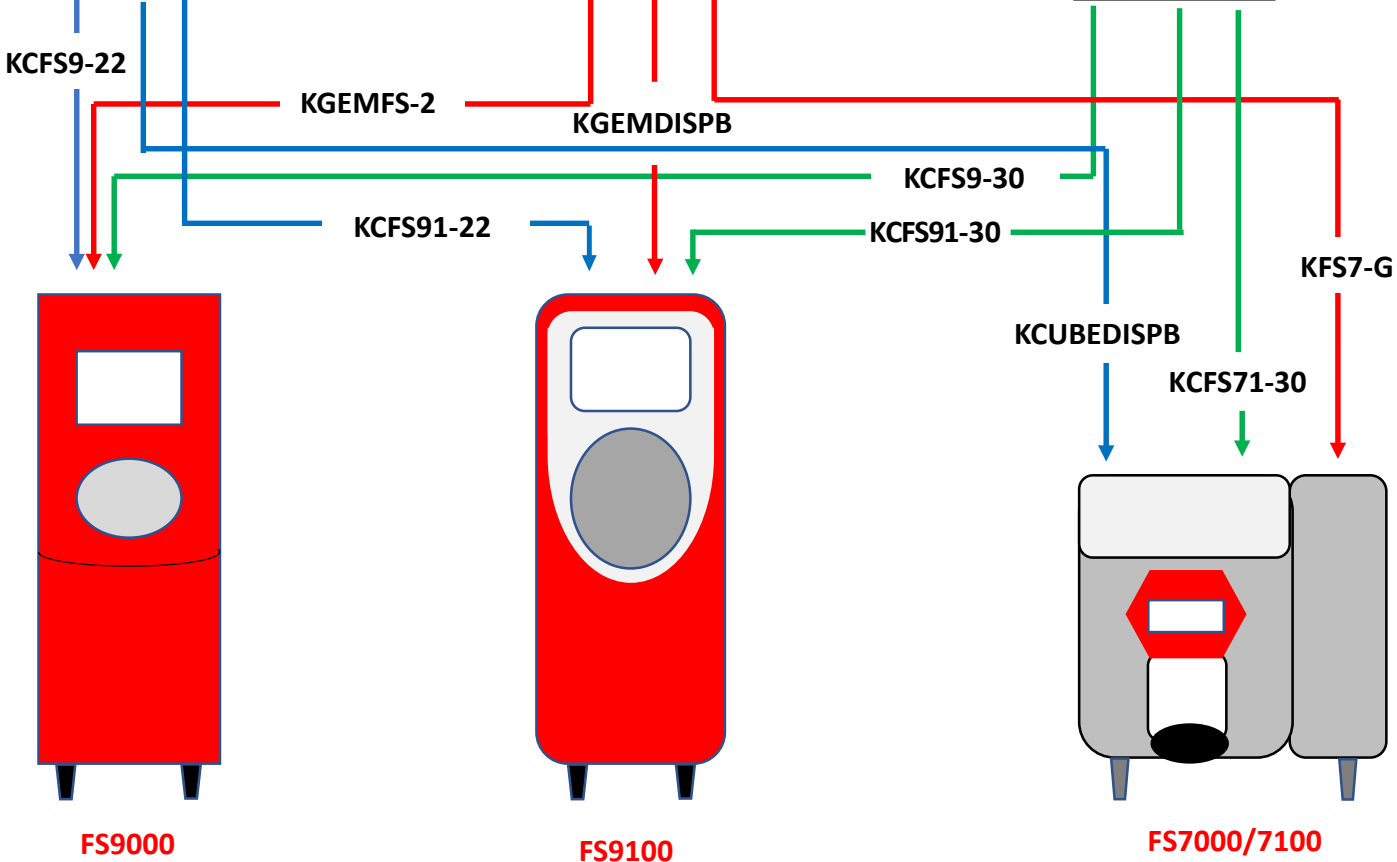
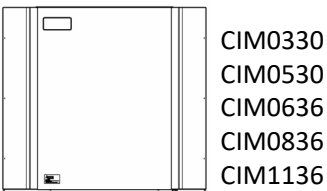
## 22" Elevation Cubers



## Pearl Ice Machines



## 30" Elevation Cubers



All combinations require an adaptor from Coca-Cola, USA. in conjunction with the Ice O Matic kit.