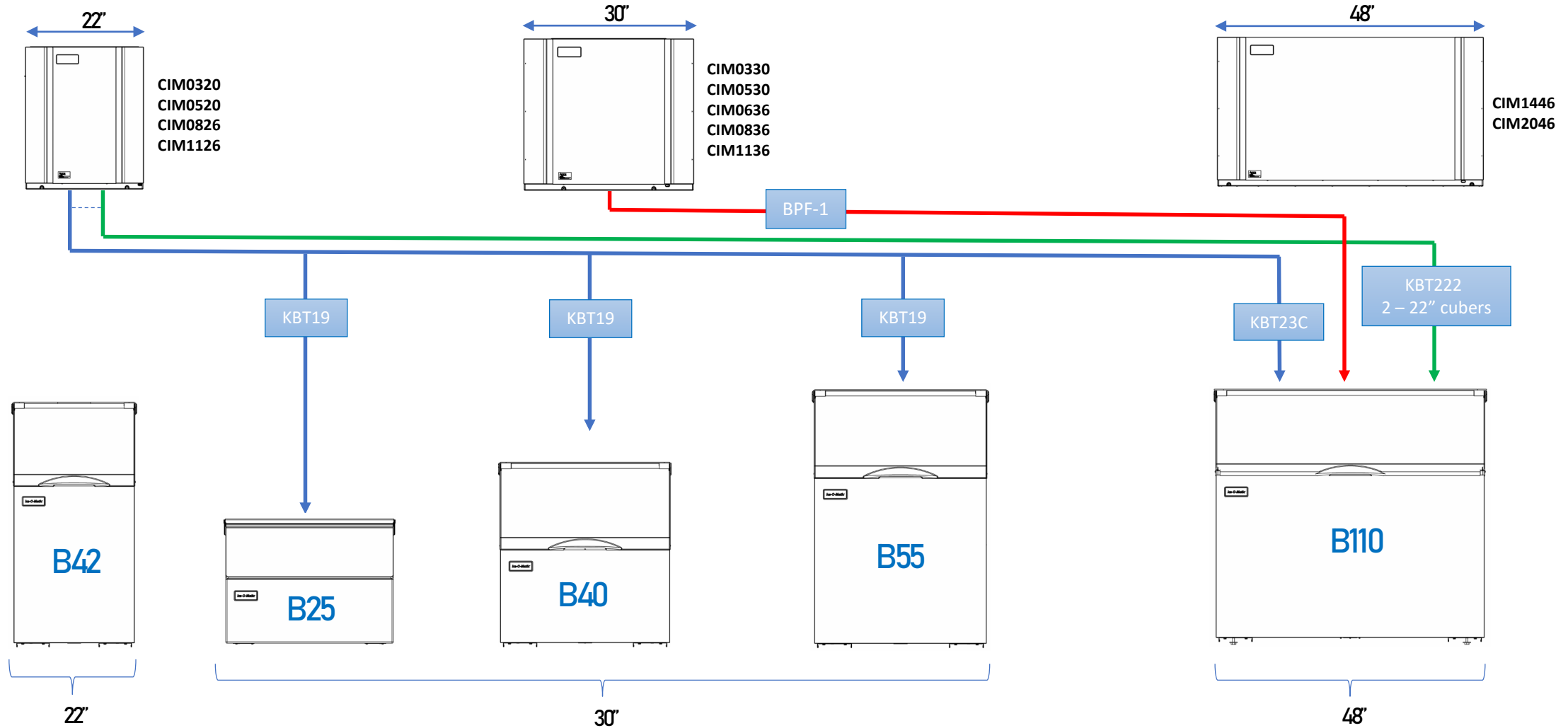


Bin Top, Adaptors, and Ice Level Control Placement Guide

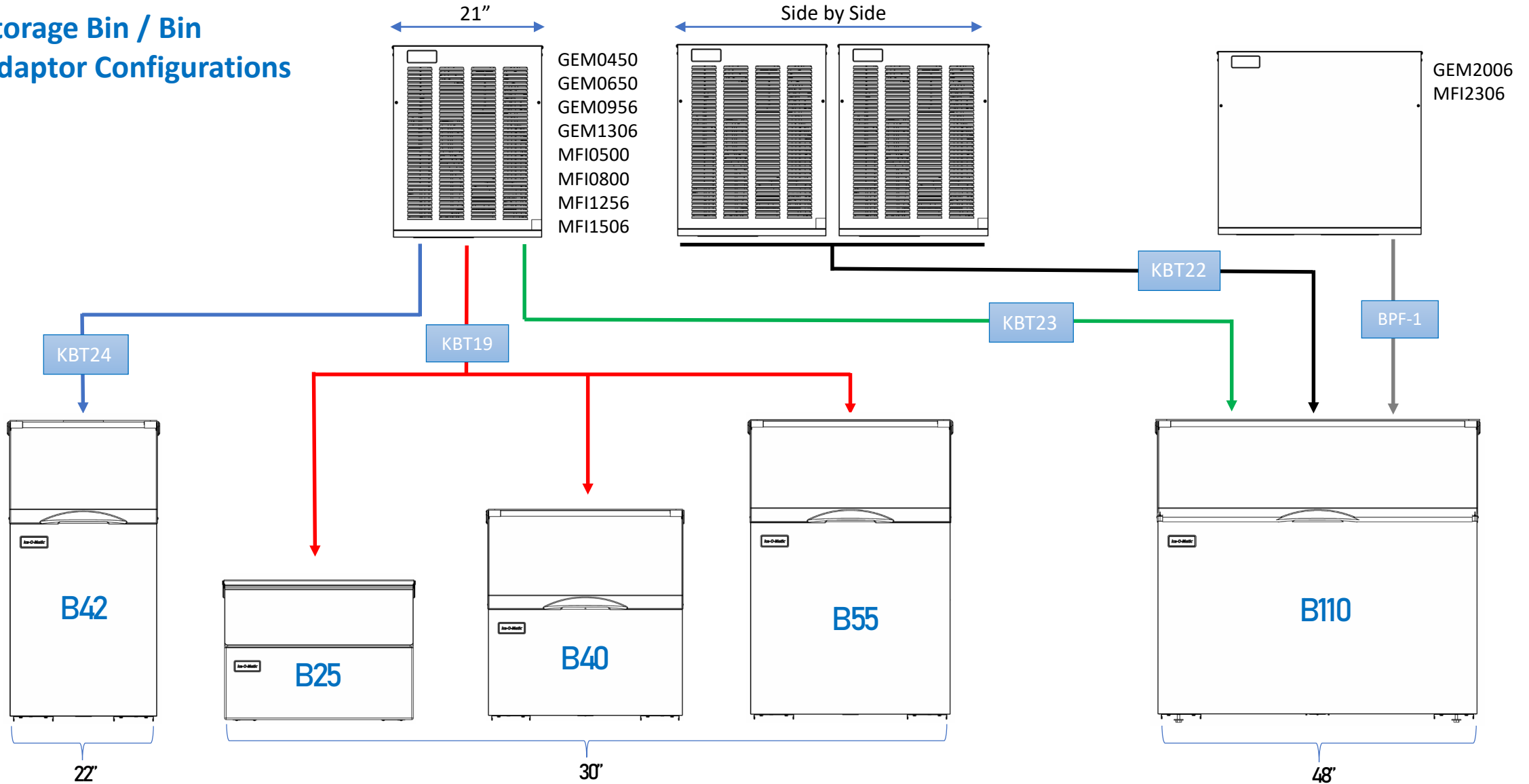


Ice-O-Matic 
Ice. Pure and Simple

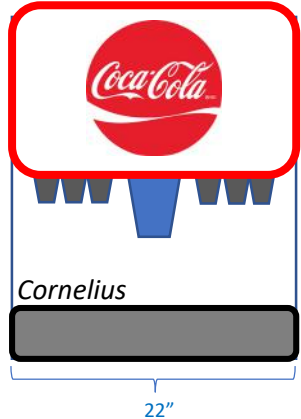
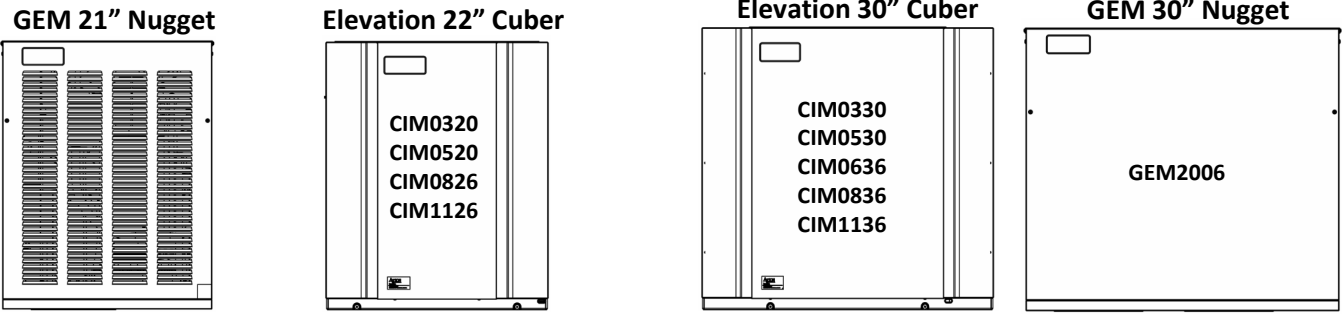
Modular CIM / Storage Bin / Bin Top Configurations



**Pearl (Nugget)
Flaker
Storage Bin / Bin
Adaptor Configurations**



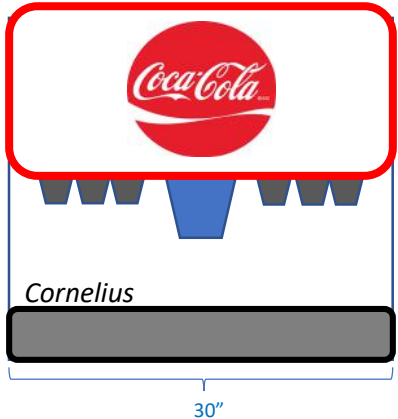
Ice & Ice – Beverage Dispenser kit applications



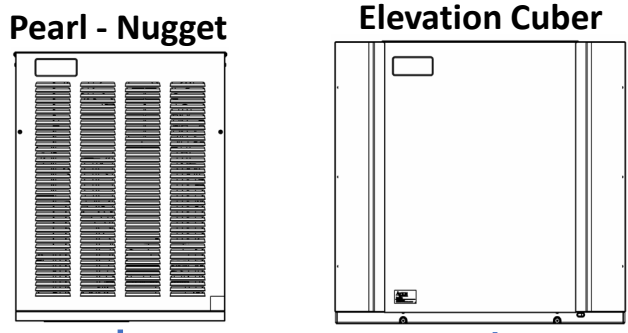
IOD150
 Or Cornelius ED equivalent

Kits include:

- bin adaptor
- Ice level kit (KCUBEDISP - KCUBEDISP)

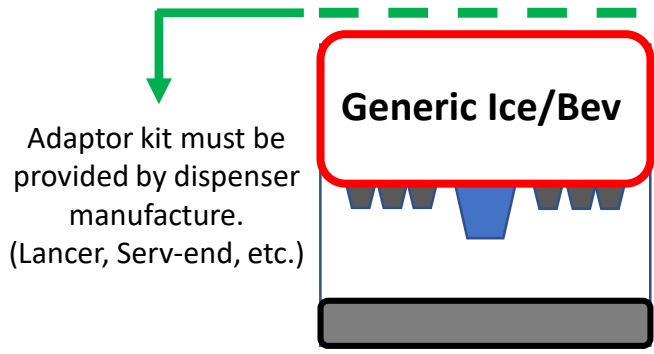


IOD200 & 250
 Or Cornelius ED equivalent



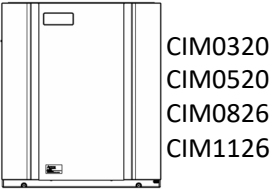
KGEMDISP
 Ice level control

KCUBEDISP
 Ice level control

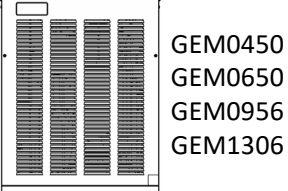


Coke Freestyle Adaptors and Kits

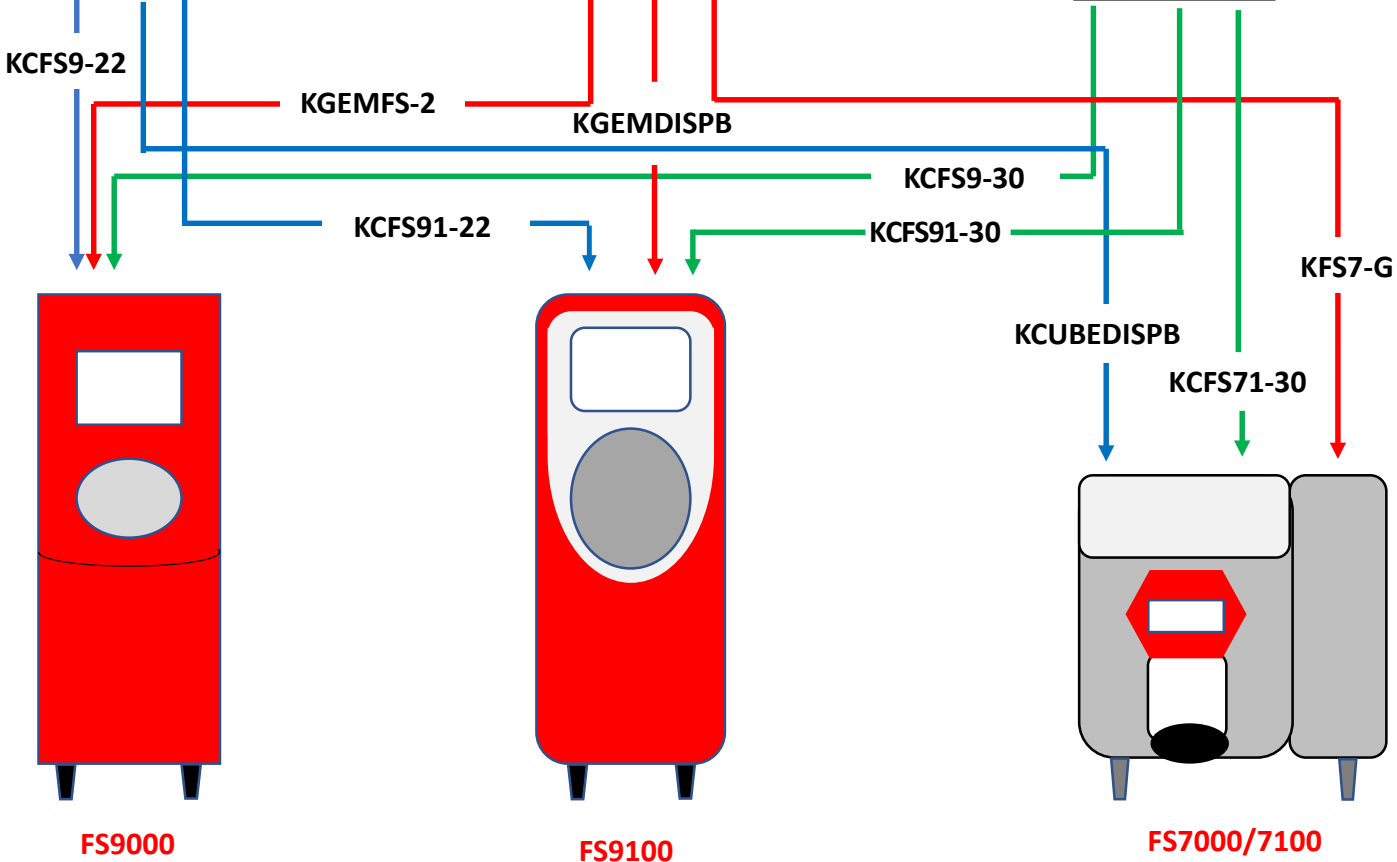
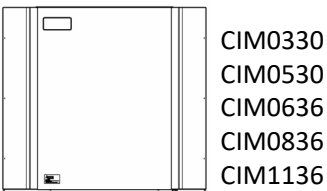
22" Elevation Cubers



Pearl Ice Machines



30" Elevation Cubers



All combinations require an adaptor from Coca-Cola, USA. in conjunction with the Ice O Matic kit.