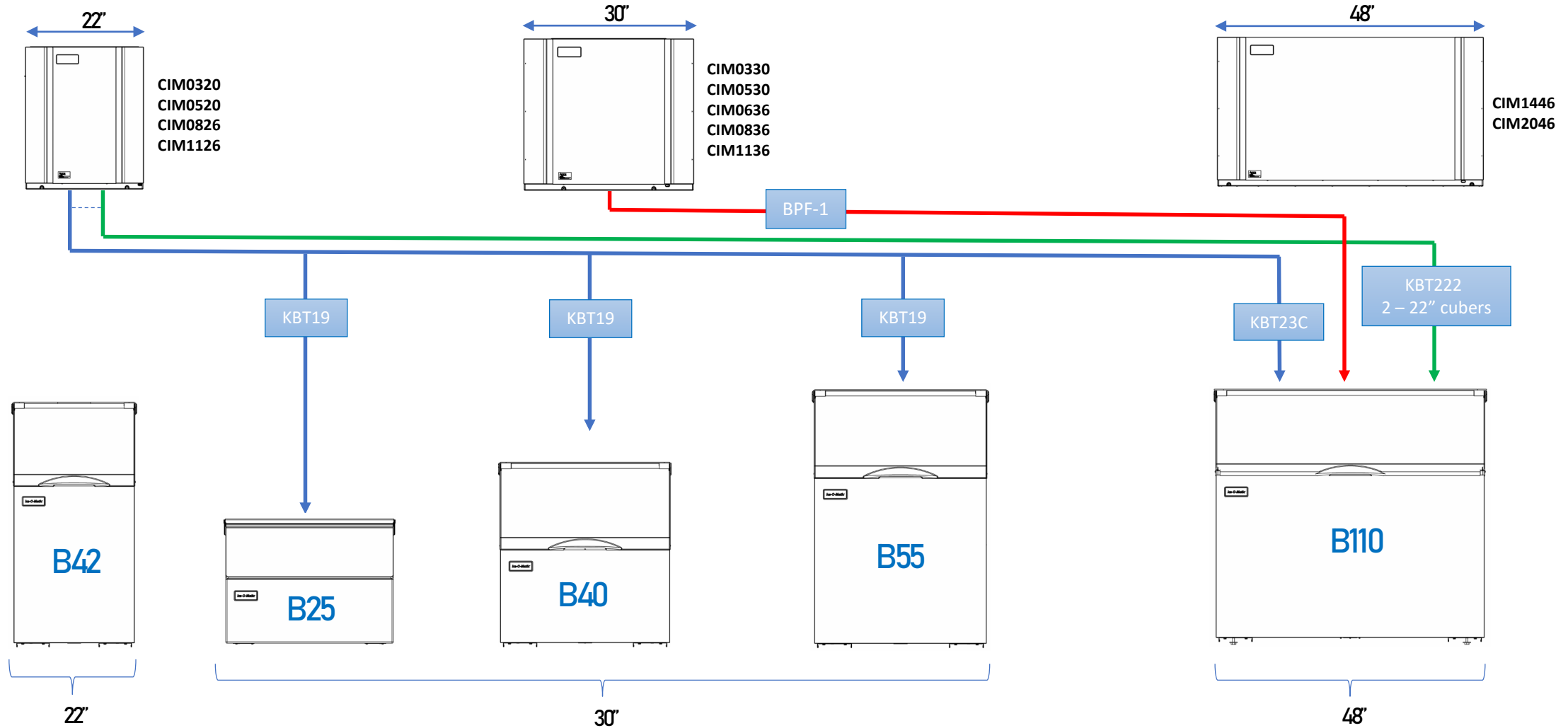


Bin Top, Adaptors, and Ice Level Control Placement Guide

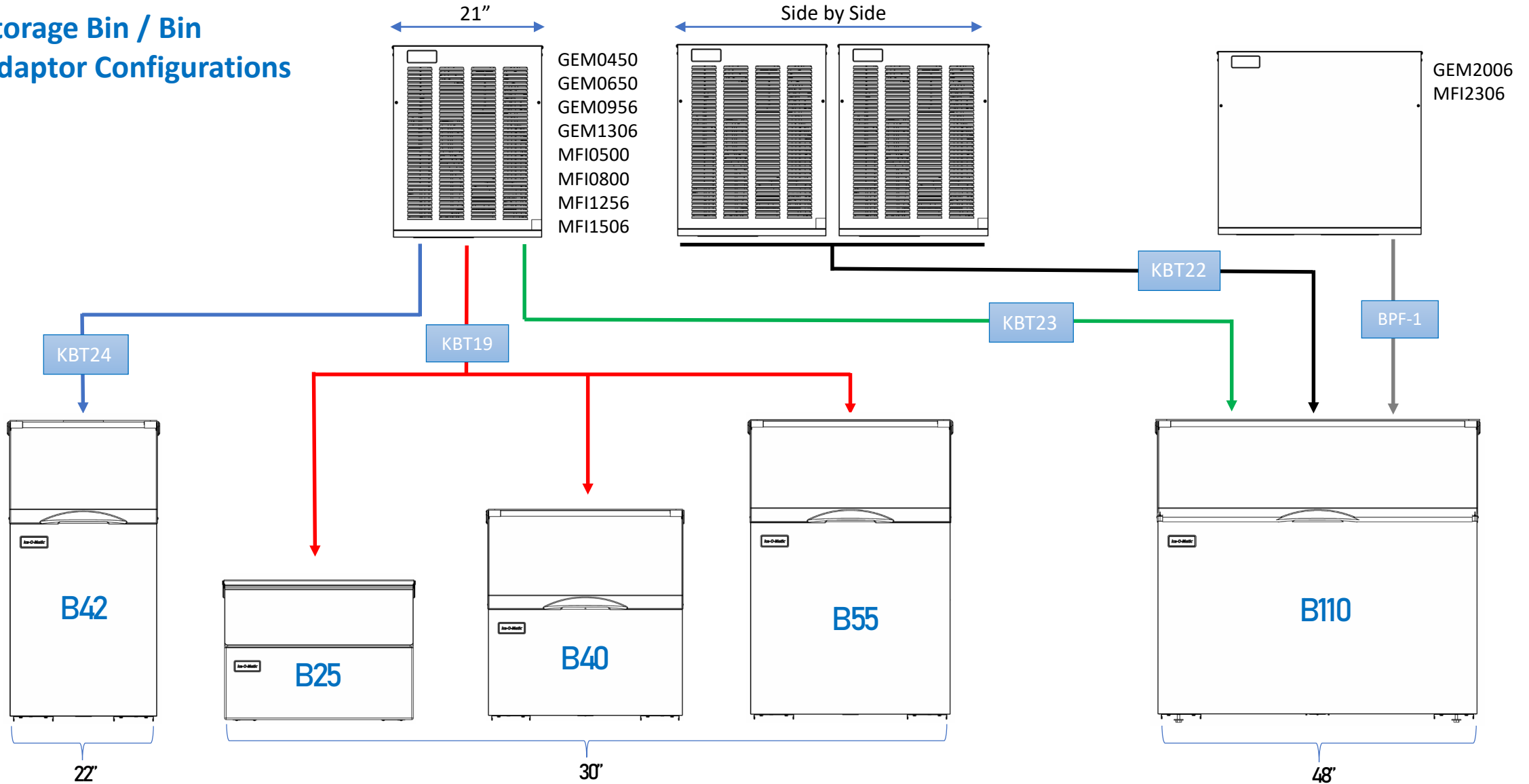


Ice-O-Matic 
Ice. Pure and Simple

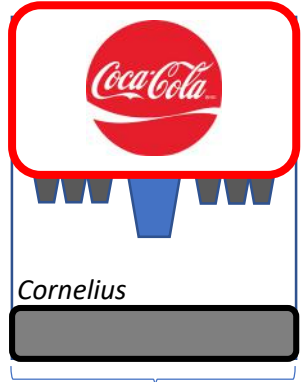
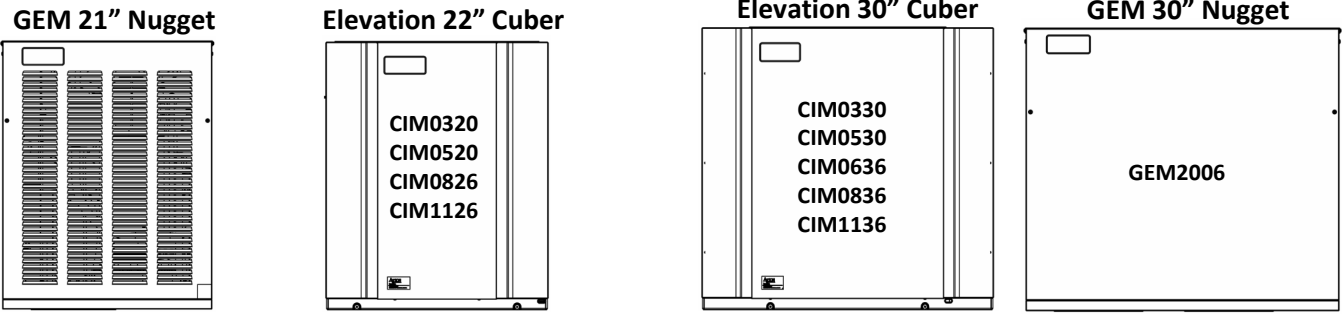
Modular CIM / Storage Bin / Bin Top Configurations



**Pearl (Nugget)
Flaker
Storage Bin / Bin
Adaptor Configurations**



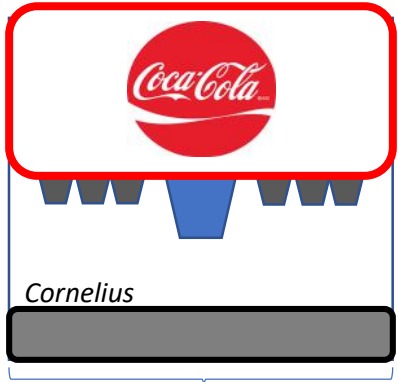
Ice & Ice – Beverage Dispenser kit applications



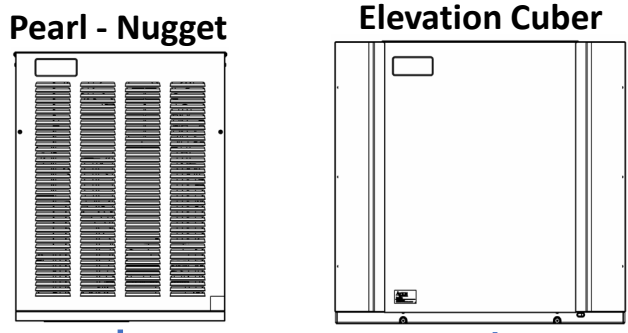
22"
IOD150
Or Cornelius ED
equivalent

Kits include:

- bin adaptor
- Ice level kit
(KCUBEDISP - KCUBEDISP)

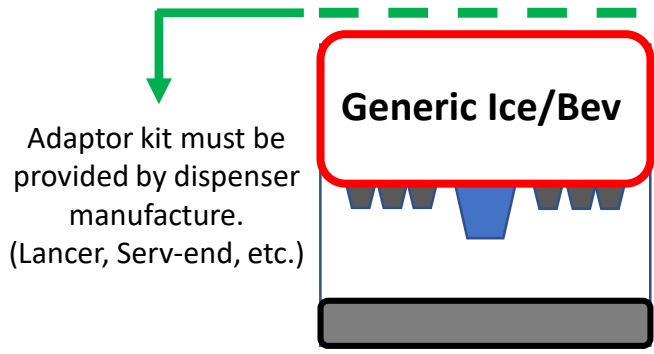


30"
IOD200 & 250
Or Cornelius ED
equivalent



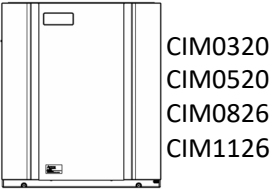
KGEMDISP
Ice level control

KCUBEDISP
Ice level control

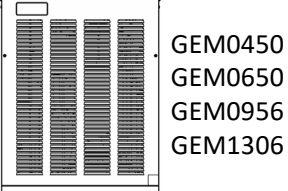


Coke Freestyle Adaptors and Kits

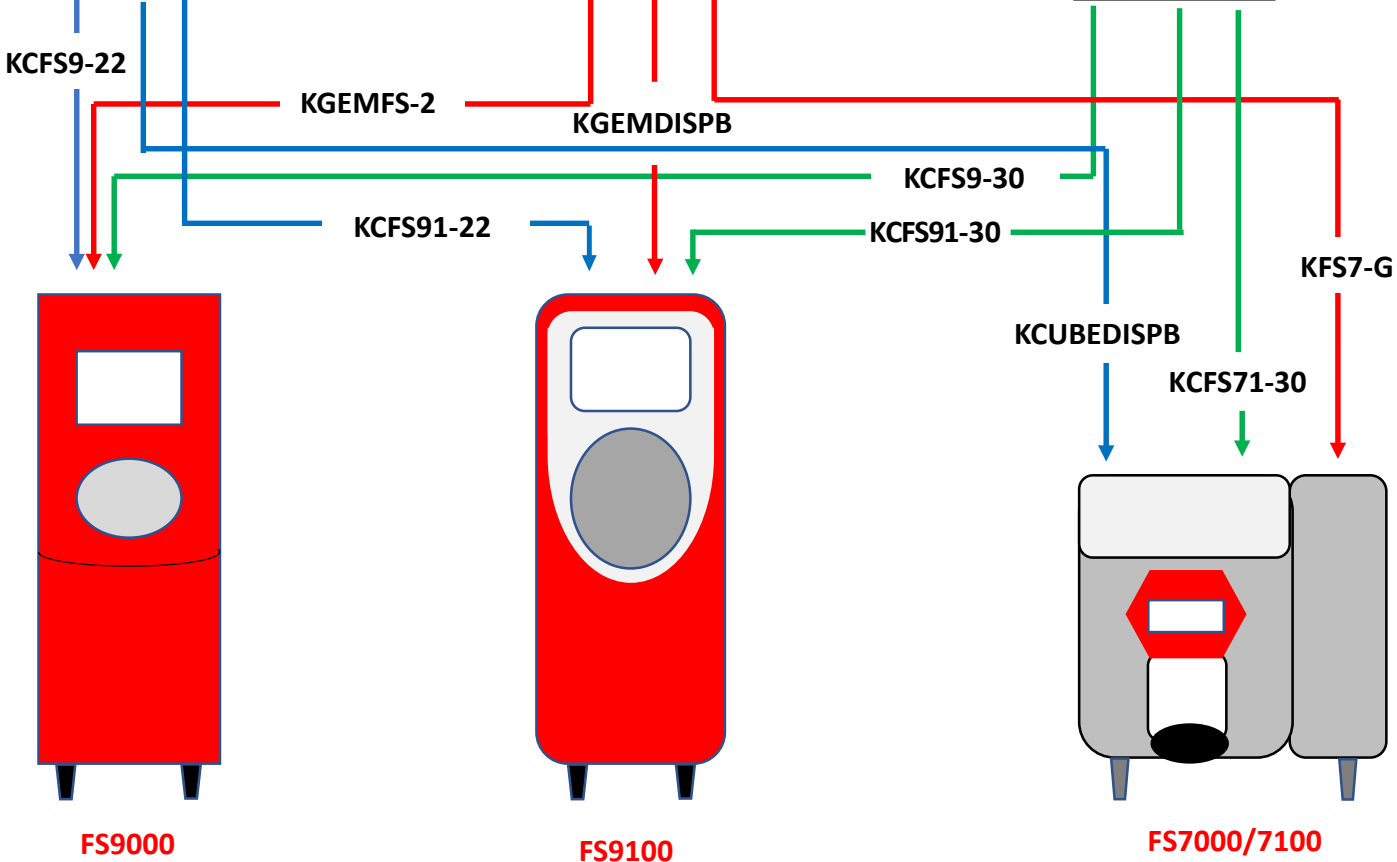
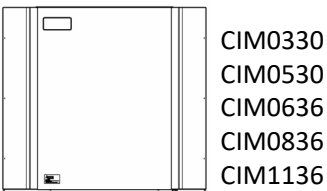
22" Elevation Cubers



Pearl Ice Machines



30" Elevation Cubers



All combinations require an adaptor from Coca-Cola, USA. in conjunction with the Ice O Matic kit.