



# SHURFLO® 8025 STANDARD WATER BOOST PUMP

WATER BOOST PUMP TO MAINTAIN WATER PRESSURE

---

8025 Water Boost Pump: 8025-933-399



## APPLICATIONS

---

Water delivery

## FEATURES • BENEFITS

---

- Positive displacement three (3) chamber diaphragm pump
- NSF®/UL/CSA-Listed
- Self-priming up to 12 ft (3.5 m) vertical
- Can run dry without damage
- Electric cord
- Integrated double check valves

## INSTALLATION TIPS

---

Can mount in any position.  
115 Vac nominal with cord.

## OPERATION TIPS

---

Self-priming.

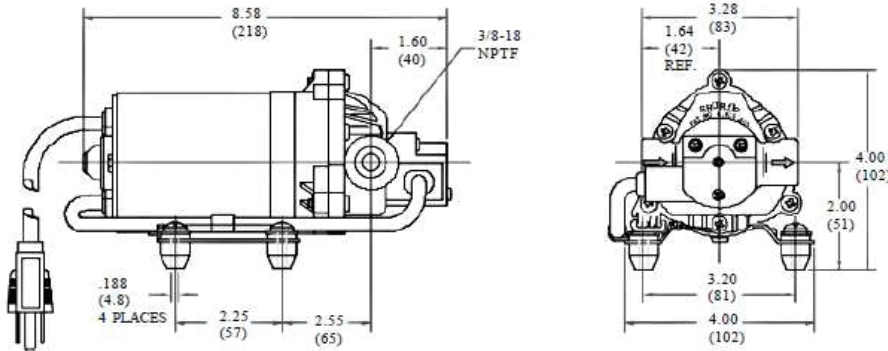
## SIZING

---

Service Flow Rate: 1.6 gpm (6 Lpm)

# SHURFLO® 8025 STANDARD WATER BOOST PUMP

## 8025-933-399



### SPECIFICATIONS

#### Motor

Permanent magnet, P/N 11-195-01, thermally protected

**Voltage** 115 Vac nominal with cord

#### Pressure Switch

Adjustable shutoff (80-100 psi (5.51-6.89 bar). Factory set @ 95 psi (6.55 bar) turn on 75 psi  $\pm$  5 psi (5.17 bar  $\pm$  0.34 bar)

#### Liquid Temperature

180°F (82°C) maximum

#### Prime

Self-priming up to 12 ft (3.5 m) vertical

**Maximum Inlet Pressure** 30 psi (2.1 bar)

**Cam** 3.0 Degree

**Service Flow Rate** 1.6 gpm (6 Lpm)

#### Materials

Plastics: Nylon

Valves: Food grad Viton

Diaphragm: Santoprene

Fasteners: Zinc plated steel

**Weight** 5.3 lbs (2.4 kg)

### WARRANTY

Limited Pentair® Warranty is valid from the date of manufacture or with proof of purchase:

2088 - One year  
 Water Boost - One year  
 Water Pressure Reducer Valve - One year  
 8000, 8025, 8010, 8075, 8095 - One year

Pentair will provide a copy of the warranty upon request.



### FILTRATION & PROCESSING SOLUTIONS

EVERPURE-SHURFLO WORLD HEADQUARTERS, 1040 MUIRFIELD DRIVE, HANOVER PARK, IL 60133 USA • WWW.EVERPURE.COM  
 800.942.1153 MAIN (US ONLY) • 630.307.3000 MAIN • 630.307.3030 FAX • CSEVERPURE@PENTAIR.COM EMAIL

EVERPURE-SHURFLO AUSTRALIA / NEW ZEALAND, 1-21 MONASH DRIVE, DANDENONG SOUTH, VIC, 3175, AUSTRALIA  
 1300.576.190 TEL • AU.EVERPURE@PENTAIR.COM EMAIL

EVERPURE-SHURFLO CHINA, 21F CLOUD 9 PLAZA, NO 1118, SHANGHAI, 200052, CHINA  
 86.21.3211.4588 TEL • 86.21.3211.4580 FAX • CHINA.WATER@PENTAIR.COM EMAIL

EVERPURE-SHURFLO INDIA, GREEN BOULEVARD, B-9/A, 7TH FLOOR - TOWER B SECTOR 62, NOIDA - 201301  
 91.120.419.9444 TEL • 91.120.419.9400 FAX • INDIACUSTOMER@PENTAIR.COM EMAIL

EVERPURE-SHURFLO EUROPE, PENTAIR WATER BELGIUM BVBA, INDUSTRIEPARK WOLFSTEE, TOEKOMSTLAAN, 30 B-2200 HERENTALS, BELGIUM  
 +32.(0).14.283.500 TEL • +32.(0).14.283.505 FAX • SALES@EVERPURE-EUROPE.COM EMAIL

EVERPURE-SHURFLO JAPAN INC., HASHIMOTO MN BLDG. 7F, 3-25-1 HASHIMOTO, MIDORI-KU, SAGAMIHARA-SHI KANAGAWA 252-0143, JAPAN  
 81.(0)42.775.3011 TEL • 81.(0)42.775.3015 FAX • INFO@EVERPURE.CO.JP EMAIL

EVERPURE-SHURFLO SOUTHEAST ASIA, 390 HAVELOCK ROAD, #04-01, KING'S CENTRE, SINGAPORE 169662  
 65.6795.2213 TEL • FAX: 65.6795.2219 FAX • CSEVERPURE@PENTAIR.COM EMAIL

All Pentair trademarks and logos are owned by Pentair, Inc. All other brand or product names are trademarks or registered marks of their respective owners. Because we are continuously improving our products and services, Pentair reserves the right to change specifications without prior notice. Pentair is an equal opportunity employer.