

□ ICDI 2200 □ ICDI 2300 6v □ ICDI 2300 8v

ICDI 2300 8v



Accessories and Options

- Conversion Stand
- Marquee
- Merchandiser
- Splash Guards
- Power Supply
- Valve Conversion Kit

Certified by these agencies:



CUSTOMER SERVICE

Should you require more information about our products, please do not hesitate to contact our customer service team at custserv@lancerworldwide.com.

Standard Performance Ice Cooled Drop In Dispensers (ICDI)

are designed using the highest quality materials and proven technology providing our customers with consistent drink quality.

Features

- Improved easy serviceability/cleanability
- Stainless steel construction with sealed in cold plate
- Ice bin insulated with CFC free structural foam
- Syrup & soda inlets: 3/8" (9.5 mm) male barb
- LEV® valves standard, other valves available upon request
- Key lock switch



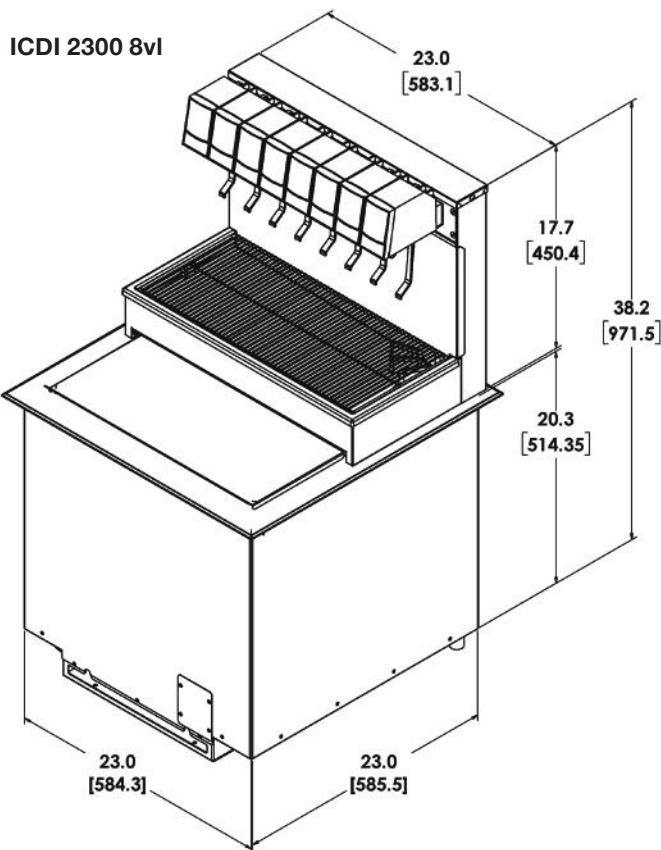
WARRANTY

For warranty specifics by product, contact your Lancer Sales Representative. Equipment design and/or specifications are subject to change without notice.

Standard Performance Ice Cooled Drop In Dispensers

For more Information visit lancerworldwide.com or call 1-888-846-6729

□ ICDI 2200 □ ICDI 2300 6v □ ICDI 2300 8v



Distinctive Design

Meets or exceeds industry standards for performance

ICDI 2200 -5 valves (2-2-1)
6 valves (3-2-1)
Removable splash plate and drip tray for easy cleaning

ICDI 2300 -6 valves (2-1-1-2)
8 valves (3-1-1-3)
– Onsite Upgrade
– Front Plumbing Inlets

Dimensions

ICDI 2200 - 33.375" H x 15" W x 23" D
(848 mm H x 381 mm W x 584 mm D)

ICDI 2300 - 38.2" H x 23" W x 23" D
(970 mm H x 584 mm W x 584 mm D)

Counter Cut-Out

ICDI 2200 - 15.25" W x 23.25" D
(387 mm W x 591 mm D)

ICDI 2300 - 23.25" W x 23.25" D
(591 mm W x 591 mm D)

Weight

ICDI 2200 - Operating: 166 lbs (75 kg)
Shipping: 175 lbs (79 kg)

ICDI 2300 - Operating: 206 lbs (93 kg)
Shipping: 260 lbs (118 kg)

Ice

ICDI 2200 - Capacity: 60 lbs (27.2 kg)
ICDI 2300 - Capacity: 100 lbs (45 kg)

Electrical

ICDI 2200 - 115V/60Hz
ICDI 2300 - 115V/60Hz
220-240V/50-60Hz

For more Information visit lancerworldwide.com or call 1-888-846-6729