

# ICD 2200



## Ice Cooled Drop In Dispenser

The ICD 2200 is designed using the highest quality materials and proven technology providing our customers with consistent drink quality.

### 2200 Ice Cooled Drop In Dispenser

- > Available with five or six valves
- > Stainless steel construction with sealed in cold plate
- > 3/4" drain with strainer to prevent ice blockage
- > Stainless steel flooded soda manifold and multiple plain water configuration
- > Ice bin insulated with CFC free structural foam
- > Tower designed with removable splash plate and drip tray for easy cleaning
- > Optional top merchandiser and back marquee feature lighted graphics for maximum impact
- > Splash guards optional
- > **Dispensing Solutions that *Pour More***



**LANCER**

lancercorp.com

# ICD 2200

## SPECIFICATIONS

### DIMENSIONS

Height: 33.375" (848 mm)  
Width: 15" (381 mm)  
Depth: 23" (584 mm)

### COUNTER CUT-OUT

Width: 15.25" (387 mm)  
Depth: 23.25" (591 mm)

### ELECTRICAL

115V/60Hz

### WEIGHT

Operating: 166 lbs (75 kg)  
Shipping: 130 lbs (59 kg)

### ICE

Capacity: 60 lbs (27.2 kg)

### FITTINGS

Soda Inlets: 3/8" male barb  
Syrup Inlets: 3/8" male barb

### VALVES

LEV® and other valves available upon request

### FLEX MANIFOLD CONFIGURATION

5 valve 2-2-1  
6 valve 3-2-1

### KEY LOCK SWITCH

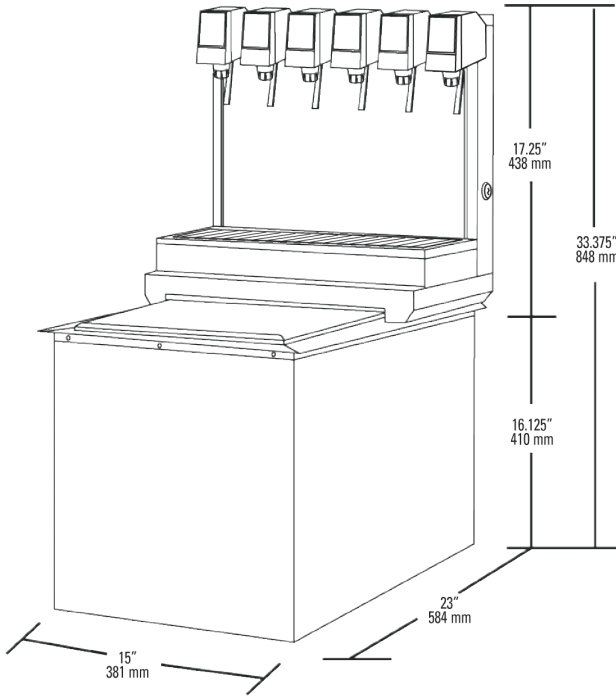
### DRAW PERFORMANCE

Number of Drinks Below 40°F

### 75°F (24°C) Ambient Temperature

12 oz/5 drinks per minute

*(Units can supply drinks under 40°F at rated draw performance continuously as long as ice is kept on cold plate.)*



## OPTIONS



Marquee



Merchandiser



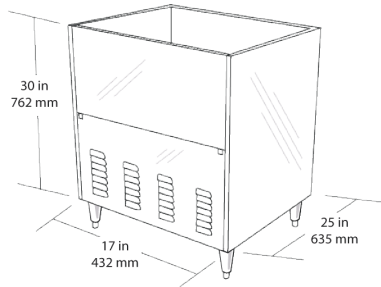
Splash Guards



Power Supply

## CONVERSION STAND – 15" X 23"

- > All stainless steel construction
- > Front access panel
- > 6" (152 mm) adjustable legs
- > Allows quick and easy conversion from drop in to free standing unit
- > Shipping Weight: 80 lbs (36.28 kg)



### Customer Service:

Should you require more information about our products, please do not hesitate to contact our customer service desk at [custserv@lancercorp.com](mailto:custserv@lancercorp.com).

### Warranty:

For warranty specifics by product, contact your Lancer Sales Representative. Equipment design and/or specifications are subject to change without notice.

Lancer Corp. 6655 Lancer Boulevard · San Antonio, TX 78219

210-310-7000 · 1-800-729-1500 · Fax: 210-310-7250

# Pour More

# LANCER



Model 2200

[lancercorp.com](http://lancercorp.com)