



<u>Part Number</u>	<u>Description</u>
85-1923-00	Carbonator, 115V, VCV, Diagnostic
85-1923-01	Carbonator, 115V, VCV, Diagnostic, Insulated
85-1923-02	Carbonator, 115V, VCV, Diagnostic, Tee
85-1923-04	Carbonator, 100V, HJ, VCV, Diagnostic
85-1923-07	Carbonator, 115V, VCV, Diagnostic, Polished
85-1924-00	Carbonator, 230V, VCV, Diagnostic
85-1924-01	Carbonator, 230V, VCV, Diagnostic, Insulated
85-1924-06	Carbonator, 230V, VCV, Diagnostic, Reset

FOR QUALIFIED INSTALLER ONLY. This basic Installation Sheet is an initial release. If a complete Operations Manual (for the unit being installed) is required or needed, please refer to the Lancer web site (lancercorp.com) for immediate access, or for your convenience, scan this QR code with a mobile device (app required) for immediate access to other Technical Documents and alternative translations (if available) pertaining to this unit. Contact Lancer Customer Service for assistance as required.

ABOUT THIS MANUAL

This booklet is an integral and essential part of the product and should be handed over to the operator after the installation and preserved for any further consultation that may be necessary. Please read carefully the guidelines and warnings contained herein as they are intended to provide the user with essential information for the continued safe use and maintenance of the product. In addition, it provides **GUIDANCE ONLY** to the user on the correct services and site location of the unit.

The installation and relocation, if necessary, of this product must be carried out by qualified personnel with up-to-date safety and hygiene knowledge and practical experience, in accordance with current regulations.

BEFORE GETTING STARTED

Each unit is tested under operating conditions and is thoroughly inspected before shipment. At the time of shipment, the carrier accepts responsibility for the unit. Upon receiving the unit, carefully inspect the carton for visible damage. If damage exists, have the carrier note the damage on the freight bill and file a claim with carrier. Responsibility for damage to the dispenser lies with the carrier.



COMPONENT

IMPORTANT SAFETY INSTRUCTIONS

Electrical Warning

Check the dispenser serial number plate for correct electrical requirements of unit. Do not plug into a wall electrical outlet unless the current shown on the name plate label agrees with local current available. Follow all local electrical codes when making connections. Each dispenser must have a separate electrical circuit. Do not use extension cords with this unit. Do not 'gang' together with other electrical devices on the same outlet. The keyswitch does not disable the line voltage to the transformer primary. Always disconnect electrical power to the unit to prevent personal injury before attempting any internal maintenance. The resettable breaker switch should not be used as a substitute for unplugging the dispenser from the power source to service the unit. Only qualified personnel should service internal components of electrical control housing. Make sure that all water lines are tight and units are dry before making any electrical connections!

In the event of malfunction or breakdown, grounding provides a path of least resistance for electric current to reduce the risk of electric shock. This appliance is equipped with a cord having an Equipment grounding plug. The plug must be plugged into an appropriate outlet that is properly installed and grounded in accordance with all local codes and ordinances.

When using electric appliances, basic precautions should always be followed, including the following: 1. Read all the instructions before using the appliance. 2. Do not use outdoors. 3. Do not unplug by pulling on the cord. 4. For a grounded appliance, connect to properly grounded outlet only. See grounding warning. 5. Unplug from outlet before servicing or cleaning.

Advertencia Eléctrica

Verifique la placa con el número de serie del dispensador, donde encontrará los requisitos eléctricos correctos de la unidad. No enchufe la unidad en un tomacorriente de pared a menos que la corriente indicada en la placa con el número de serie concuerde con la corriente local disponible. Al hacer las conexiones, respete todos los códigos eléctricos locales. Cada dispensador debe tener un circuito eléctrico independiente. No use extensiones con esta unidad. No la conecte junto con otros dispositivos eléctricos al mismo tomacorriente. El interruptor de llave no corta el voltaje de línea al transformador primario, desconecte siempre la alimentación eléctrica a la unidad para evitar lesiones personales antes de tratar de realizar tareas de mantenimiento. El disyuntor de sobrecarga reseteable no se debe usar como sustituto para desenchufar el dispensador de la fuente de alimentación para realizar tareas de servicio de la unidad. El servicio de los componentes internos de la caja de control eléctrico debe confiarse exclusivamente a personal calificado. Asegúrese de que todas las líneas de agua estén ajustadas y las unidades estén secas antes de hacer conexiones eléctricas.

En caso de mal funcionamiento o avería, conexión a tierra proporciona una vía de menor resistencia para la corriente eléctrica para reducir el riesgo de descarga eléctrica. Este aparato está equipado con un cable que tiene un tierra del equipo de enchufe. El enchufe debe conectarse a un tomacorriente Adecuado que está instalado y conectado a tierra de acuerdo con todos los códigos locales y Ordenanzas.

Cuando se utilizan aparatos eléctricos, las precauciones básicas siempre se deben seguir, incluyendo las siguientes: 1. Lea todas las instrucciones antes de usar el aparato. 2. No usar en exteriores. 3. No desenchufe tirando del cordón. 4. Para un aparato con conexión a tierra, conexión a tierra adecuada toma solamente. Vea conexión a tierra instrucciones. 5. Desconecte del tomacorriente antes de reparar o limpiar.

Avertissement Électrique

Examinez la plaque de numéro de série du distributeur pour connaître les bonnes exigences en matière d'électricité pour l'appareil. Ne le branchez pas à une prise électrique murale à moins que le courant indiqué sur la plaque de numéro de série corresponde au courant local disponible. Respectez tous les codes électriques locaux lorsque vous faites des connexions. Chaque distributrice doit avoir un circuit électrique séparé. N'utilisez pas de cordons prolongateurs avec cet appareil. Ne pas le brancher avec d'autres appareils électriques sur la même prise. L'interrupteur à clé ne coupe pas la tension secteur au transformateur primaire. Débranchez toujours le courant électrique à l'appareil, afin de prévenir des blessures, avant de faire un entretien interne quelconque. Le disjoncteur réarmable ne devrait pas être utilisé au lieu de débrancher le distributeur de la source d'alimentation en électricité pour faire de l'entretien/une réparation de l'appareil. Seul le personnel qualifié devrait faire l'entretien/la réparation des composants internes dans le logement des commandes électriques. Assurez-vous que toutes les conduites d'eau sont étanches et que les appareils sont secs avant de faire des connexions électriques!

Advenant une défaillance ou un bris, la mise à la terre fournit un trajet de moindre résistance pour le courant électrique afin de réduire le risque de choc électrique. Cet appareil est équipé d'un cordon ayant une fiche de mise à la terre. La fiche doit être branchée sur une prise appropriée correctement installée et mise à la terre conformément aux codes aux règlements locaux.

Des précautions de base doivent toujours être suivies lorsque des appareils ménagers électriques sont utilisés, notamment : 1. Lire toutes les instructions avant d'utiliser l'appareil. 2. Ne pas utiliser à l'extérieur. 3. Ne jamais tirer sur le cordon pour débrancher l'appareil. 4. Brancher tout appareil devant être mis à la terre uniquement sur une prise avec mise à la terre. Voir les instructions de mise à la terre. 5. Débrancher l'appareil de la prise avant de le réparer ou de le nettoyer.

Grounding Warning

Improper connection of the equipment-grounding conductor can result in a risk of electric shock. The conductor with insulation having an outer surface that is green, with or without yellow strips, is the equipment-grounding conductor. If repair or replacement of the cord or plug is necessary, do not connect the equipment grounding conductor to a live terminal. Check with a qualified electrician or serviceman if the grounding instructions are not completely understood, or if in doubt whether the appliance is properly grounded. Do not modify the plug provided with the appliance. If it will not fit the outlet, have a proper outlet installed by a qualified electrician.

Advertencia, Puesta a Tierra

La conexión incorrecta del conductor de tierra del equipo puede ocasionar un riesgo de descarga eléctrica. El conductor con aislamiento que tiene una superficie exterior verde, con o sin franjas amarillas, es el conductor de puesta a tierra. Si la reparación o reemplazar el cable o el enchufe es necesario, no conecte el equipo conductor a tierra a un terminal con corriente. Consulte a un electricista calificado o técnico de servicio si las instrucciones de conexión a tierra no se entienden completamente, o si en duda de si el aparato está correctamente conectado a tierra. No modifique el enchufe que se proporciona con el aparato. Si no entra en la toma, pida a un electricista que instale una electricista calificado.

Exigences De Mise À La Terre

Un branchement inapproprié du conducteur de mise à la terre peut causer un risque de choc électrique. Le conducteur de mise à la terre est celui dont l'isolant a une surface extérieure verte (avec ou sans barres jaunes). S'il est nécessaire de réparer ou de remplacer le cordon ou la fiche, ne pas brancher le conducteur de mise à la terre sur un terminal sous tension. Faire appel à un électricien ou un réparateur qualifié si les instructions de mise à la terre ne sont pas complètement comprises ou si l'appareil ne semble pas être mis à la terre de la manière appropriée. Ne jamais modifier la fiche fournie avec l'appareil. Si elle ne s'insère pas dans la prise, demander à un électricien qualifié d'installer une prise appropriée.

Carbon Dioxide (CO₂)

- **WARNING:** Carbon Dioxide (CO₂) is a colorless, noncombustible gas with a light pungent odor. High percentages of CO₂ may displace oxygen in the blood.
- **WARNING:** Prolonged exposure to CO₂ can be harmful. Personnel exposed to high concentrations of CO₂ gas will experience tremors which are followed by a loss of consciousness and suffocation.
- **WARNING:** If a CO₂ gas leak is suspected, immediately ventilate the contaminated area before attempting to repair the leak.
- **WARNING:** Strict attention must be observed in the prevention of CO₂ gas leaks in the entire CO₂ and soft drink system.

Dioxyde de Carbone (CO₂)

- **AVERTISSEMENT :** Le dioxyde de carbone (CO₂) est un gaz incolore et non combustible qui a une odeur âcre. Un pourcentage élevé de CO₂ réduit la quantité d'oxygène dans le sang.
- **AVERTISSEMENT :** L'exposition prolongée au CO₂ est dangereux pour la santé. Le personnel exposé à un taux élevé de CO₂ souffre de tremblements qui sont suivis par une perte de conscience et la suffocation.
- **AVERTISSEMENT :** Si vous suspectez une fuite de CO₂, aérez immédiatement la zone contaminée avant de procéder à la réparation de la fuite.
- **AVERTISSEMENT :** Il est impératif de prévenir toute fuite de CO₂ dans le système de distribution de CO₂ et de breuvage.

Dióxido de Carbono (CO₂)

- **ADVERTENCIA:** El dióxido de carbono (CO₂) es un gas incoloro e incombustible con un olor ligeramente picante. Un porcentaje elevado de CO₂ puede desplazar el oxígeno en la sangre.
- **ADVERTENCIA:** La exposición prolongada al CO₂ puede ser nociva. El personal expuesto a concentraciones elevadas de gas CO₂ sufrirá temblores seguidos de desmayo y asfixia.
- **ADVERTENCIA:** Ante la sospecha de una fuga de CO₂, ventile de inmediato la zona contaminada antes de comenzar a reparar la fuga.
- **ADVERTENCIA:** Preste mucha atención a la prevención de fugas de CO₂ en todo el sistema de CO₂ y de refrescos.

SPECIFICATIONS & FEATURES

DIMENSIONS

Width: 12.25 inches (311 mm)
Depth: 15.25 inches (387 mm)
Height: 11.5 inches (292 mm)

WEIGHT

Shipping: 33.5 lbs (15.2 kg)
Empty: 31.1 lbs (14.1 kg)
Operating: 45.3 lbs (20.5 kg)

ELECTRICAL

115 VAC / 60 Hz / 6.3 Amps
230 VAC / 50-60 Hz / 3.0 - 3.5 Amps

MOTOR

1/3 Horsepower (HP)

TANK OPERATING CAPACITY

215 Ounces (6.4 L)

This unit emits a sound pressure level below 70 dB

BACKFLOW PREVENTER

Max Temp: 130° F (54° C)
Max Pressure: 200 PSIG (0.138 MPA)
ASSE 1022 Compliant

FITTINGS

Water for Carb Inlet: 3/8 inch S.A.E.
Male Flare
Carb CO₂ Inlet: 3/8 inch S.A.E.
Male Flare

TIMEOUT FEATURE

The carbonator is designed with a Timeout feature for self-protection. If the carbonator runs for longer than three minutes without the demand for water being met, the carbonator will shut down. On newer units, an automatic retry feature can be enabled to allow self-recovery within 3 hours. Refer to *Troubleshooting* section on pages XX - XX.

THEORY OF OPERATION

A carbonator is a device designed to dissolve carbon dioxide gas (CO₂) in water, producing carbonated water. CO₂ gas is delivered through a regulator to the carbonator tank. Simultaneously, plain water is pumped into the tank. The CO₂ gas, under pressure, dissolves in the water and the result is carbonated water. When the level of carbonated water reaches a pre-determined point, the liquid level sensing device (inside the tank) signals the liquid level control module which, in turn, shuts off the pump motor. As carbonated water is drawn from the tank, the level of carbonated water will drop. At a certain point, the liquid level sensing device recognizes the drop in the level and turns on the pump motor which replenishes the amount of carbonated water that has been taken out of the tank.

READ THIS MANUAL

This manual was developed by the Lancer Corporation as a reference for the owner/operator and installer of this dispenser. Please read this guide before installation and operation of this dispenser. If service is required please call your Lancer Service Agent or Lancer Customer Service. Always have your model and serial number available when you call.

Your Service Agent: _____

Service Agent Telephone Number: _____

Serial Number: _____

Model Numer: _____

INSTALLATION & OPERATION

1. Select a level, well-ventilated, accessible location convenient to water and electrical supply, which can support a weight of 100 lbs (45.3 kg).
2. Before installing, make any desired configuration changes. Refer to configuration section.
3. Connect 3/8" flexible pressure tubing, or larger, from water supply to pump inlet.
4. A shutoff valve and screen (minimum 100 mesh), should be installed in water supply line to carbonator. A water filter may also be necessary in water supply line to carbonator, depending on local conditions. Water pressure entering the pump should be at a minimum of 25 PSIG (0.172 MPA); recommended water pressure is 50 PSIG (0.345 MPA), and should never exceed CO₂ pressure. If necessary, install a regulator.
5. Connect CO₂ pressure supply to CO₂ inlet on carbonator tank, with normal operating pressure at 105 PSIG (0.720 MPA). Do not exceed 120 PSIG (0.830 MPA). If excessive foam in drink is present, reduce CO₂ pressure to approximately 90 PSIG (0.620 MPA).
6. Connect carbonator water outlet to dispensing system. If only one tank outlet is used, cap remaining with stainless steel cap and flare washer, PNs 01-0212 and 05-0017. To avoid contamination of potable liquids, do not connect copper tubing or fitting between the discharge fitting of carbonator tank and dispenser.

⚠ ATTENTION

Do not connect to a hot water or soft water source.

⚠ ATENCIÓN

No conecte a una fuente de agua caliente o agua blanda.

⚠ ATTENTION

Ne pas se connecter à l'eau chaude ou de la source d'eau doux.

7. Open pressure relief valve by moving yellow lever to vertical position.
8. To remove air, turn water supply on and fill tank until water can be seen coming out of pressure relief valve.
9. Close pressure relief valve by moving yellow lever to horizontal position.
10. Turn on CO₂ supply and adjust to correct pressure.
11. If electrical requirements have been met, plug in carbonator.
12. Check for CO₂ and water leaks.
13. Open a dispensing valve. Allow carbonator to cycle several times, turning motor **OFF** and **ON** to flush system.

SCHEDULED MAINTENANCE

As Needed	<ul style="list-style-type: none"> • Periodically inspect for CO₂ or water leaks. Perform maintenance as necessary. Inspect and clean pump strainer.
------------------	--------------------------------------------------------------------------------------------------------------------------------------------------------------------------------

CLEANING & REPLACEMENT OF PARTS

CO₂ Check Valve

1. Unplug power cord.
2. Shut water supply OFF to pump.
3. Turn CO₂ supply OFF and set CO₂ pressure regulator at 0 PSIG.
4. Disconnect CO₂ supply line from CO₂ check valve.

⚠ WARNING

Do not probe valve with any object

⚠ ADVERTENCIA

No haga pruebas válvula con un objeto.

⚠ AVERTISSEMENT

Ne jamais sonder le clapet avec un objet quelconque.

5. Cover end of check valve with soap suds. If check valve is defective, gas bubbles will appear. If a leak is detected, continue with the following steps.
6. Release pressure in tank, using relief valve.
7. Disassemble check valve body and components. Inspect spring and o-rings. Replace as required.
8. Reassemble and reinstall check valve.
9. Reconnect CO₂ supply line to CO₂ check valve.
10. Follow start up procedure to put carbonator back into operation.

Backflow Preventer

⚠ WARNING

If the first check on the backflow preventer fails, carbonated water will leak from the vent on the valve. Do not disassemble the backflow preventer. Replace by ordering part number 17-0611. Do not disable the backflow preventer.

⚠ ADVERTENCIA

Si la primera comprobación de la válvula antirretorno falla, agua con gas se escapará de la rejilla de ventilación de la válvula. No desarme la válvula antirretorno. Reemplazar por pedir el número de pieza 17-0611. No desactive la válvula antirretorno.

⚠ AVERTISSEMENT

Si le premier contrôle du disconnecteur hydraulique échoue, de l'eau carbonée fuira par l'évent du clapet. Ne jamais désassembler le disconnecteur hydraulique. Commander un nouveau disconnecteur hydraulique, n° de pièce 17-0611. Ne jamais mettre le disconnecteur hydraulique hors fonction.

1. Unplug power cord.
2. Shut water supply **OFF** to pump.
3. Set CO₂ pressure at 100 to 125 PSIG (0.690 to 0.860 MPA).
4. Disconnect stainless steel water line from water inlet check valve. Do not loosen check valve assembly.
5. Cover end of check valve with soap suds. If check valve is defective, gas bubbles will appear. If a leak is detected, continue with the following steps. If no leak is detected, proceed to Step 9 below.
6. Turn CO₂ pressure **OFF**. Release pressure in tank, using relief valve.
7. Replace the backflow preventer.
8. Reconnect stainless steel line to water inlet check valve.
9. Follow start up procedure to put carbonator back into operation.

Pump Strainer Screen

1. Unplug power cord.
2. Shut water supply **OFF** to pump.
3. Unscrew brass plug on pump, and remove strainer from pump.
4. Inspect and clean, or replace, strainer screen.
5. Reinstall strainer, and tighten brass plug.
6. Turn water supply **ON**.
7. Check for leaks. If a leak is detected, carefully tighten brass plug.
8. Plug power cord into electrical outlet.

Replacing Probe

1. Unplug power cord.
2. Shut water and CO₂ gas supplies **OFF**.
3. Relieve pressure in tank using relief valve.
4. Remove cover and unplug probe leads from PC board.
5. Unscrew probe from top of tank.
6. Screw new probe into top of tank. Be sure to install white plastic washer as a water tight seal will not be obtained without the washer.
7. Connect probe leads to PC board as follows:

Green	G
Black	LO
White	HI
8. Slide probe strain relief into slot and replace cover.
9. Follow start-up procedure for putting carbonator back into operation.

Replacing PC Board

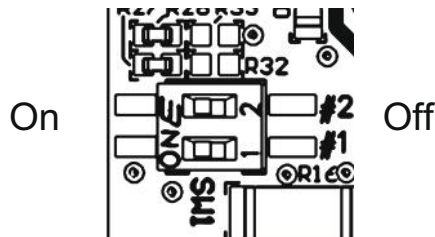
1. Unplug power cord.
2. Remove cover from PC board enclosure.
3. Unplug probe, power cord and motor cord leads from PC board.
4. Remove PC board assembly.
5. Configure new board, refer to configuration section.
6. Install new PC board and secure with screws.
7. Connect push leads and secure to PC board as follows:

Probe	Power Cord	Motor Cord
Green G	Black 1	Black 3
Black LO	White 2	White 4
White HI		
8. Replace cover.
9. Plug in power cord.
10. Test diagnostic switch connector.

CONFIGURATION

NOTE

The new carbonator PCB assemblies 64-5076 (230V) and 64-5081 (115V) have two configuration switches, located between the Power and Timeout LEDs:

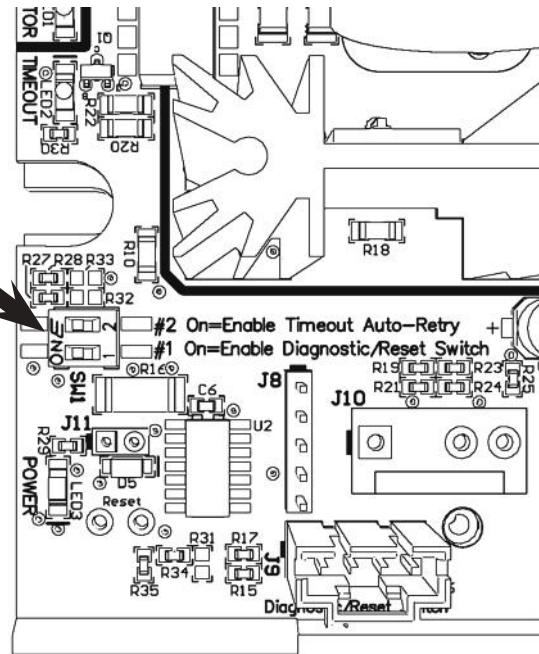


NOTE

These switches can be switched with a small screwdriver or a ballpoint pen. Toward the edge of the board is ON, toward the center is OFF.

The default setting is with both of the switches in the ON position. This allows for either a manual reset, by pressing the test/reset button on the outside of the carbonator, or automatic reset.

If one option is preferred over the other, enable their position by turning the switch to the ON position and the other to the OFF position.



	ON	OFF
Pos 1 — Enable Diagnostic/Reset Switch	Switch must be connected to J9 Pressing and holding the switch connected to J9 will test the motor. Releasing the switch will reset any timeout.	J9 may be empty (no jumpers required). Any connected switch is ignored.
Pos 2 — Enable Timeout Auto-Retry	If the tank fails to fill within 3 minutes, the carbonator times out and will attempt to fill itself every 15 minutes for 3 hours. If it succeeds, normal operation will resume. The timeout LED will blink slowly within the 3 hours, then quickly after.	If the tank fails to fill within 3 minutes, the carbonator times out and never retries. The timeout LED will turn on continuously when the carbonator times out.

TROUBLESHOOTING

TROUBLE	CAUSE	REMEDY
Motor does not start. (Motor hums.)	<ol style="list-style-type: none"> 1. Pump binding. 2. Open winding infield 	<ol style="list-style-type: none"> 1. Rotate pump slightly to free binding. If this fails, replace pump. 2. Replace motor.
Motor does not start. (Motor does not hum.)	<ol style="list-style-type: none"> 1. Overload by pump binding. 2. Fuse or circuit breaker. 3. Faulty motor. 4. Faulty PC board. 5. Faulty probe. 6. Timeout feature has activated. This happens when the carbonator runs longer than three minutes without the demand for water being met. 	<ol style="list-style-type: none"> 1. Let motor cool and free pump binding. 2. Replace fuse or reset circuit breaker. 3. Replace motor. 4. Replace PC board. 5. Replace probe. 6. Reset power to the carbonator or press and release reset switch.
Motor runs continuously.	<ol style="list-style-type: none"> 1. Restriction in inlet water check valve. 2. Restriction in pump. 3. Faulty board or probe. 	<ol style="list-style-type: none"> 1. Disassemble inlet water check valve and clean. 2. Clean strainer or replace pump. 3. Replace board or probe.
Pressure relief valve releases water.	<ol style="list-style-type: none"> 1. Faulty relief valve. 	<ol style="list-style-type: none"> 1. Replace relief valve.
Low Carbonation.	<ol style="list-style-type: none"> 1. Low CO₂ pressure. 2. Leaking CO₂ supply line. 	<ol style="list-style-type: none"> 1. Increase CO₂ pressure or replace CO₂ tank. 2. Locate leak and repair.
Foamy product.	<ol style="list-style-type: none"> 1. Over carbonation. 	<ol style="list-style-type: none"> 1. Reduce CO₂ pressure.

Basic Go/No Go Carbonator Control Test

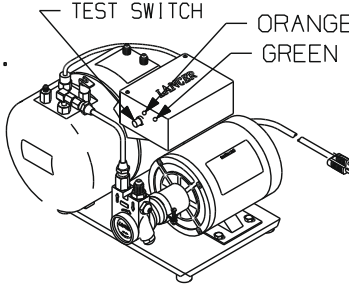
- Part Number 06-1236/01 (shown below) is found on the cover of the carbonator assembly. It provides a basic troubleshooting procedure to determine if the liquid level control is operating properly. The procedure will help isolate problems to the probe, motor or PC Board.

NOTE: IN CASE OF CARBONATION PROBLEMS, VERIFY CARBONATOR OPERATION BY DRAWING DRINKS. IF PROBLEMS PERSIST, FOLLOW THE STEPS LISTED BELOW.

STEP 1--OBSERVE GREEN LIGHT
 OFF-----CHECK POWER SUPPLY
 ON-----GO TO STEP 2

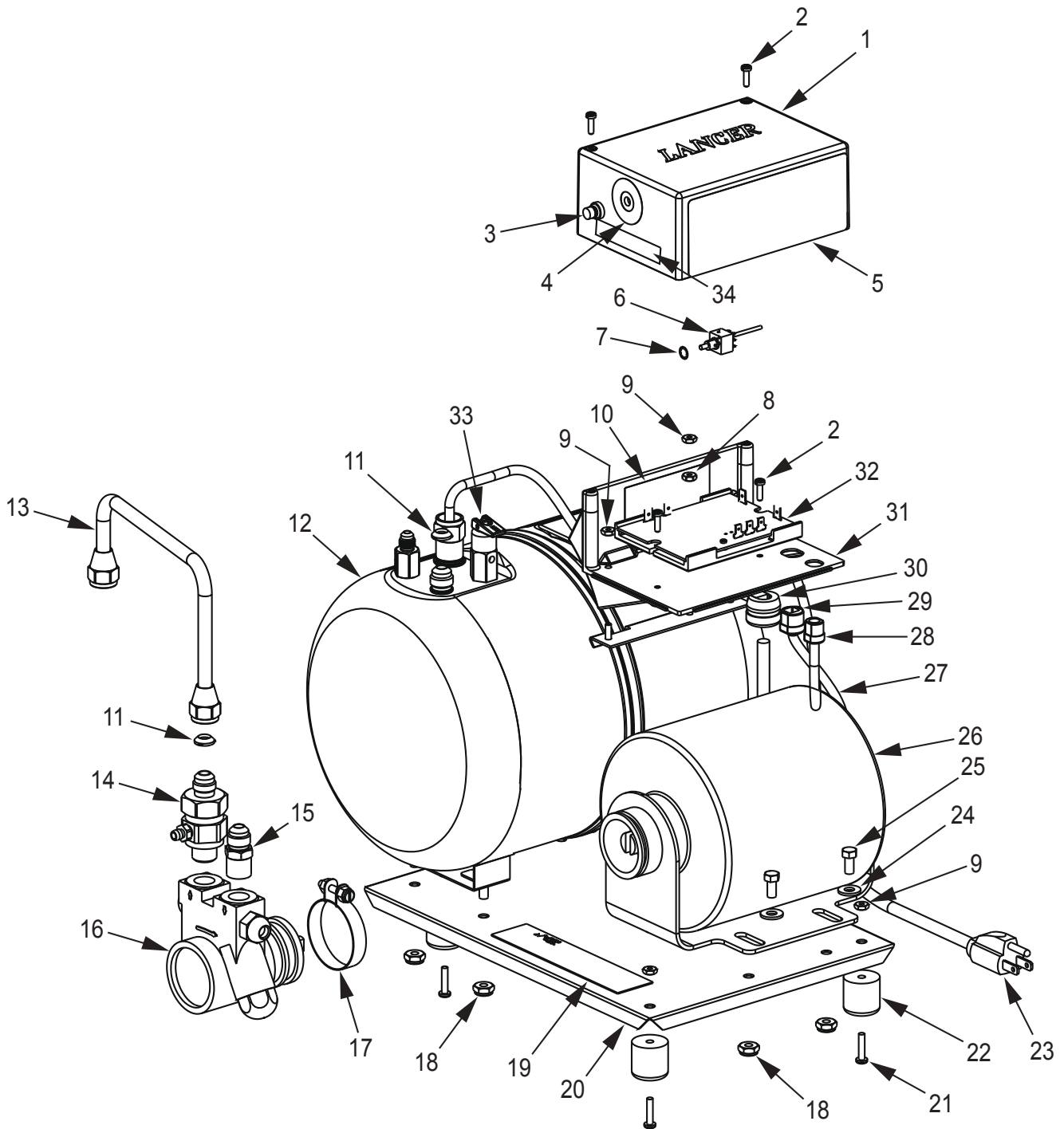
STEP 2--PUSH TEST SWITCH (WITH TANK EMPTY)
 MOTOR STARTS-----REPLACE PROBE
 MOTOR DOES NOT START AND ORANGE LIGHT ON--
 REPLACE MOTOR
 ORANGE LIGHT OFF-----REPLACE BOARD

STEP 3--IF MOTOR DOES NOT TURN OFF-----
 REPLACE BOARD AND PROBE



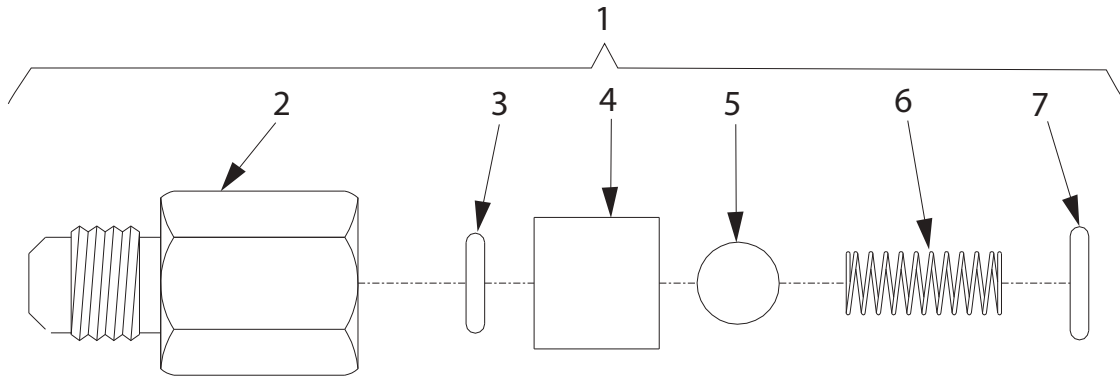
LANCER
P.N. 06-1236/01

CARBONATOR TANK ASSEMBLY



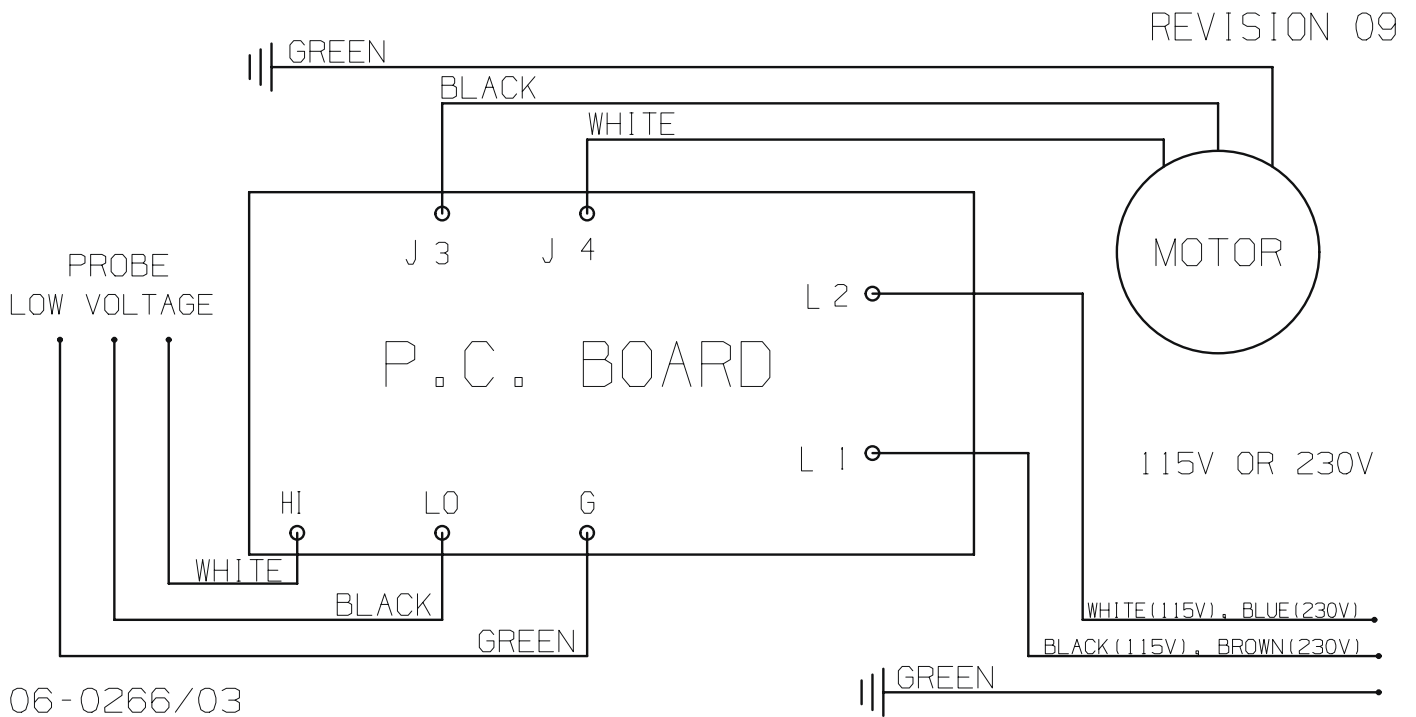
Item	Part No.	Description			
1	05-0528-01	Cover, Carb LLC	22	04-0247	Isolator, 1/4-20 Single Stud
2	04-0470	Screw, 6-19X0.500, PHD	23	52-0588	Power Cord Assy
3	12-0241	Boot, U-1403-APEM	-	52-1739	Carb Switch Assy (100 V only)
4	06-1289	Label, Test Switch, Carb	-	52-1898	Cord Assy, Carb, 220V
	06-3400	Label, Test/Reset Switch	24	04-0033/01	Washer, Flat, 4 x 0.065 x 0.281 ID
5	06-1236/01	Label, Troubleshoot	25	04-0520/01	Screw, 1/4-20 x 0.500, HHD, SS
7	04-0836/01	Washer, Lock, Internal Tooth	26	91-0008	Motor, Carb, 1/3 HP, 115V/60A
8	04-0049	Nut, Hex, 8-32, SS	-	91-0011/01	Motor, Carb, 1/3 HP, 220V/50Hz
9	04-0297	Nut, Hex, 8-32, KEPS, SS	-	91-0205	Motor, Carb, 1/3 HP 100-200 / 240V (100 V only)
10	06-0266/02	Label, Wiring Diagram	27	52-0585	Cord Assy, Motor
11	05-0017	Washer, Seal, Flare, Nylon, 3/8	28	13-0028	Relief, Strain, 7/8 DIA
12	87-0026	Tank Assy, Carb, 3/8, Flare	29	13-0008	Bushing Relief, HEYCO, 1200
13	48-2386	Tubing Assy, Water, 3/8	30	13-0026	Strain Relief, Small
14	17-0611	Check Valve, Vented, BR, ABCO	31	05-0529-01	Enclosure, Carb, Control, Self
	17-0611-01	Check Valve, SS	32	64-5000	PCB Assy
	17-0611-02	Check Valve, Vented, BR, ABCO, Low Lead (100 V only)	-	64-2962	PCB Assy, 220V
15	01-0111	Adapter, BR, 3/8 x 3/8	-	64-2962-01	PCB Assy, 220V w/Reset
16	86-0085	Pump Assy, Water, Replaceable	-	64-5076	PCB Assy, 220V w/Auto reset
17	07-0017/01	Clamp with Screw, ZP	-	64-5081	PCB Assy, w/Auto reset
18	04-0032/01	Nut, Nylock, 1/4-20, SS	-	64-5081	PCB Assy, 115V, Triac Drive, w/Auto reset (100 V only)
19	06-0075-01	Nameplate, Vinyl, PN/SN/ ELEC	33	54-0066	Relief Valve Assy, Plastic
20	07-0199/01	Plate, Base Probe, Carb	34	06-2590	Label, "Reset Button"
21	04-1361	Screw, 8-32 x 0.75, PH, SS	35	52-0590/01	Probe Assy

CHECK VALVE ASSEMBLY

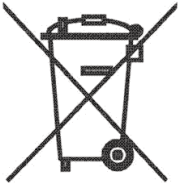


<u>Item</u>	<u>Part No.</u>	<u>Description</u>
1	17-0342	CO ₂ Check Valve Assy
2	01-0669	Body
3	02-0005	O-Ring
4	01-0689	Sleeve
5	01-0674	Ball
6	03-0021	Spring
7	02-0003	O-Ring

WIRING DIAGRAM



Dispenser Disposal



To prevent possible harm to the environment from improper disposal, recycle the unit by locating an authorized recycler or contact the retailer where the product was purchased. Comply with local regulations regarding disposal of the refrigerant and insulation.

LANCER[®]

Lancer Corp.
800-729-1500
Technical Support/Warranty: 800-729-1550
custserv@lancercorp.com
lancercorp.com