

FETCO®

LUXUS® L4D & L4S Thermal Dispensers User's Guide



L4D-10
1 gallon
D448



L4D-15
1½ gallon
D449



L4D-20
2 gallon
D450

©2017-2020 Food Equipment Technologies-FETCO®
600 Rose Rd. Lake Zurich, IL 60047-0429 USA
☎: (800) 338-2699 or (847) 719-3000
website: www.fetco.com email: info@fetco.com
To purchase products or parts: orders@fetco.com
For parts or service inquires: techsupport@fetco.com
PATENTED PATENTS: WWW.fetco.com/patents

LUXUS®


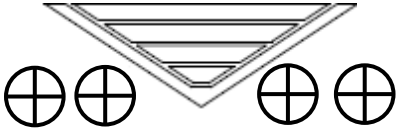
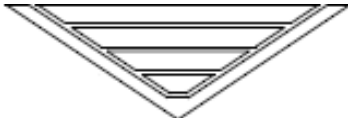




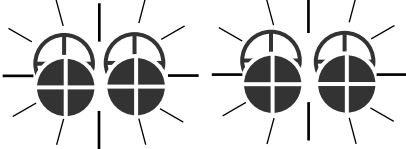



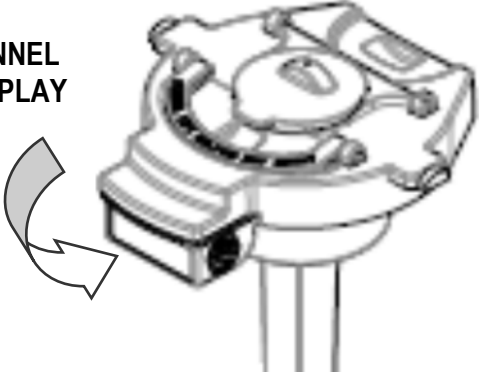


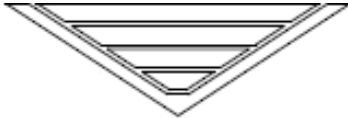


fetco.com

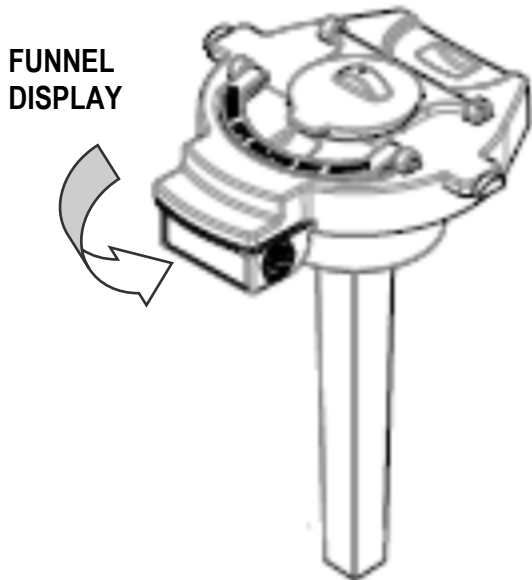


P157 Rev.:001 January 2020

BREW FUNNEL DISPLAY

Freshness Timer®	FETCO indicator funnel	Volume Indicator
Quad icons, each divided into quarter hours segments—The four icons represent a time range of four hours	Blank indicator funnel display is shown, dispenser is "Ready" for brewing	Lower "VEE"+ four upper bars represent 20% increments of fill level of the dispenser
	BLANK: Empty—Ready To Brew 	"READY" TO BREW 
1-15...minute time range		Fifth Level-FULL 
16-30...minute time range		Fourth Level=80% filled 
<p>...Some displays are omitted for clarity</p> <p>Slowly pulsing display: ...more than 4 hours</p>	 ...Active On & Off...	Third Level= 60% filled 
<p>Time is reset when dispenser is completely emptied, when funnel is removed, or when enough liquid is added to increase the volume by at least one level</p>	 NO DISHWASHER	Second Level=40% filled 
<p>FUNNEL DISPLAY</p> 	 NO MICROWAVE Clean and dry funnel by hand only	First Level=20% filled 
		DISPENSER EMPTY 

Time is reset when dispenser is completely emptied, when funnel is removed, or when enough liquid is added to increase the volume by at least one level



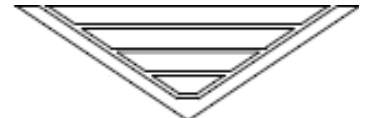
NO DISHWASHER



NO MICROWAVE
Clean and dry funnel by hand only

Lower "VEE"+ four upper bars represent 20% increments of fill level of the dispenser

"READY" TO BREW



Fifth Level-FULL



Fourth Level=80% filled



Third Level= 60% filled



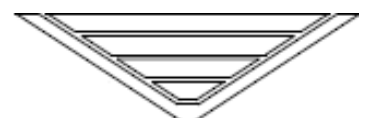
Second Level=40% filled

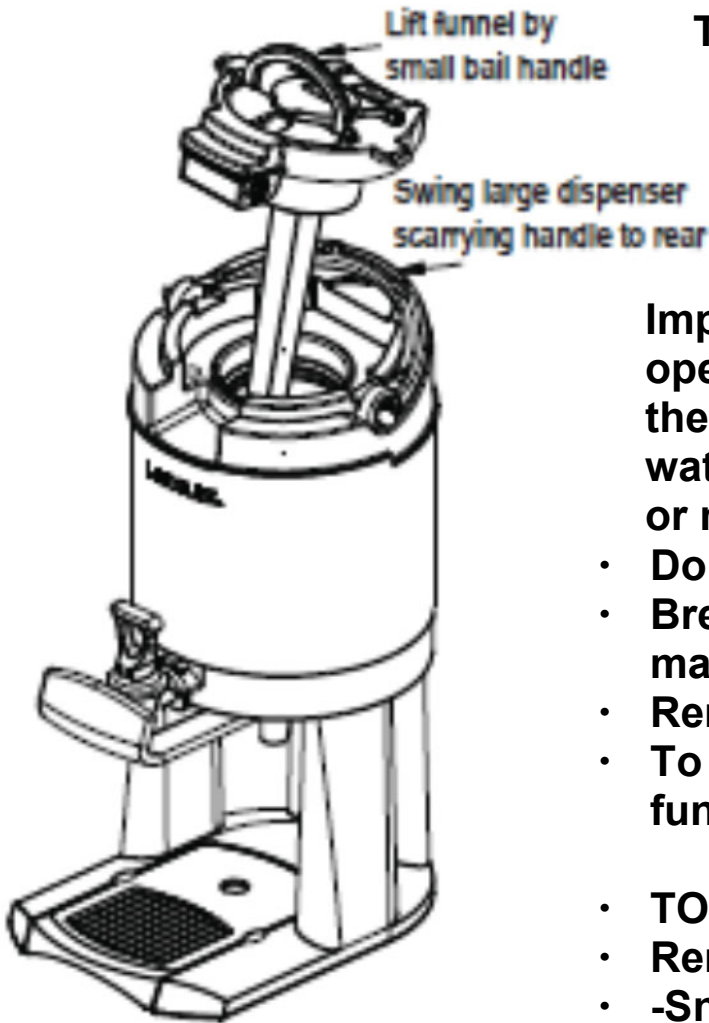


First Level=20% filled



DISPENSER EMPTY





TO REMOVE FUNNEL ASSEMBLY

NOTE:

- NEVER carry dispenser by the bail handle
- Swing large carrying handle to rear
- Lift funnel by small bail handle

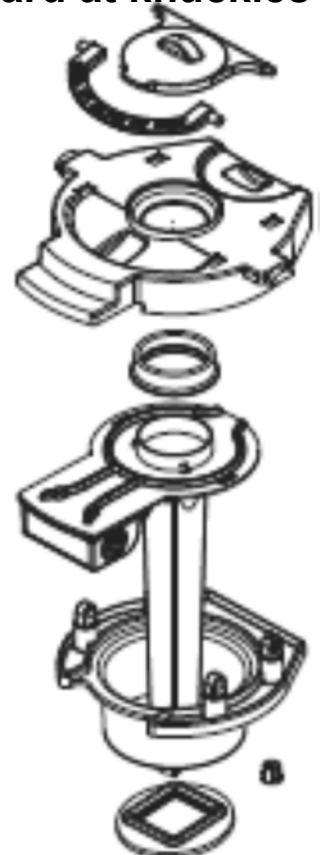
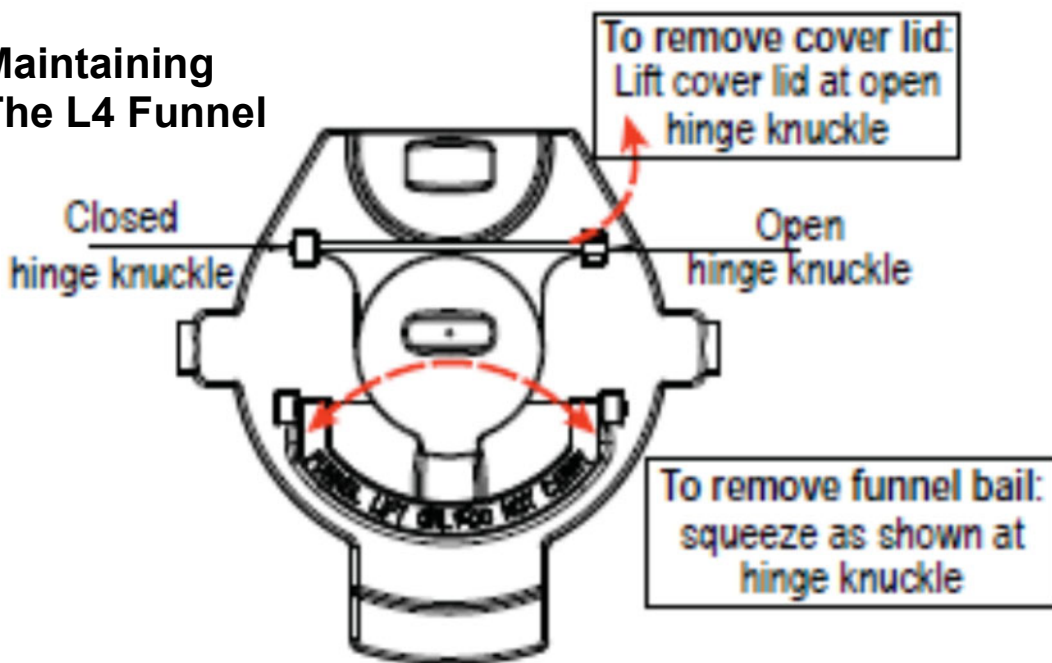
Important Notice: To maintain proper operation of the funnel display, clean the funnel stem daily under running water with detergent and sponge, or non-abrasive pad or towel.

- Do not submerge
- Brew funnel must be removed for manual filling of dispenser.
- Removing the funnel resets timer.
- To extend battery life, remove the funnel when not in use.

(Battery cannot be replaced.)

- **TO ACCESS BREW FUNNEL**
- Remove both plug and bail handle
- -Snap cover out at OPEN hinge knuckle
- -Squeeze funnel bail inward at knuckles to remove

Maintaining The L4 Funnel



IMPORTANT SAFEGUARDS

- ▶ To prevent overflows, make sure the dispenser is completely empty before brewing.
- ▶ Always remove the funnel for manual filling of the dispenser.
- ▶ Use only the large handle to lift or carry the dispenser.
- ▶ NEVER use the small funnel bail to lift or carry the dispenser
- ▶ Do not use the faucet guard to pull or lift the dispenser.
- ▶ Do not submerge the brew funnel
- ▶ Do not use bleach or cleaners containing chlorides.
- ▶ Do not use solvent based cleaner or polish on this equipment
- ▶ Never use a cleaner on any food equipment that contains the solvent diethylene glycol butyl ether (DGBE) .
- ▶ Use only non-metallic brushes and non-abrasive cleaning pads.

CLEANING AND MAINTENANCE

Detailed instructions are available on our web site, www.fetco.com.

Daily:



Important Notice: To maintain proper operation of the funnel display, clean the funnel stem daily under running water with detergent and a non-abrasive sponge or towel.

DO NOT SUBMERGE FUNNEL OR DISPENSER.

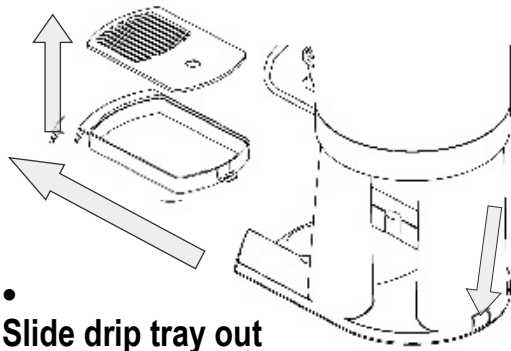
- ▶ Use any commercial beverage urn cleaner to clean the inside of the dispenser. Follow the cleaner manufacturer's instructions. Make sure to thoroughly rinse the dispenser after cleaning.
- ▶ Wash the drip tray and other plastic parts with dish detergent. Avoid abrasives.
- ▶ To sanitize the dispenser before filling, brew a batch of water only (no coffee) into the dispenser and allow it to rest for 10 minutes.

Weekly, or as needed:

- ▶ Remove the faucet upper assembly and inspect the seat cup for wear. Clean or replace if necessary.

Accessing Dispenser Parts

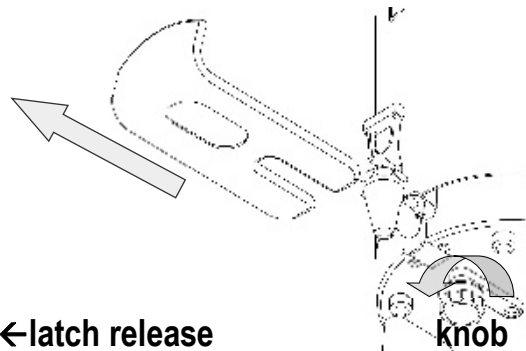
REMOVING THE DRIP TRAY



• Slide drip tray out

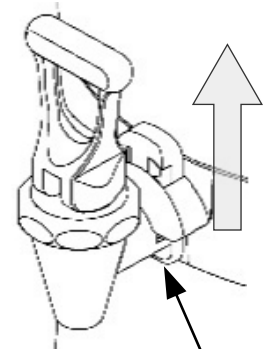
REMOVING THE FAUCET GUARD

- 1) Unscrew knob approximately four turns
- 2) Slide faucet guard out.

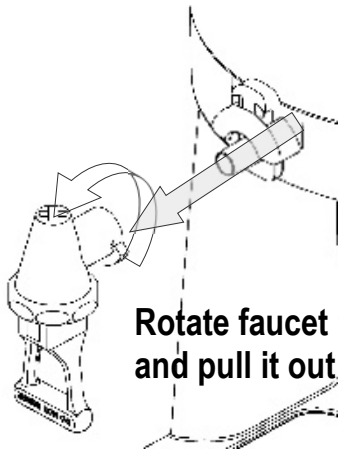


← latch release

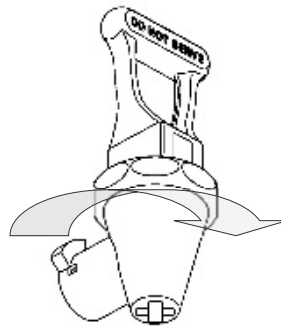
REMOVING THE FAUCET



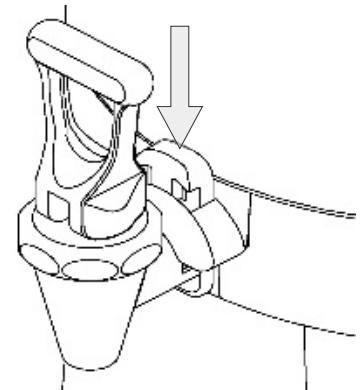
Press faucet release latch up.



Rotate faucet 180° and pull it out

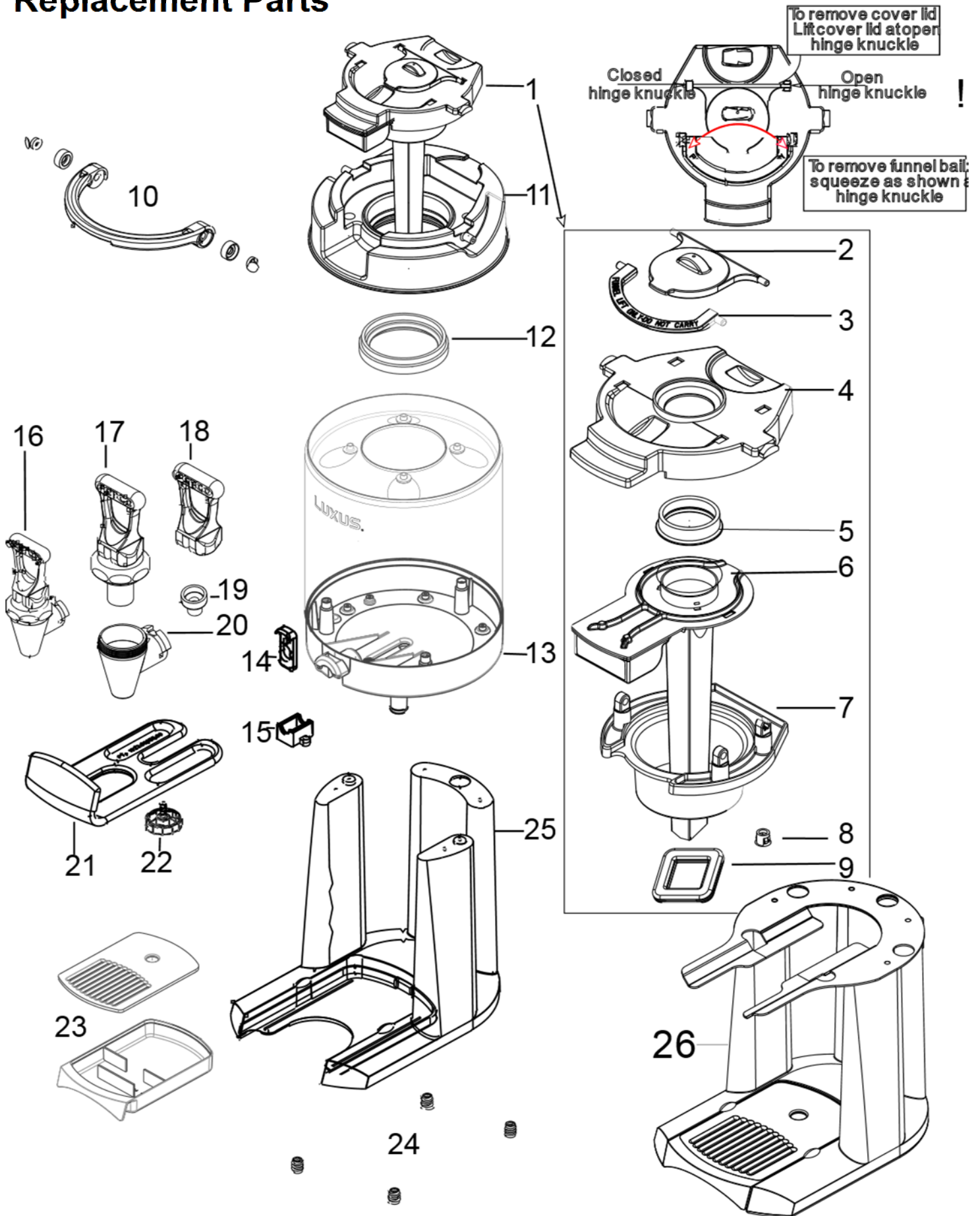


Unscrew faucet upper assembly to clean or replace seat cup. Hand tighten only!



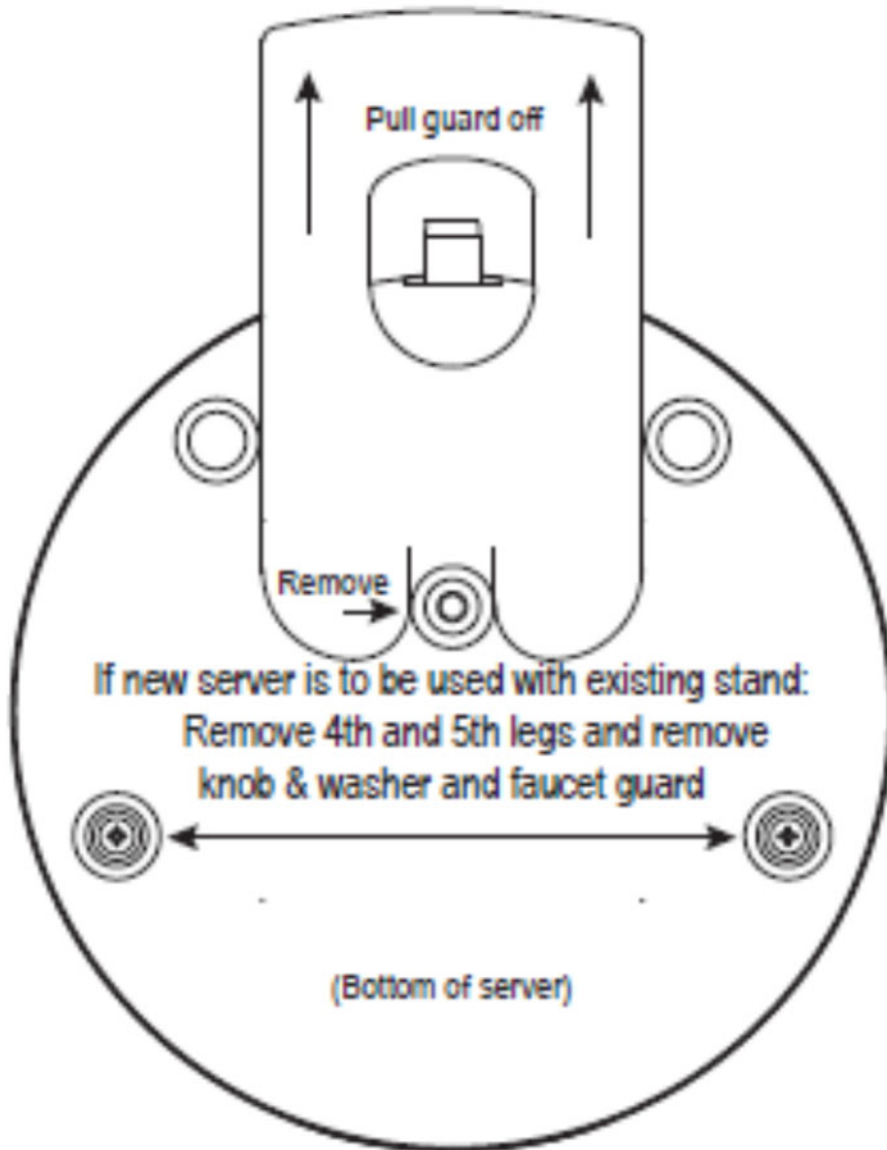
Reverse procedure to re-install faucet. Press release latch down to lock faucet into place--!!Click!! Last: Reinstall faucet guard

Replacement Parts



#	Description	L4D10 & L4S10	L4D15 & L4S15	L4D20 & L4S20
1	Funnel Assembly complete Black plug 1.0	1102.00350.BK		
1	Funnel Assembly complete Grey plug 1.0	1102.00350.GY		
1	Funnel Assembly complete Black plug 1.5		1102.00347.BK	
1	Funnel Assembly complete -Grey plug 1.5		1102.00347.GY	
1	Funnel Assembly complete Black plug 2.0			1102.00366.BK
1	Funnel Assembly complete -Grey plug 2.0			1102.00366.GY
2	Plug Cover - Gray [GR]	1023.00277.GY	1023.00277.GY	1023.00277.GY
2	Plug Cover - Black [BK]	1023.00277.BK	1023.00277.BK	1023.00277.BK
3	Funnel Bail Handle	1023.00278.00	1023.00278.00	1023.00278.00
4	Funnel Top Cover	1023.00283.00	1023.00279.00	1023.00279.00
5	Funnel Top Gasket	1029.00014.00	1029.00016.00	1029.00016.00
6	Indicator Funnel (L410)	1102.00142.00		
6	Indicator Funnel (L4S/L4D 15)		1102.00149.00	
6	Indicator Funnel (L4S/L4D 20)			1102.00175.00
7	Funnel Cup (L410; L4S/L4D 15/20)	1023.00285.00	1023.00281.00	1023.00281.00
8	Funnel Plug	1029.00010.00	1029.00010.00	1029.00010.00
9	Funnel Bottom Gasket (L410; L4S/L4D 15/20)	1029.00013.00	1029.00015.00	1029.00015.00
10	Handle With Hardware (L410; L4S/L4D 15/20)	1000.00111.00	1000.00112.00	1000.00112.00
11	Top L4D (L4S/L4D 15/20)	1023.00286.00	1023.00282.00	1023.00282.00
12	Neck Gasket	1024.00070.00	1024.00070.00	1024.00070.00
13	Bottom (L410; L4S/L4D 15/20)	1102.00363.00	1102.00361.00	1102.00361.00
14	Faucet Lock	1023.00069.00	1023.00069.00	1023.00069.00
15	Insert, Bottom	1023.00083.00	1023.00067.00	1023.00067.00
16	Faucet Assembly Complete	1102.00055.00	1102.00055.00	1102.00055.00
17	Faucet Upper Assy Black (Standard)	1071.00020.00	1071.00020.00	1071.00020.00
*17B	Faucet Upper Assy Orange Handle "DECAF"	1071.00030.00	1071.00030.00	1071.00030.00
*17C	Faucet Upper Assy Green Handle	1071.00031.00	1071.00031.00	1071.00031.00
*17D	Faucet Upper Assy Blue Handle	1071.00032.00	1071.00032.00	1071.00032.00
18	Faucet Handle, Black (Standard)	1071.00022.00	1071.00022.00	1071.00022.00
* 8B	Faucet Handle, Red "HOT WATER"	1071.00040.00	1071.00040.00	1071.00040.00
19	Faucet Seat Cup	1071.00013.00	1071.00013.00	1071.00013.00
20	Faucet Housing Assy	1000.00012.00	1000.00012.00	1000.00012.00
21	Faucet Guard (L410; L4S/L4D 15/20)	1023.00076.00	1023.00055.00	1023.00055.00
22	Knob & Washer (Faucet Guard)	1000.00010.00	1000.00010.00	1000.00010.00
23	Drip Tray Assy (L410; L4S/L4D 15/20)	1000.00013.00	1000.00014.00	1000.00014.00
24	Anti-Slip Foot	1024.00069.00	1024.00069.00	1024.00069.00
25	Stand Assy (L410; L4S/L4D 15/20)	1000.00015.00	1000.00016.00	1000.00016.00
26	Stand Assy (L410; L4S/L4D 15/20) Single	A14700000	A15000000	A15000000
*26B	Stand Assy (L410; L4S/L4D 15/20) Twin	A14800000	A15100000	A15100000
*26C	Stand Assy (L410; L4S/L4D 15/20) Triple	A14900000	A15200000	A15200000

* (NOT SHOWN)



LUXUS[®]