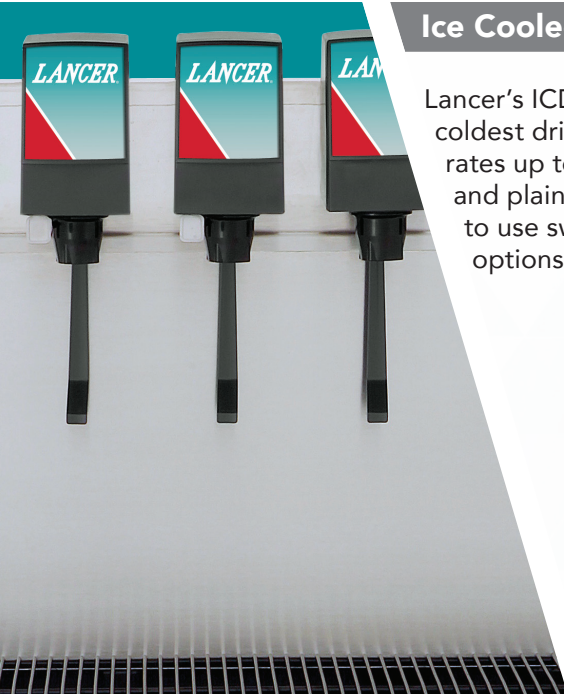


ICDI 2300 – High Performance

Ice Cooled Drop In Dispenser

Lancer's ICDI High Performance series utilizes advanced engineering simulations for the coldest drinks in the industry. It exceeds all industry standards for draw capacity with flow rates up to 4.5 oz. per second. Also, changing flavors is easier than ever with full carbonation and plain water flexibility. There are no longer any plumbing changes required with an easy to use switch over fitting. The ICDI 2300 High Performance is now available with even more options. Choose between 6, 8, or 10 valves.



FRONT
PLUMBING INLETS



IMPROVED
SERVICEABILITY/
CLEANABILITY



100 lb
ICE CAPACITY



100% CARB/
PLAIN WATER
FLEXIBILITY



INDUSTRY EXCLUSIVE
DEEP WALL
COLD PLATE



UP TO 4.5oz
FLOW RATE



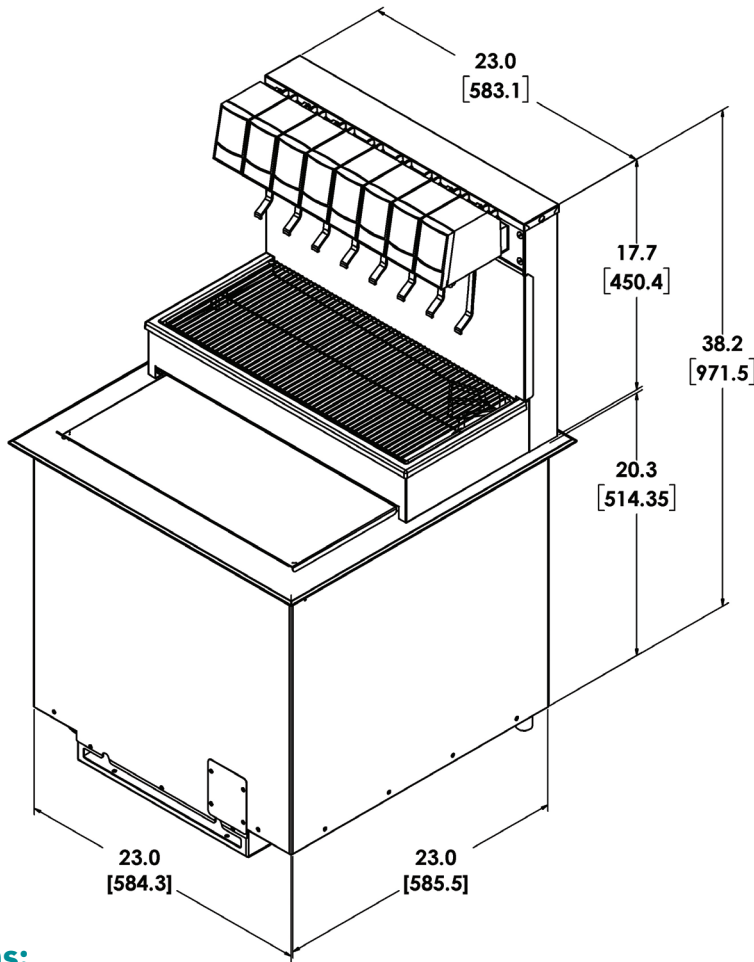
STAINLESS STEEL
HARD PLUMBED
TOWERS

Lancer Corp. 6655 Lancer Boulevard · San Antonio, TX 78219
210-310-7000 · 1-800-729-1500 · Fax: 210-310-7250 · lancercorp.com

LANCER®

LEADER IN BEVERAGE FLUIDICS

ICDI 2300 – High Performance



Specifications:

DIMENSIONS

Height: 38.2" (970.28 mm)
Width: 23" (584 mm)
Depth: 23" (584 mm)

COUNTER CUT-OUT

Width: 23.25" (591 mm)
Depth: 23.25" (591 mm)

ELECTRICAL

115V/60Hz
220-230V/50-60Hz

WEIGHT

Operating: 240 lbs (108.86 kg)
Shipping: 266 lbs (120.65 kg)

ICE

Capacity: 100 lbs (45 kg)

FITTINGS

Soda inlets: 3/8" (9.5 mm) male barb
Syrup inlets: 3/8" (9.5 mm) male barb

VALVES

LEV® and other valves available upon request

FLEX MANIFOLD CONFIGURATION

6 valve, 8 valve, 10 valve
Full Plain Water and Carbonated Water
Flexibility

KEY LOCK SWITCH

**MEETS OR EXCEEDS INDUSTRY
STANDARDS FOR PERFORMANCE**

Options:



Marquee



Merchandiser



Splash Guards



Power Supply

6 valve to 8 valve conversion kit: PN #82-6351

Water Spigot: PN #82-3903

Certifications:



Customer Service:

Should you require more information about our products, please do not hesitate to contact our customer service desk at custserv@lancercorp.com.

Lancer Corp. 6655 Lancer Boulevard · San Antonio, TX 78219
210-310-7000 · 1-800-729-1500 · Fax: 210-310-7250 · lancercorp.com

Warranty:

For warranty specifics by product, contact your Lancer Sales Representative. Equipment design and/or specifications are subject to change without notice.

LANCER®

LEADER IN BEVERAGE FLUIDICS