



MF11256 ON B55

## Features

- Only 21" (533 mm) wide.
- Produces up to 1,149 lbs (521 kg) of ice per day.
- *SystemSafe* load monitoring system constantly checks workload on gearbox - shutting down system before a problem develops and preventing costly repairs.
- Water sensor eliminates low or no water failures and cannot be affected by adverse water conditions.
- Rugged stainless steel evaporator and auger ensures reliability.
- Industrial-grade roller bearings and heavy-duty gearbox provide years of trouble-free service.

## Options & Accessories

WATER FILTERS			
Ice Machine Model	Manifold		Inline
	System	Replacement	System
MF11256	IFQ2	IOMQ (2)	n/a
MF11255			

## Ice Maker Warranty

Every Ice-O-Matic ice maker is backed by a warranty that provides both parts and labor coverage.

- Three years **Parts and Labor**.
- Five years **Parts** coverage on the compressor.

## Ice Form



FLAKED ICE

## Bin Chart Kits for Combining Wider Bins with Smaller Models

ICE STORAGE BINS										
Model No.	B25	B40	B42	B55	B700	B1000	B100	B1300	B1325	B1600
Capacity	242 lbs (110 kg)	344 lbs (156 kg)	351 lbs (160 kg)	510 lbs (232 kg)	680 lbs (308 kg)	1000 lbs (454 kg)	854 lbs (388 kg)	1320 lbs (599 kg)	1325 lbs (601 kg)	1660 lbs (753 kg)
Width	30 in (762 mm)	30 in (762 mm)	22in (559 mm)	30 in (762 mm)	30 in (762 mm)	30 in (762 mm)	48 in (1219 mm)	48 in (1219 mm)	60 in (1524 mm)	60 in (1524 mm)
MF11256	KBT19		KBT24	KBT19	not recommended		KBT23	●●	●●	
MF11256 (2)	N/A						KBT22	●●	●●*	
MF11255	KBT19		KBT24	KBT19	not recommended		KBT23	●●	●●	
MF11255 (2)	N/A						KBT22	●●	●●*	

See Ice-O-Matic Price List for Adapter Kits to combine ice makers with most available ice/beverage dispensers.

●● Kit not required. Hold down securement recommended.

\*Must be specified as a two machine, side-by-side application when ordering or additional charges will apply.

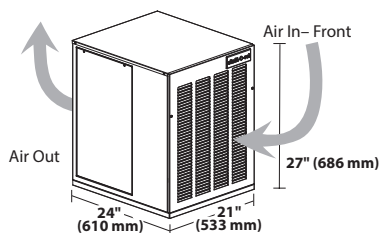
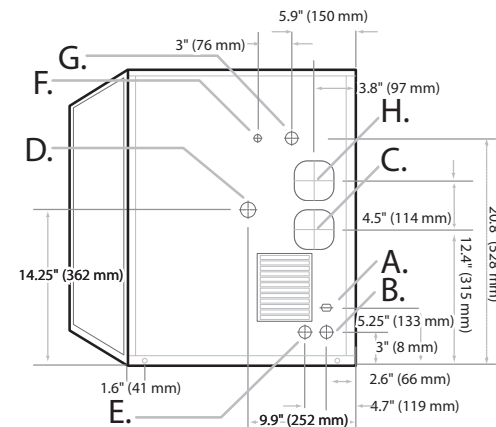
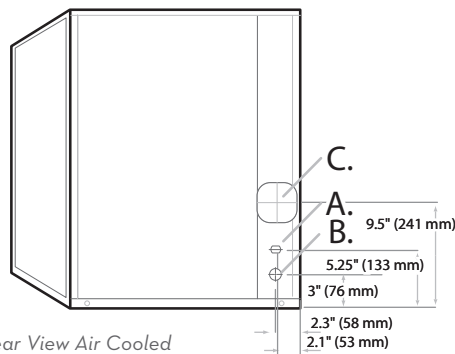




## Air Cooled

Please note: air-cooled units require 6" (152 mm) clearance for air intake and exhaust.

- A. Ice maker potable water in, 3/8" FPT.
- B. Drain, 3/4" FPT.
- C. Hole for electrical connection.
- D. Condenser inlet (water cooled only) 3/8" FPT.
- E. Condenser drain (water cooled only) 1/2" FPT.
- F. Liquid line, 3/8" male coupling for precharged line set (remote only).
- G. Discharge line, 1/2" male coupling for precharged line set (remote only).
- H. Remote condenser junction box (remote only).



## Operating Requirements

	MINIMUM	MAXIMUM	
		60 Hz	50Hz
Ambient Temp. Range Air	50 °F (10 °C)	100 °F (38 °C)	110 °F (43 °C)
Water Temp.	40 °F (4.4 °C)		90 °F (32 °C)
Water Pressure	20 PSIG (1.4 BAR)	120 PSIG (8.3 BAR)	

## Dimensions

ALL MODELS	
W x D x H (in.)	21 x 24 x 27
W x D x H (mm)	533 x 610 x 686

## Specifications

Model Number	Cond. Unit	Ice Production per 24 hrs		Water Usage gallons per 100 lbs of Ice 90°F air/70°F water		kWH Used per 100 lbs of ice @ 90°F air/70°F water	Voltage Characteristics	Min. Circuit Ampacity	Fuse Size	Approx. BTUs** per hour
		70°F air/50°F water lbs (kg)	90°F air/70°F water lbs (kg)	Potable	Condenser					
MF11256A ★	Air	1,149 (521)	885 (401)	12.0	-	3.60	208-230/60/1	11.8	15	9000
MF11256W	Water	1,137 (516)	959 (435)		70	2.70				
MF11256R ★	Remote*	1,054 (478)	950 (431)		-	3.65		15.3	20	
MF11255A	Air	1,260 (572)	900 (408)		-	3.25	220-240/50/1	13.4	20	
MF11255W	Water	1,230 (558)	1,000 (454)		75	2.60		13.1	15	

\*Requires GRC 1061 Condenser.

\*\*BTU/h is calculated to O°F Evaporator, 100°F Condensing, and 33 PSIG. Value is estimated.

### NOTES:

Number of Wires: 3 (including ground)  
 Approx. Shipping Weight lbs (kg): MF11255A 215 (98) • MF11255W 230 (104) • MF11256A 215 (98) • MF11256W 210 (95) • MF11256R 230 (104)  
 Refrigerant Type: R404A

★ENERGY STAR qualified machine. Please see our website [www.iceomatic.com](http://www.iceomatic.com) for the latest list of ENERGY STAR qualified machines and available rebates

MF11256/1255 FLAKE ICE MAKER