



# KMD-410M\_H

## MODULAR CRESCENT CUBER



KMD-410M\_H  
04/11/17  
Item # 13247


**W x D x H**  
22" x 24" x 24"


**KMD-410MAH**  
Air-Cooled  
Shown on an optional  
Lancer 22" dispenser

**KMD-410MWH**  
Water-Cooled



## Features

- ▶ Individual crescent cube
- ▶ Stainless steel evaporator
- ▶ CycleSaver™ design 

- Up to 440 lbs. of ice production per 24 hours
- Durable stainless steel exterior
- EverCheck™ alert system 
- Removable air filters (Air-cooled model only)
- R-404A Refrigerant

### Available on Bins:

**B-250PF** **BD-500PF/SF** **B-800PF/SF**  
**B-500PF/SF** **B-700PF/SF** **B-900PF/SF**

Top kit may be required. See Bin Spec Sheets.

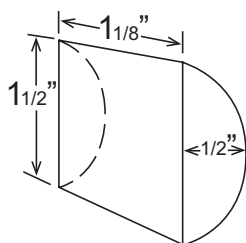
### Warranty:

3 Year Parts & Labor on entire machine. 5 Year Parts & Labor on Evaporator. 5 Year Parts on Compressor; air-cooled condenser coil. Valid in United States, Canada, Puerto Rico and U.S. Territories. Contact factory for warranty in other countries.



Condenser	Model	ICE PRODUCTION				WATER USAGE			ELECTRICAL			Heat Rejection BTU/hr.	Shipping Weight	ENERGY STAR®
		Air / Water Temp Lbs. per 24 hours		Per Cycle		Potable Gal. per 100 lbs.	Condenser Gal. per 100 lbs.	kWh Used per 100 lbs.	Max. Fuse Size or HACR Circuit Breaker	Amperage	Voltage			
		70°/50°F	90°/70°F	Lbs.	Cubes	90°/70°F	90°/70°F	90°/70°F						
Air-Cooled	KMD-410MAH	415	324	8.5	416	22.6	N/A	5.8	20A	8.0A	115V/60/1	6,000	161 lbs.	
Water-Cooled	KMD-410MWH	440	382	8.2	416	23.2	145	4.3	20A	6.5A	115V/60/1	6,300	163 lbs.	

### KM Cube Dimensions\*



\* approximate size in inches, image not to scale

### Operating Limits

- Ambient Temp Range 45 - 100°F
- Water Temp Range 45 - 90°F
- Water Pressure 10 - 113 PSIG
- Voltage Range 104-127V

### Service

- Panels easily removed and all components accessible for service.
- For proper air circulation and ease of maintenance/service, allow 6" (15 cm) clearance at rear, left side, and top and allow 12" (30 cm) clearance at right side for both air-cooled and water-cooled models.

### Plumbing

- Icemaker Water Supply Line: Minimum 1/4" Nominal ID Copper Water Tubing or Equivalent
- Icemaker Drain Line: Minimum 3/4" Nominal ID Hard Pipe or Equivalent
- Water-Cooled Model (Lines Must Be Independent of Icemaker)
- Condenser Water Supply Line: Minimum 1/4" Nominal ID Copper Water Tubing or Equivalent
- Condenser Drain/Return Line: Minimum 1/4" Nominal ID Hard Pipe (open drain system) or Copper Water Tubing (closed loop system) or Equivalent



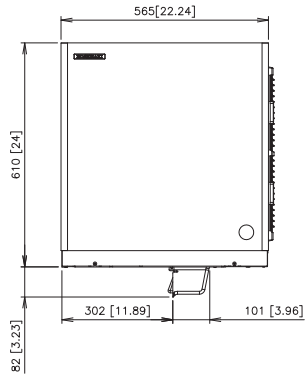
# KMD-410M\_H

## MODULAR CRESCENT CUBER

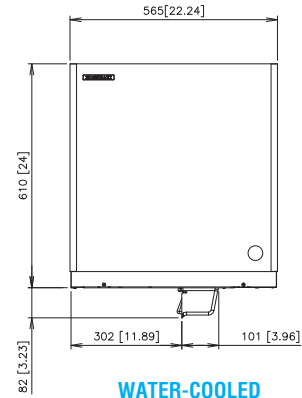


KMD-410M\_H  
04/11/17  
Item # 13247

### FRONT VIEW

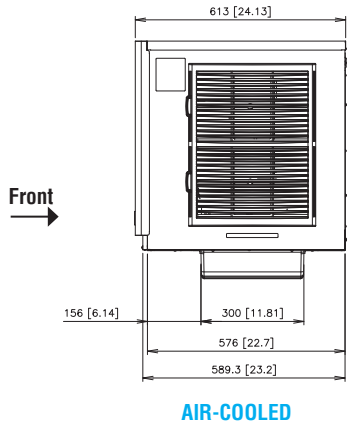


**AIR-COOLED**

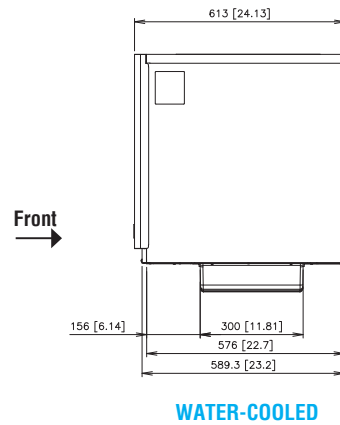


**WATER-COOLED**

### SIDE VIEW

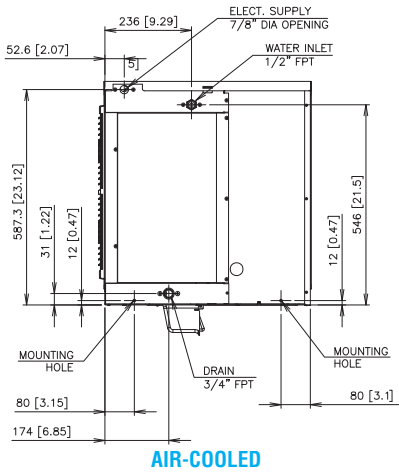


**AIR-COOLED**

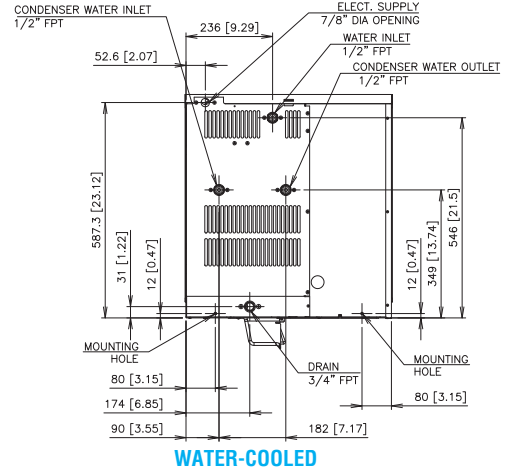


**WATER-COOLED**

### REAR VIEW

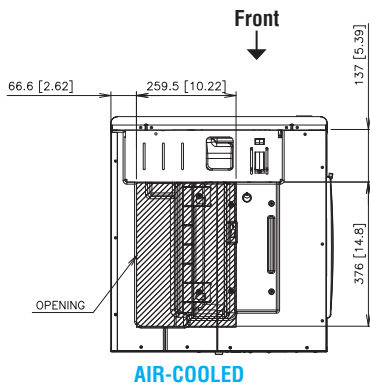


**AIR-COOLED**

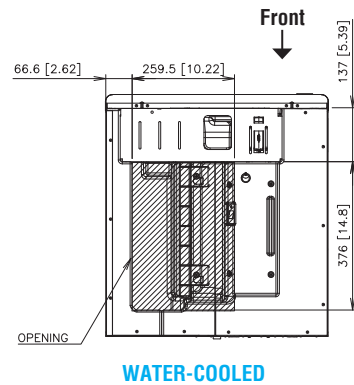


**WATER-COOLED**

### BOTTOM VIEW



**AIR-COOLED**



**WATER-COOLED**