

# Hoshizaki America, Inc.

Modular Crescent Cuber

Model  
KMD-410MWH



“A Superior Degree  
of Reliability”

[www.hoshizaki.com](http://www.hoshizaki.com)

## PARTS LIST



Number: F044-3238  
Issued: 7-23-2009  
Revised: 5-6-2016

## Auxiliary Codes

|                   |     |               |
|-------------------|-----|---------------|
| <b>KMD-410MWH</b> | U-1 | July 2009     |
|                   | V-0 | January 2010  |
|                   | V-1 | February 2010 |
|                   | V-2 | July 2010     |
|                   | A-0 | January 2011  |
|                   | A-1 | April 2011    |
|                   | F-0 | January 2016  |
|                   | F-1 | May 2016      |

## Auxiliary Code Breakdown

The auxiliary code is the first two characters in the serial number. The first character indicates the year. Years progress or regress in alphabetical order. The series runs from "A" through "V" and the letters "I" and "O" are skipped. The second character indicates significant part changes within a year. Base is "0" and this number advances for each change. In cases where there is a letter in parentheses, this designates the month. This is the last character in the serial number. The series runs from "(A)" through "(M)" and the letter "(I)" is skipped. This designation is only included when identifying a parts change within an auxiliary code.

## Note About Ordering Parts

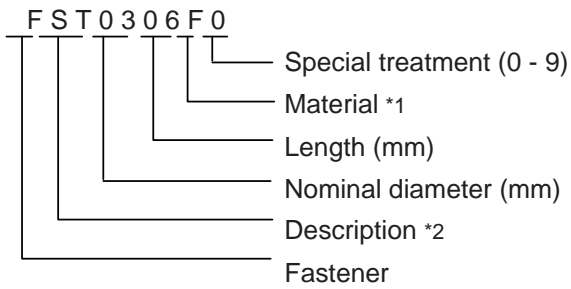
Most assemblies cannot be ordered as complete units; parts in the assemblies generally must be ordered separately.

## MARKS LOCATED UNDER THE AUXILIARY CODE

- = Part deleted.
- x = Part deleted and replaced by "o" part.
- o = New part in place of "x" part.

## FASTENER PART NUMBER

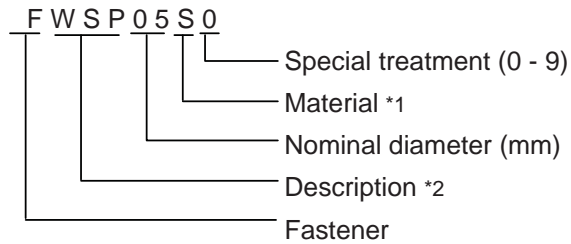
### SCREWS



\*1

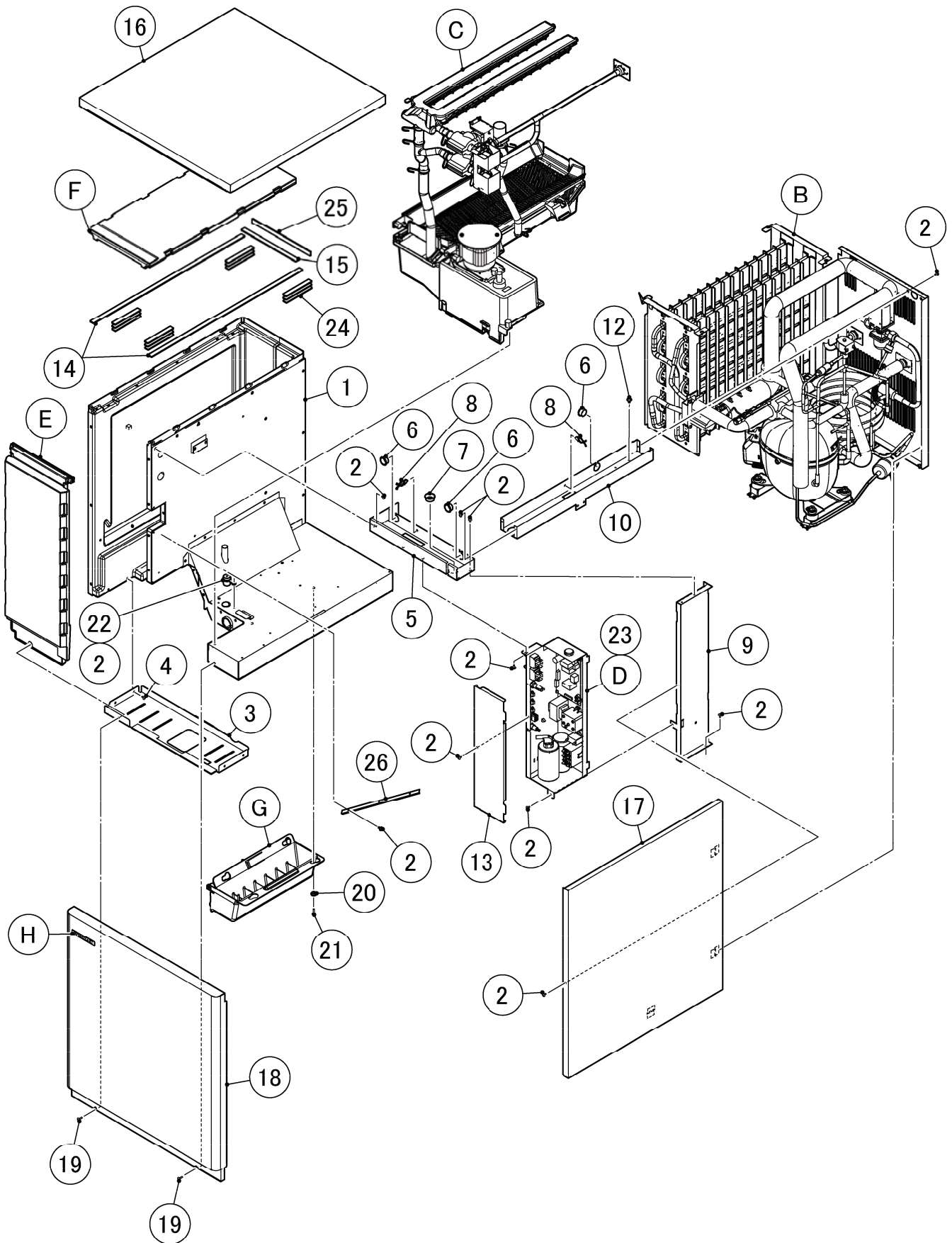
- F: Steel
- S: Austenitic stainless steel
- M: Martensitic stainless steel
- B: Copper alloy
- P: Polycarbonate
- N: Polyamide
- V: PVC
- A: ABS
- X: Polyacetal
- L: Aluminum

### NUTS & WASHERS



\*2

- First letter
- S: Machine screw
- T: Tapping screw
- M: Wood screw
- B: Bolt
- W: Washer
- N: Nut

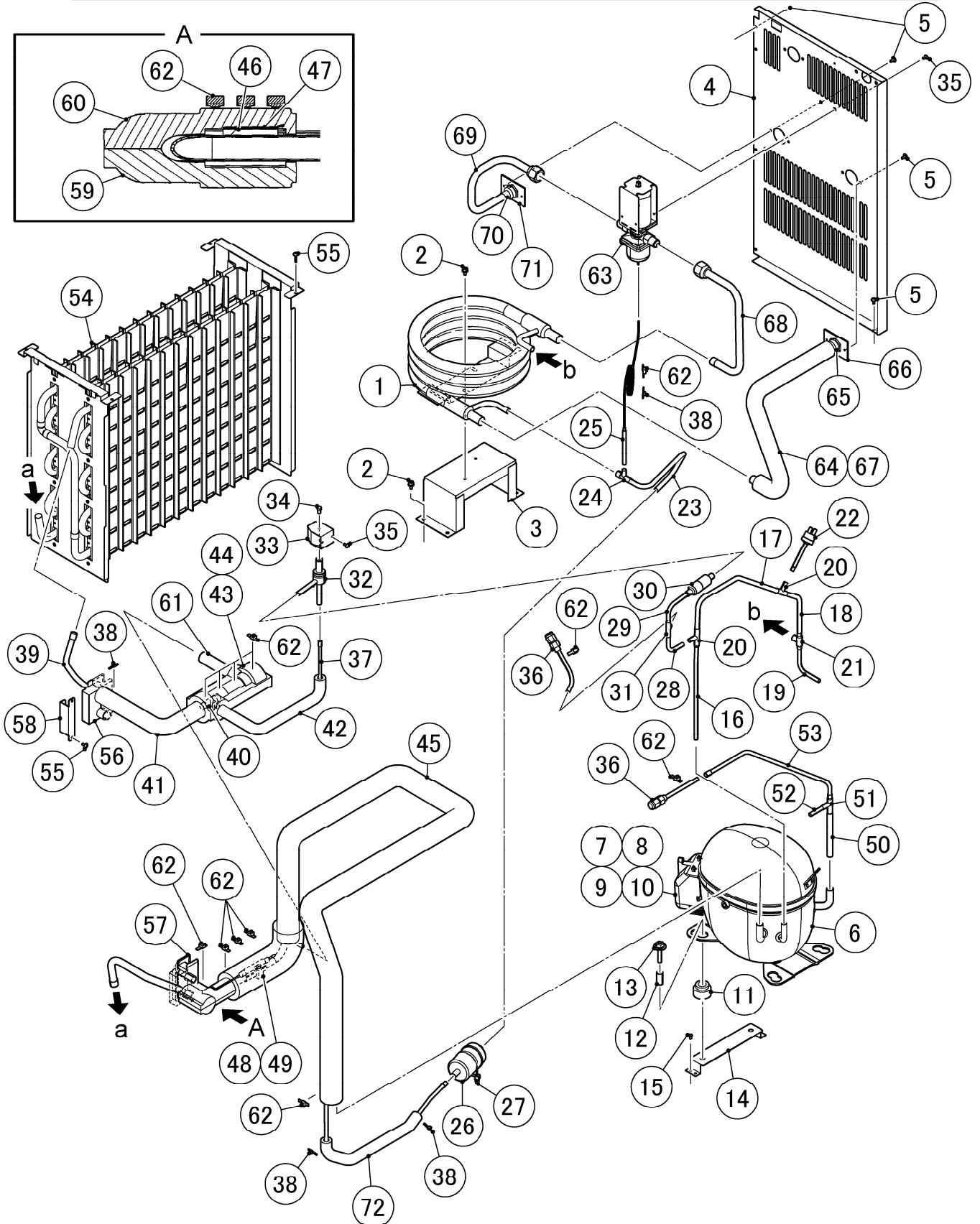


HA

| MODEL: <b>KMD-410MWH</b> |                       | TITLE: <b>A. ICE CUBER ASSY</b> |             |              |     |         |     |
|--------------------------|-----------------------|---------------------------------|-------------|--------------|-----|---------|-----|
| INDEX NO.                | DESCRIPTION           | MATERIAL OR MODEL NUMBER        | PART NUMBER | REQ'D NUMBER |     |         |     |
|                          |                       |                                 |             | U-1,V-0      | V-1 | V-2,A-0 | A-1 |
| B                        | REFRIGERATION CIRCUIT |                                 | 119827A01   | 1            | 1   | 1       | 1   |
| C                        | WATER CIRCUIT         |                                 | 119820A01   | 1            | 1   | 1       | 1   |
| D                        | CONT. BOX ASSY        |                                 | 257522A01   | 1            | 1   | 1       | 1   |
| E                        | FRONT INSULATION ASSY |                                 | 371887A01   | 1            | 1   | 1       | 1   |
| F                        | TOP INSULATION ASSY   |                                 | 374537A01   | 1            | 1   | 1       | 1   |
| G                        | BIN SWITCH            |                                 | 371886A01   | 1            | 1   | 1       | 1   |
| H                        | LABEL LOCATION        |                                 | 119828A01   | 1            | 1   | 1       | 1   |
| K                        | ACCESSORIES           |                                 | A01924-01   | 1            | 1   | 1       | 1   |
|                          |                       |                                 |             |              |     |         |     |
| 1                        | EVAP. CASE            |                                 | 119110G05   | 1            | 1   | 1       | 1   |
| 2                        | T2 SCREW              | 4X8                             | FT20408F0   | 15           | 15  | 15      | 18  |
| 3                        | BOTTOM FRAME          |                                 | 371876M01   | 1            | 1   | 1       | 1   |
| 4                        | T2 SCREW              | 4X8 SUS                         | FT20408M0   | 4            | 4   | 4       | 4   |
| 5                        | TOP FRAME             |                                 | 371867M01   | 1            | 1   | 1       | 1   |
| 6                        | BUSHING               | OCB-875                         | 428394-04   | 3            | 3   | 3       | 3   |
| 7                        | BUSHING               | OCB-750                         | 428394-01   | 1            | 1   | 1       | 1   |
| 8                        | CLAMP                 | No.249                          | 427902-03   | 2            | 2   | 3       | 3   |
| 9                        | SIDE FRAME (A)        |                                 | 371873M01   | 1            | 1   | 1       | 1   |
| 10                       | SIDE FRAME (B)        |                                 | 371866M01   | 1            | 1   | 1       | 1   |
| 44                       | SQUARE WASHAR         |                                 | 433537-02   | 4            | 4   | 4       | 4   |
| 12                       | SCREW - GROUNDING     |                                 | 433304-02   | 1            | 1   | 1       | 1   |
| 13                       | CONT. BOX COVER       |                                 | 371874M01   | 1            | 1   | 1       | 1   |
| 14                       | GASKET                | L=563                           | 119826Z01   | 2            | 2   | 2       | 2   |
| 15                       | GASKET                | L=203                           | 119826Z02   | 1            | 1   | 1       | 1   |
| 16                       | TOP PANEL             |                                 | 255967M02   | 1            | 1   | 1       | 1   |
| 17                       | SIDE PANEL (R)        |                                 | 255966G04   | 1            | 1   | 1       | 1   |
| 18                       | FRONT PANEL           |                                 | 373166G01   | 1            | 1   | 1       | 1   |
| 19                       | TRUSS HEAD SCREW      | 4X20 SUS                        | FST0420S0   | 2            | 2   | 2       | 2   |
| 20                       | COLLAR                |                                 | 435269-01   | 4            | 4   | 4       | 4   |

HA

| MODEL: <b>KMD-410MWH</b> |                    | TITLE: <b>A. ICE CUBER ASSY</b> |             |              |     |         |     |
|--------------------------|--------------------|---------------------------------|-------------|--------------|-----|---------|-----|
| INDEX NO.                | DESCRIPTION        | MATERIAL OR MODEL NUMBER        | PART NUMBER | REQ'D NUMBER |     |         |     |
|                          |                    |                                 |             | U-1,V-0      | V-1 | V-2,A-0 | A-1 |
| 21                       | T2 SCREW           | 4X16 SUS                        | FT20416M0   | 4            | 4   | 4       | 4   |
| 22                       | HOLE PLUG          |                                 | 373078R01   | 1            | 1   | 1       | 1   |
| 23                       | WIRE HARNESS       |                                 | 373139Z02   | 1            | 1   | 1       | 1   |
| 24                       | GASKET             | L=50                            | 119826Z03   | 12           | 12  | 12      | 12  |
| 25                       | GASKET             | L=215                           | 119826Z04   | 1            | 1   | 1       | 1   |
| 26                       | PLATE - SIDE PANEL |                                 | 379577M01   |              |     |         | 1   |



HA

| MODEL: <b>KMD-410MWH</b> |                               | TITLE: <b>B. REFRIGERATION CIRCUIT</b>   |             |              |     |         |     |
|--------------------------|-------------------------------|--|-------------|--------------|-----|---------|-----|
| INDEX NO.                | DESCRIPTION                   | MATERIAL OR MODEL NUMBER                 | PART NUMBER | REQ'D NUMBER |     |         |     |
|                          |                               |  |             | U-1,V-0      | V-1 | V-2,A-0 | A-1 |
| 1                        | CONDENSER - WATER COOLED      |  | P01212-01   | 1            | 1   | 1       | 1   |
| 2                        | HEX HEAD BOLT W/WASHER [SW]   | 5X10 SUS                                 | FBK0510S0   | 6            | 6   | 6       | 6   |
| 3                        | BASE - CONDENSER WATER COOLED |  | 372520M01   | 1            | 1   | 1       | 1   |
| 4                        | REAR PANEL                    |  | 256723M02   | 1            | 1   | 1       | 1   |
| 5                        | T2 SCREW                      | 4X8                                      | FT20408F0   | 9            | 9   | 9       | 9   |
| 6                        | COMPRESSOR                    | NT6217GKV                                | P01550-01   | 1            | 1   | 1       | 1   |
| 7                        | TERMINAL COVER                |  | P02814-01   | 1            | 1   | 1       | 1   |
| 8                        | PROTECTOR                     | T0873/G9                                 | P01552-01   | 1            | 1   | 1       | 1   |
| 9                        | PROTECTOR RETAINER            |  | P02815-01   | 1            | 1   | 1       | 1   |
| 10                       | SCREW                         |  | P00840-01   | 1            | 1   | 1       | 1   |
| 11                       | GROMMET                       |  | P00846-01   | 4            | 4   | 4       | 4   |
| 12                       | SPACER                        |  | P00847-01   | 4            | 4   | 4       | 4   |
| 13                       | BOLT                          | M8X35                                    | 436206-03   | 4            | 4   | 4       | 4   |
| 14                       | COMP. MOUNT                   |  | 371868G01   | 2            | 2   | 2       | 2   |
| 15                       | RIVET                         | SSD43SSBS                                | 7170-0005   | 8            | 8   | 8       | 8   |
| 16                       | COPPER TUBE (A1) - HIGH SIDE  | COPPER TUBE (A) - HIGH SIDE<br>256728G01 | 256728M01   | 1            | 1   | 1       | 1   |
| 17                       | COPPER TUBE (A2) - HIGH SIDE  | COPPER TUBE (A) - HIGH SIDE<br>256728G01 | 256728M02   | 1            | 1   | 1       | 1   |
| 18                       | COPPER TUBE (A3) - HIGH SIDE  | COPPER TUBE (A) - HIGH SIDE<br>256728G01 | 256728M03   | 1            | 1   | 1       | 1   |
| 19                       | COPPER TUBE (A4) - HIGH SIDE  | COPPER TUBE (A) - HIGH SIDE<br>256728G01 | 256728M04   | 1            | 1   | 1       | 1   |
| 20                       | TEE                           | COPPER TUBE (A) - HIGH SIDE<br>256728G01 | 420041-02   | 2            | 2   | 2       | 2   |
| 21                       | TEE                           | COPPER TUBE (A) - HIGH SIDE<br>256728G01 | 420041-16   | 1            | 1   | 1       | 1   |



HA

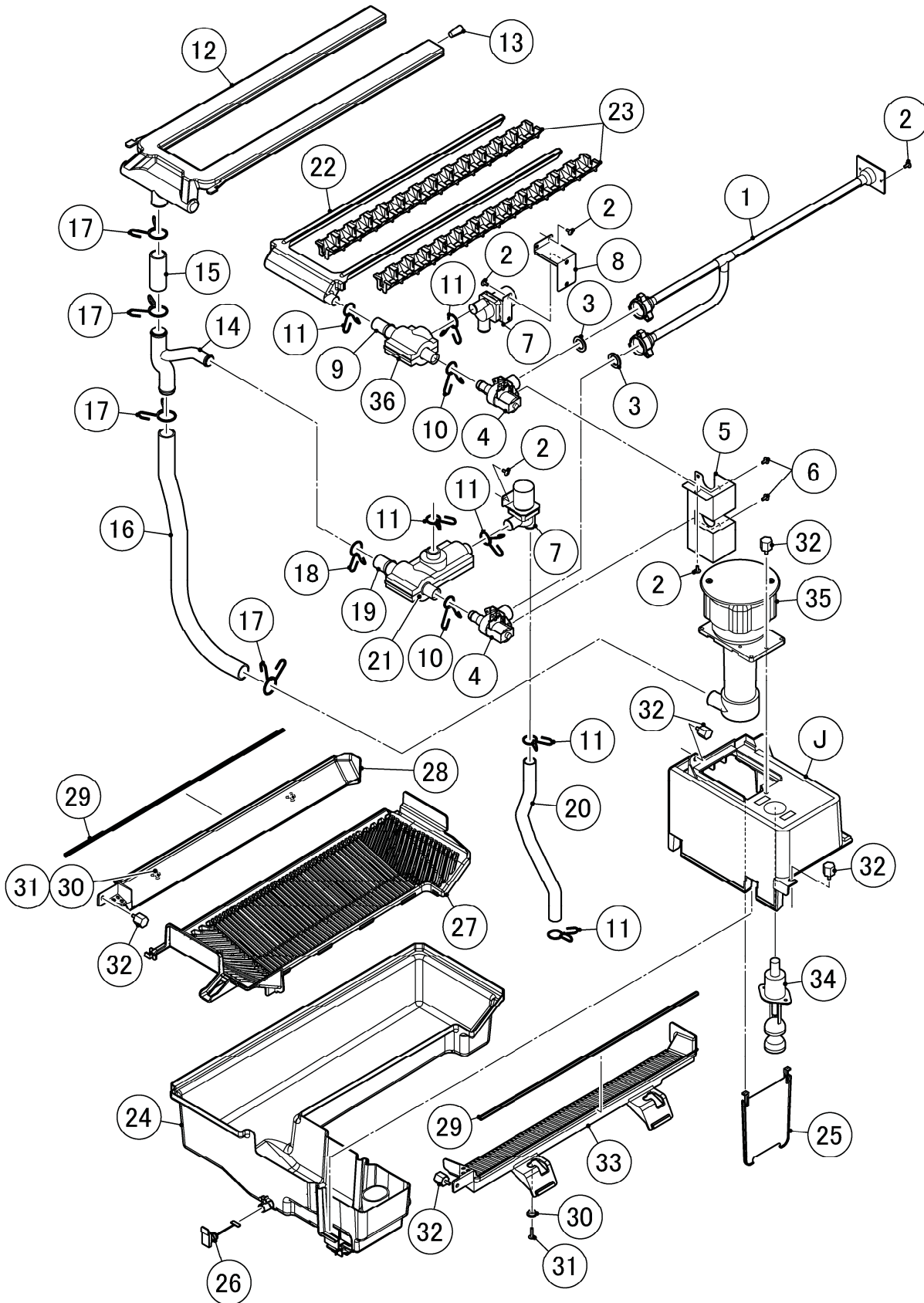
| MODEL: <b>KMD-410MWH</b> |                              |  |             | TITLE: <b>B. REFRIGERATION CIRCUIT</b> |     |         |     |
|--------------------------|------------------------------|--|-------------|--|-----|---------|-----|
| INDEX NO.                | DESCRIPTION                  | MATERIAL OR MODEL NUMBER                 | PART NUMBER | REQ'D NUMBER                           |     |         |     |
|                          |                              |  |             | U-1,V-0                                | V-1 | V-2,A-0 | A-1 |
| 22                       | PRESSURE SWITCH              | ACB-1UB43                                | 463180-05   | 1                                      | 1   | 1       | 1   |
| 23                       | COPPER TUBE (B1) - HIGH SIDE | COPPER TUBE (B) - HIGH SIDE<br>372527G01 | 372527M01   | 1                                      | 1   | 1       | 1   |
| 24                       | TEE                          | COPPER TUBE (B) - HIGH SIDE<br>372527G01 | 4A1545-02   | 1                                      | 1   | 1       | 1   |
| 25                       | COPPER TUBE (B) - CAPILLARY  |  | 446047-02   | 1                                      | 1   | 1       | 1   |
| 26                       | DRIER                        | DML032.5s                                | 462965-01   | 1                                      | 1   | 1       | -   |
|                          |                              | DML032S                                  | P02070-01   |  |     |         | 1   |
| 27                       | PUSH MOUNT TIE               | T50RSF                                   | 436156-02   | 1                                      | 1   | 1       | 1   |
| 28                       | COPPER TUBE (D1) - HIGH SIDE | COPPER TUBE (D) - HIGH SIDE<br>371885G01 | 371885M01   | 1                                      | 1   | 1       | 1   |
| 29                       | COPPER TUBE (D2) - HIGH SIDE | COPPER TUBE (D) - HIGH SIDE<br>371885G01 | 371885M02   | 1                                      | 1   | 1       | 1   |
| 30                       | STRAINER                     | COPPER TUBE (D) - HIGH SIDE<br>371885G01 | P00812-01   | 1                                      | 1   | 1       | 1   |
| 31                       | TEE                          | COPPER TUBE (D) - HIGH SIDE<br>371885G01 | 417394-01   | 1                                      | 1   | 1       | 1   |
| 32                       | VALVE BODY                   | ATS-B7SHDU-2                             | 4A3978-01   | 1                                      | 1   | 1       | 1   |
| 33                       | COIL-VALVE                   | AMS-C12HDU-3                             | 4A3277-01   | 1                                      | 1   | 1       | 1   |
| 34                       | BOLT                         | M4X8                                     | 4A3277F01   | 1                                      | 1   | 1       | 1   |
| 35                       | TRUSS HEAD SCREW             | 4X8 SUS                                  | FST0408S0   | 4                                      | 4   | 4       | 4   |
| 36                       | ACCESS VALVE                 | TCJ-2F20NHDU-1                           | 457729-01   | 2                                      | 2   | 2       | 2   |
| 37                       | COPPER TUBE (E1) - HOT GAS   | COPPER TUBE (E) - HOT GAS<br>371883G02   | 372521M01   | 1                                      | 1   | 1       | 1   |
| 38                       | TIE                          | CV-100                                   | 7920-0002   | 4                                      | 4   | 4       | 4   |

HA

| MODEL: <b>KMD-410MWH</b> |                                 | TITLE: <b>B. REFRIGERATION CIRCUIT</b>       |             |              |     |         |     |
|--------------------------|---------------------------------|--|-------------|--------------|-----|---------|-----|
| INDEX NO.                | DESCRIPTION                     | MATERIAL OR MODEL NUMBER                     | PART NUMBER | REQ'D NUMBER |     |         |     |
|                          |                                 |  |             | U-1,V-0      | V-1 | V-2,A-0 | A-1 |
| 39                       | COPPER TUBE (E2) - HOT GAS      | COPPER TUBE (E) - HOT GAS<br>371883G02       | 371880M01   | 1            | 1   | 1       | 1   |
| 40                       | TEE                             | COPPER TUBE (E) - HOT GAS<br>371883G02       | 420335-01   | 1            | 1   | 1       | 1   |
| 41                       | INSULATION TUBE                 | COPPER TUBE (E) - HOT GAS<br>371883G02 L=290 | H71030290   | 1            | 1   | 1       | 1   |
| 42                       | INSULATION TUBE                 | COPPER TUBE (E) - HOT GAS<br>371883G02 L=360 | H71020360   | 1            | 1   | 1       | 1   |
| 43                       | EXP. VALVE                      | HFE-10NHD-2                                  | 4A1414-01   | 1            | 1   | 1       | 1   |
| 44                       | EXPANSION VALVE COVER           |  | 3A0944-01   | 1            | 1   | 1       | 1   |
| 45                       | HEAT EXCHANGER                  |  | 255974G02   | 1            | 1   | 1       | 1   |
| 46                       | THERMISTOR                      | NBFC-36-H60-1                                | P00027-01   | 1            | 1   | 1       | 1   |
| 47                       | HOLDER - THERMISTOR             |  | 427430-01   | 1            | 1   | 1       | 1   |
| 48                       | HOLDER / EXP. VALVE - 3/8       |  | 3A0107-01   | 1            | 1   | 1       | 1   |
| 49                       | CLAMP                           |  | 443461-02   | 1            | 1   | 1       | 1   |
| 50                       | COPPER TUBE (F1) - ACCESS VALVE | COPPER TUBE (F) - ACCESS VALVE<br>371877G01  | 371877M01   | 1            | 1   | 1       | 1   |
| 51                       | TEE                             | COPPER TUBE (F) - ACCESS VALVE<br>371877G01  | 417394-01   | 1            | 1   | 1       | 1   |
| 52                       | COPPER TUBE (F2) - ACCESS VALVE | COPPER TUBE (F) - ACCESS VALVE<br>371877G01  | 371877M03   | 1            | 1   | 1       | 1   |
| 53                       | COPPER TUBE (F3) - ACCESS VALVE | COPPER TUBE (F) - ACCESS VALVE<br>371877G01  | 371877M04   | 1            | 1   | 1       | 1   |
| 54                       | EVAPORATOR ASSY                 |  | 257091G01   | 1            | 1   | 1       | 1   |
| 55                       | T2 SCREW                        | 4X8 SUS                                      | FT20408M0   | 6            | 6   | 6       | 6   |

HA

| MODEL: <b>KMD-410MWH</b> |                                  | TITLE: <b>B. REFRIGERATION CIRCUIT</b>             |             |              |     |         |     |
|--------------------------|----------------------------------|--|-------------|--------------|-----|---------|-----|
| INDEX NO.                | DESCRIPTION                      | MATERIAL OR MODEL NUMBER                           | PART NUMBER | REQ'D NUMBER |     |         |     |
|                          |                                  |  |             | U-1,V-0      | V-1 | V-2,A-0 | A-1 |
| 56                       | RUBBER INSULATION (B)            |  | 3A1045-01   | 1            | 1   | 1       | 1   |
| 57                       | RUBBER INSULATION (A)            |  | 3A1044-01   | 1            | 1   | 1       | 1   |
| 58                       | INSULATION HOLDER                |  | 473043M01   | 1            | 1   | 1       | 1   |
| 59                       | INSULATION - THERMISTOR (A)      |  | 439368-01   | 1            | 1   | 1       | 1   |
| 60                       | INSULATION - THERMISTOR (B)      |  | 439368-02   | 1            | 1   | 1       | 1   |
| 61                       | INSULATION TUBE                  | L=90   | 7762-1020   | 1            | 1   | 1       | 1   |
| 62                       | TIE                              | CV-200   | 7920-0010   | 14           | 14  | 14      | 14  |
| 63                       | WATER REGULATOR                  |  | P04029-01   | 1            | 1   | 1       | 1   |
| 64                       | COPPER TUBE (A1) - WATER CIRCUIT | COPPER TUBE (A) - WATER CIRCUIT<br>372524G01       | 372524M01   | 1            | 1   | 1       | 1   |
| 65                       | INLET FITTING                    | COPPER TUBE (A) - WATER CIRCUIT<br>372524G01       | P01214-01   | 1            | 1   | 1       | 1   |
| 66                       | FITTING HOLDER                   | COPPER TUBE (A) - WATER CIRCUIT<br>372524G01       | 4A0764-01   | 1            | 1   | 1       | 1   |
| 67                       | INSULATION TUBE                  | COPPER TUBE (A) - WATER CIRCUIT<br>372524G01 L=430 | 7762-1330   | 1            | 1   | 1       | 1   |
| 68                       | COPPER TUBE (B) - WATER CIRCUIT  |  | 372525M01   | 1            | 1   | 1       | 1   |
| 69                       | COPPER TUBE (C1) - WATER CIRCUIT | COPPER TUBE (C) - WATER CIRCUIT<br>372526G01       | 372526M01   | 1            | 1   | 1       | 1   |
| 70                       | INLET FITTING                    | COPPER TUBE (C) - WATER CIRCUIT<br>372526G01       | P01214-01   | 1            | 1   | 1       | 1   |
| 71                       | FITTING HOLDER                   | COPPER TUBE (C) - WATER CIRCUIT<br>372526G01       | 4A0764-01   | 1            | 1   | 1       | 1   |
| 72                       | INSULATION TUBE                  | L=245  | H71020245   | 1            | 1   | 1       | 1   |

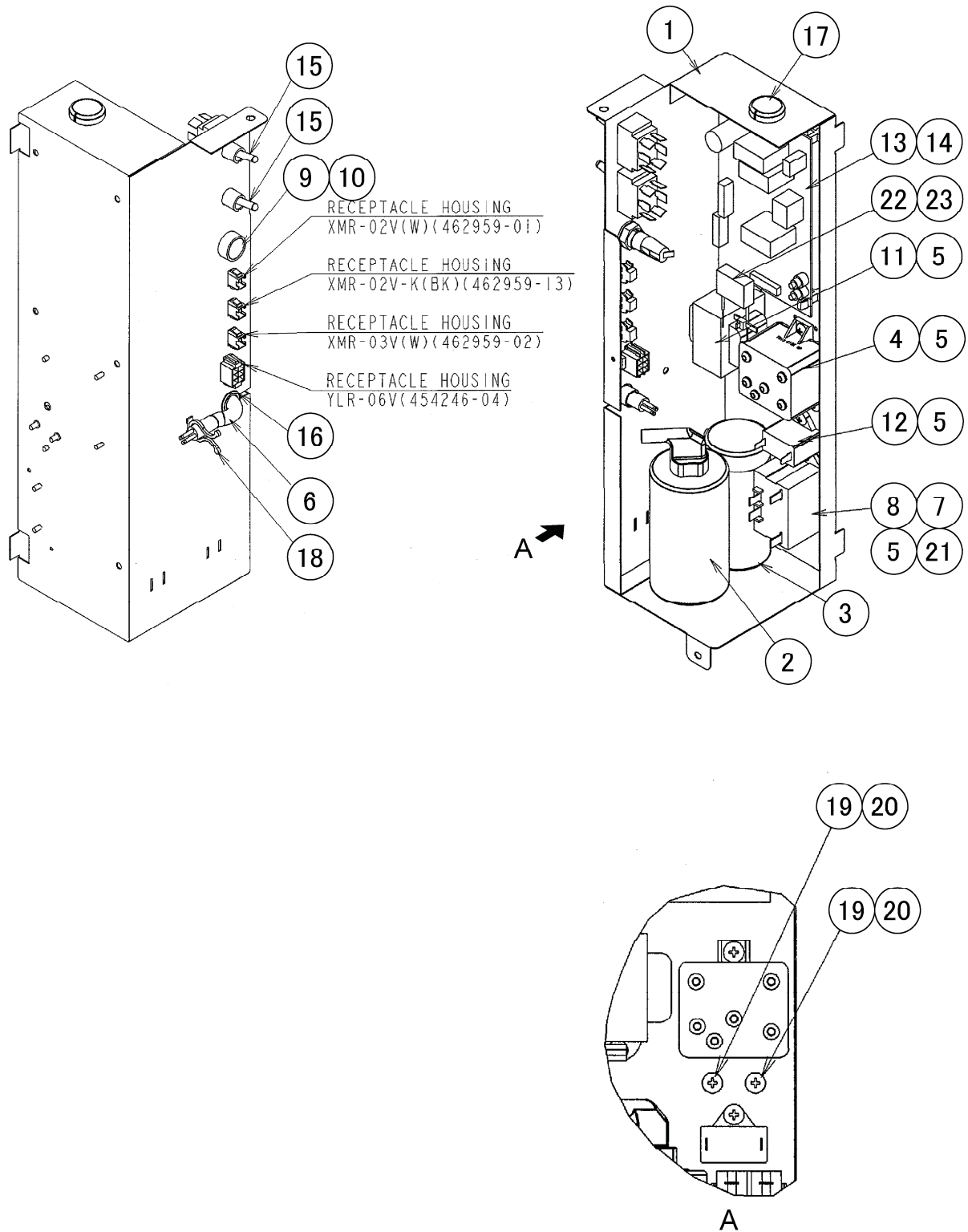


HA

| MODEL: <b>KMD-410MWH</b> |  | TITLE: <b>C. WATER CIRCUIT ASSY</b> |             |              |     |         |     |
|--------------------------|--|-------------------------------------|-------------|--------------|-----|---------|-----|
| INDEX NO.                | DESCRIPTION                            | MATERIAL OR MODEL NUMBER            | PART NUMBER | REQ'D NUMBER |     |         |     |
|                          |  |                                     |             | U-1,V-0      | V-1 | V-2,A-0 | A-1 |
| J                        | PUMP BRACKET ASSY                      |                                     | 371889A01   | 1            | 1   | 1       | 1   |
| 1                        | WATER SUPPLY PIPE                      |                                     | 371882G01   | 1            | 1   | 1       | 1   |
| 2                        | T2 SCREW                               | 4X8                                 | FT20408F0   | 9            | 9   | 9       | 9   |
| 3                        | RUBBER GASKET                          |                                     | 413854-03   | 2            | 2   | 2       | 2   |
| 4                        | WATER VALVE                            | V19 4L/min                          | P01559-01   | 2            | 2   | 2       | 2   |
| 5                        | WATER VALVE BRACKET                    |                                     | 371875G01   | 1            | 1   | 1       | 1   |
| 6                        | TRUSS HEAD SCREW                       | 4X8 SUS                             | FST0408S0   | 4            | 4   | 4       | 4   |
| 7                        | SOLENOID VALVE                         | FDC-90-02-115                       | P00018-02   | 2            | 2   | 2       | 2   |
| 8                        | BRACKET - NSF VALVE                    |                                     | 474226M01   | 1            | 1   | 1       | 1   |
| 9                        | TEE                                    |                                     | 371167R01   | 1            | 1   | 1       | 1   |
| 10                       | HOSE CLAMP<br>※Use either of the right | 16.5mm SUS                          | 427443-04   | 2            | 2   | 2       | 2   |
|                          |  |                                     | P02909-04   | 2            | 2   | 2       | 2   |
| 11                       | HOSE CLAMP<br>※Use either of the right | 18mm SUS                            | 427443-05   | 6            | 6   | 6       | 6   |
|                          |  |                                     | P02909-05   | 6            | 6   | 6       | 6   |
| 12                       | SPRAY TUBE                             |                                     | 256969P01   | 1            | 1   | 1       | 1   |
| 13                       | PLUG                                   |                                     | 4A0176-01   | 2            | 2   | 2       | 2   |
| 14                       | CONNECTING PIPE                        |                                     | 371162P02   | 1            | 1   | 1       | 1   |
| 15                       | SILICONE HOSE                          | Φ20XΦ<br>25(CLEAR)L=60              | H12025060   | 1            | 1   | 1       | 1   |
| 16                       | SILICONE HOSE                          | Φ20XΦ<br>25(CLEAR)L=465             | H12025465   | 1            | 1   | 1       | 1   |
| 17                       | HOSE CLAMP<br>※Use either of the right | 25mm SUS                            | 427443-03   | 4            | 4   | 4       | 4   |
|                          |  |                                     | P02909-03   | 4            | 4   | 4       | 4   |
| 18                       | HOSE CLAMP<br>※Use either of the right | 20mm SUS                            | 427443-06   | 1            | 1   | 1       | 1   |
|                          |  |                                     | P02909-06   | 1            | 1   | 1       | 1   |
| 19                       | BYPASS HOSE                            |                                     | 371165R01   | 1            | 1   | 1       | 1   |
| 20                       | SILICONE HOSE                          | Φ15XΦ<br>19(CLEAR)L=340             | H11519340   | 1            | 1   | 1       | 1   |
| 21                       | BYPASS INSULATION                      |                                     | 371169Z01   | 1            | 1   | 1       | 1   |
| 22                       | WATER SUPPLY TUBE                      |                                     | 256968P01   | 1            | 1   | 1       | 1   |

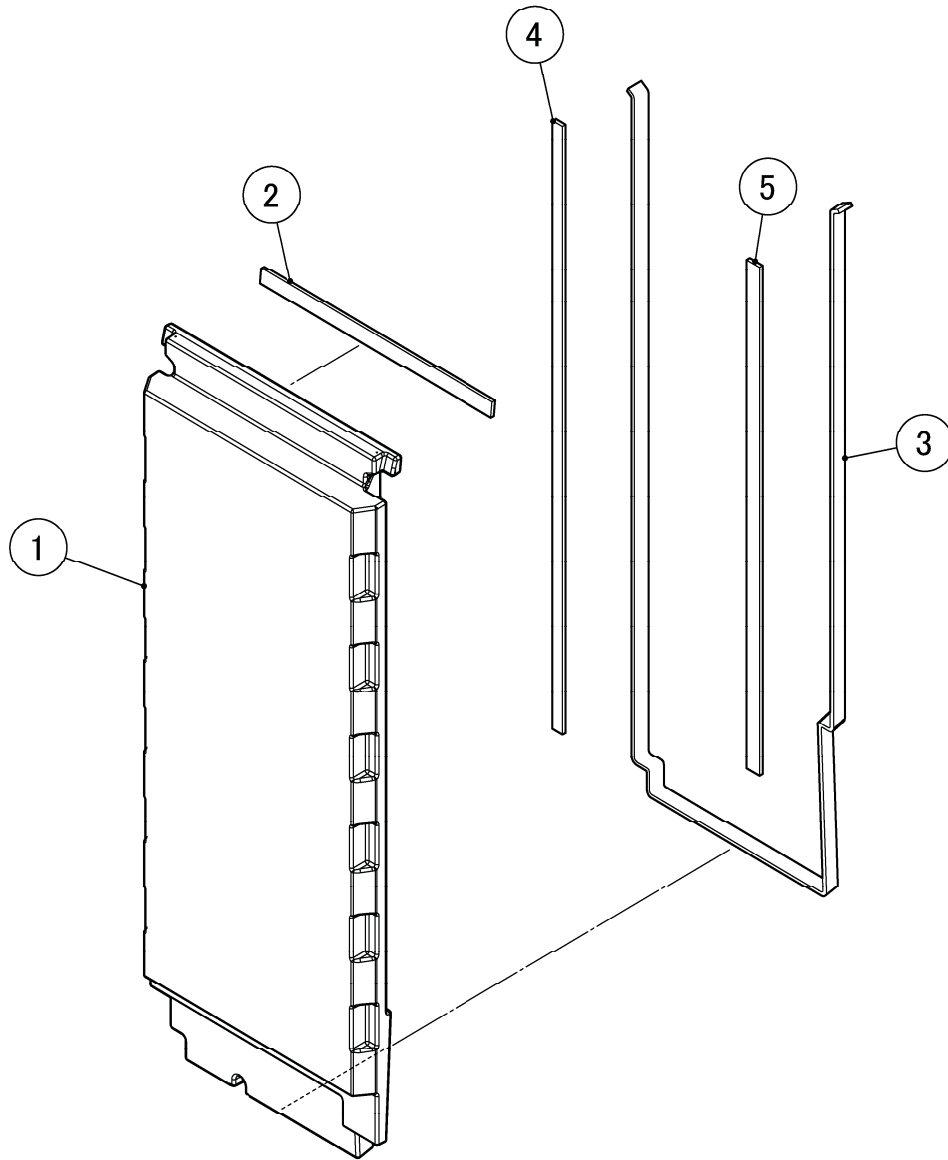
HA

| MODEL: <b>KMD-410MWH</b> |                  | TITLE: <b>C. WATER CIRCUIT ASSY</b> |             |              |     |         |     |
|--------------------------|------------------|-------------------------------------|-------------|--------------|-----|---------|-----|
| INDEX NO.                | DESCRIPTION      | MATERIAL OR MODEL NUMBER            | PART NUMBER | REQ'D NUMBER |     |         |     |
|                          |                  |                                     |             | U-1,V-0      | V-1 | V-2,A-0 | A-1 |
| 23                       | SPRAY GUIDE      |                                     | 252052P03   | 2            | 2   | 2       | 2   |
| 24                       | TANK             |                                     | 255326G02   | 1            | 1   | 1       | 1   |
| 25                       | PARTITION PLATE  |                                     | 371160P01   | 1            | 1   | 1       | 1   |
| 26                       | DRAIN CAP        |                                     | 371168G01   | 1            | 1   | 1       | 1   |
| 27                       | CUBE GUIDE       |                                     | 118904P01   | 1            | 1   | 1       | 1   |
| 28                       | DEFLECTOR (L)    |                                     | 255250P01   | 1            | 1   | 1       | 1   |
| 29                       | GASKET           |                                     | 371166R01   | 2            | 2   | 2       | 2   |
| 30                       | COLLAR           |                                     | 435269-01   | 4            | 4   | 4       | 4   |
| 31                       | T2 SCREW         | 4X16 SUS                            | FT20416M0   | 4            | 4   | 4       | 4   |
| 32                       | THUMBSCREW       |                                     | 415949G12   | 5            | 5   | 5       | 5   |
| 33                       | DEFLECTOR (R)    |                                     | 255249P01   | 1            | 1   | 1       | 1   |
| 34                       | FLOAT SWITCH     | OLV-29Z-2P2                         | P00816-01   | 1            | 1   | 1       | 1   |
| 35                       | PUMP MOTOR       | PV-211BHZ1                          | 4A4259-01   | 1            | 1   | 1       | 1   |
| 36                       | INLET INSULATION |                                     | 373079Z01   | 1            | 1   | 1       | 1   |



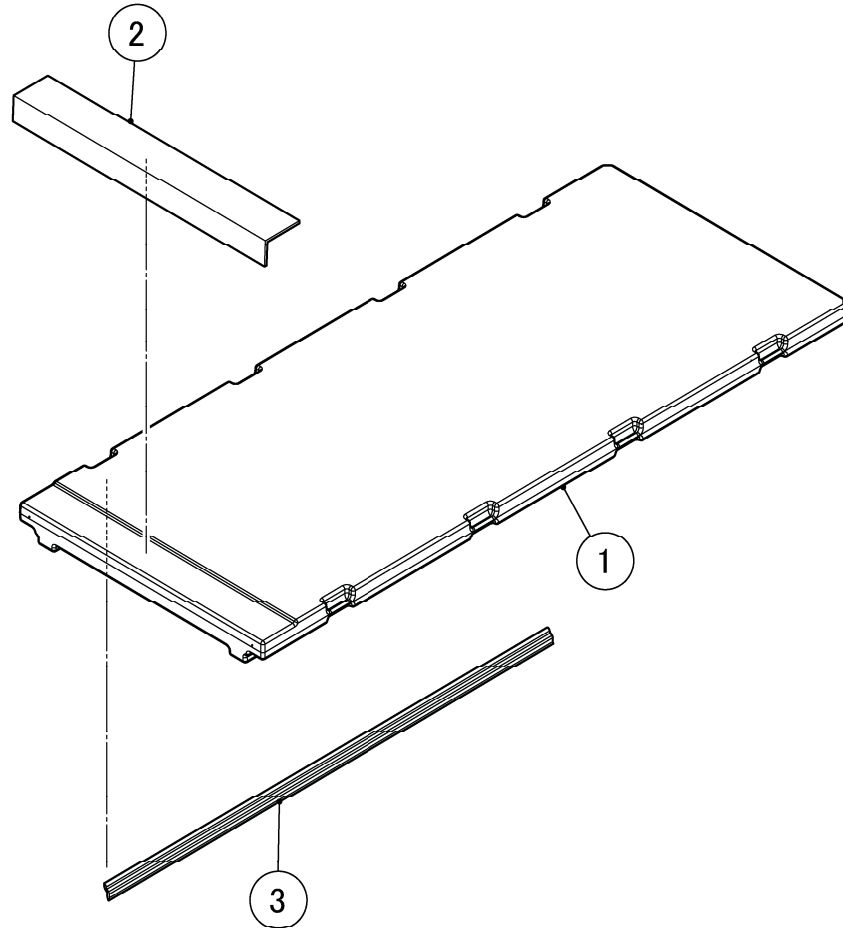




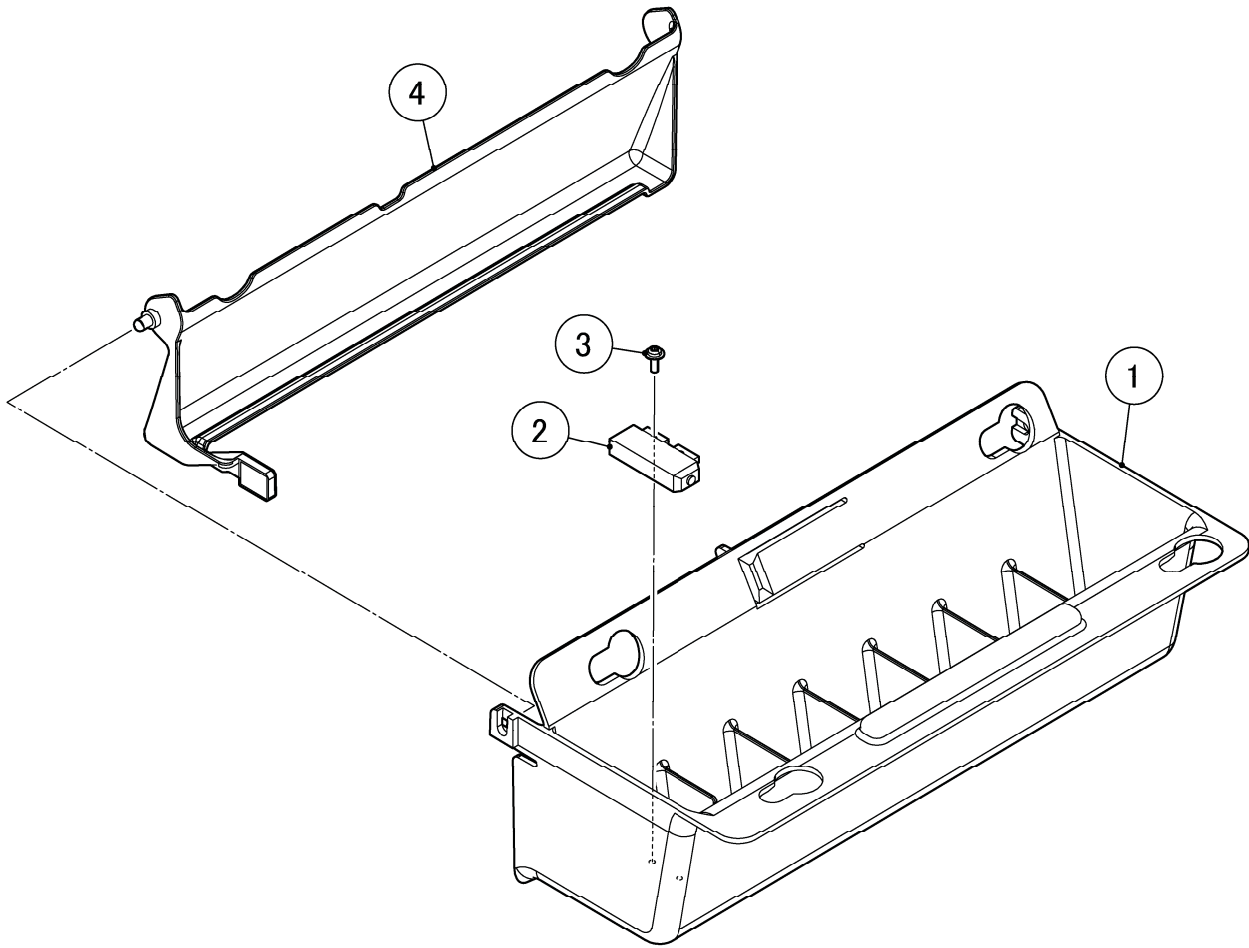


HA

| MODEL: KMD-410MWH |                  | TITLE: E. FRONT INSULATION ASSY |             |              |     |         |     |
|-------------------|------------------|---------------------------------|-------------|--------------|-----|---------|-----|
| INDEX NO.         | DESCRIPTION      | MATERIAL OR MODEL NUMBER        | PART NUMBER | REQ'D NUMBER |     |         |     |
|                   |                  |                                 |             | U-1,V-0      | V-1 | V-2,A-0 | A-1 |
| 1                 | FRONT INSULATION |                                 | 255253G01   | 1            | 1   | 1       | 1   |
| 2                 | GASKET           | L=228                           | 371887Z02   | 1            | 1   | 1       | 1   |
| 3                 | GASKET           | L=1385                          | 371887Z03   | 1            | 1   | 1       | 1   |
| 4                 | GASKET           | L=520                           | 371887Z04   | 1            | 1   | 1       | 1   |
| 5                 | GASKET           | L=435                           | 371887Z05   | 1            | 1   | 1       | 1   |
|                   |                  |                                 |             |              |     |         |     |
|                   |                  |                                 |             |              |     |         |     |
|                   |                  |                                 |             |              |     |         |     |
|                   |                  |                                 |             |              |     |         |     |
|                   |                  |                                 |             |              |     |         |     |
|                   |                  |                                 |             |              |     |         |     |
|                   |                  |                                 |             |              |     |         |     |
|                   |                  |                                 |             |              |     |         |     |
|                   |                  |                                 |             |              |     |         |     |
|                   |                  |                                 |             |              |     |         |     |
|                   |                  |                                 |             |              |     |         |     |
|                   |                  |                                 |             |              |     |         |     |
|                   |                  |                                 |             |              |     |         |     |
|                   |                  |                                 |             |              |     |         |     |
|                   |                  |                                 |             |              |     |         |     |
|                   |                  |                                 |             |              |     |         |     |
|                   |                  |                                 |             |              |     |         |     |
|                   |                  |                                 |             |              |     |         |     |
|                   |                  |                                 |             |              |     |         |     |
|                   |                  |                                 |             |              |     |         |     |
|                   |                  |                                 |             |              |     |         |     |
|                   |                  |                                 |             |              |     |         |     |
|                   |                  |                                 |             |              |     |         |     |
|                   |                  |                                 |             |              |     |         |     |
|                   |                  |                                 |             |              |     |         |     |

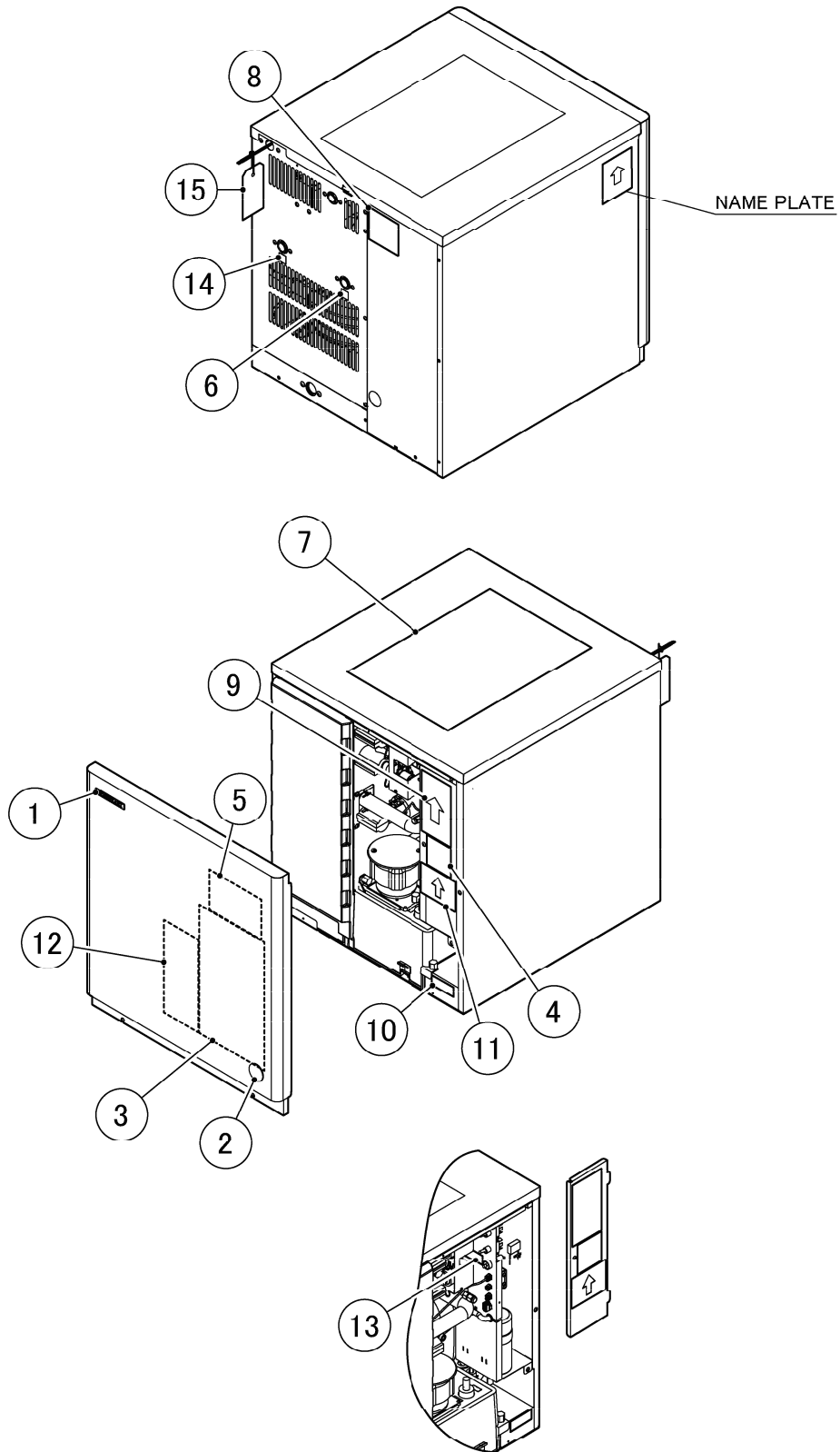






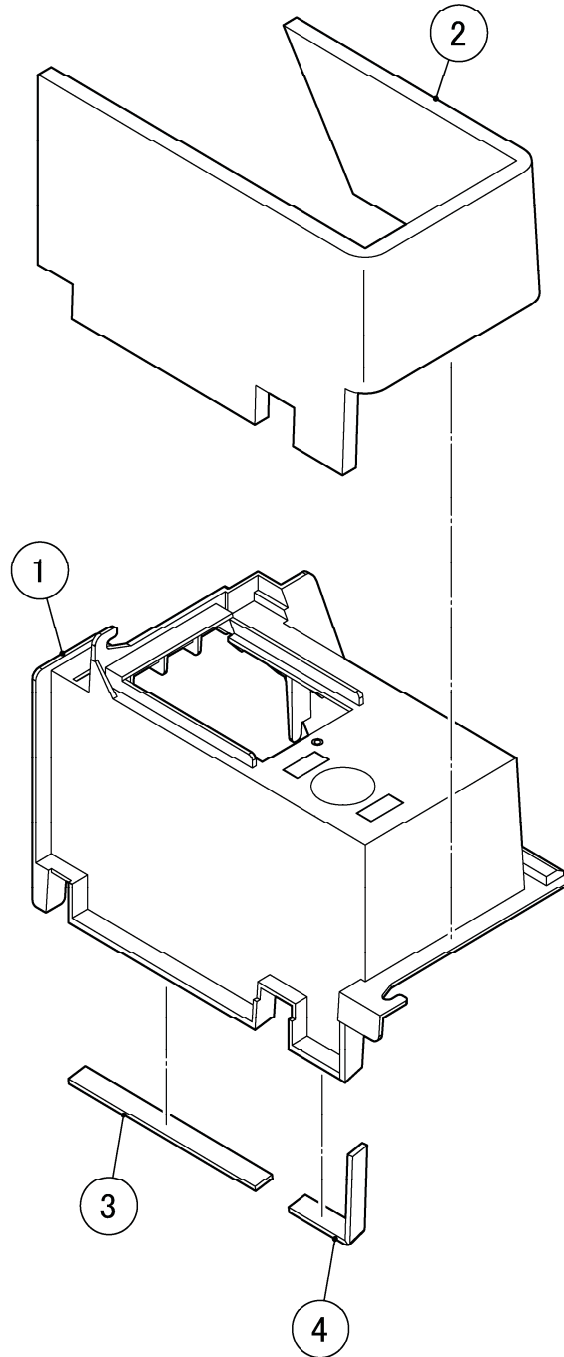
HA

| MODEL: <b>KMD-410MWH</b> |                | TITLE: <b>G. BIN SWITCH</b> |                |              |     |         |     |
|--------------------------|----------------|-----------------------------|----------------|--------------|-----|---------|-----|
| INDEX<br>NO.             | DESCRIPTION    | MATERIAL OR<br>MODEL NUMBER | PART<br>NUMBER | REQ'D NUMBER |     |         |     |
|                          |                |                             |                | U-1,V-0      | V-1 | V-2,A-0 | A-1 |
| 1                        | SWITCH HOUSING |                             | 255248P01      | 1            | 1   | 1       | 1   |
| 2                        | REED SWITCH    | PS-0074-601                 | 453861-04      | 1            | 1   | 1       | 1   |
| 3                        | TAPPING SCREW  | 3X8                         | 431415-01      | 2            | 2   | 2       | 2   |
| 4                        | DETECTOR       |                             | 371158G01      | 1            | 1   | 1       | 1   |
|                          |                |                             |                |              |     |         |     |
|                          |                |                             |                |              |     |         |     |
|                          |                |                             |                |              |     |         |     |
|                          |                |                             |                |              |     |         |     |
|                          |                |                             |                |              |     |         |     |
|                          |                |                             |                |              |     |         |     |
|                          |                |                             |                |              |     |         |     |
|                          |                |                             |                |              |     |         |     |
|                          |                |                             |                |              |     |         |     |
|                          |                |                             |                |              |     |         |     |
|                          |                |                             |                |              |     |         |     |
|                          |                |                             |                |              |     |         |     |
|                          |                |                             |                |              |     |         |     |
|                          |                |                             |                |              |     |         |     |
|                          |                |                             |                |              |     |         |     |
|                          |                |                             |                |              |     |         |     |
|                          |                |                             |                |              |     |         |     |
|                          |                |                             |                |              |     |         |     |
|                          |                |                             |                |              |     |         |     |
|                          |                |                             |                |              |     |         |     |
|                          |                |                             |                |              |     |         |     |
|                          |                |                             |                |              |     |         |     |
|                          |                |                             |                |              |     |         |     |
|                          |                |                             |                |              |     |         |     |
|                          |                |                             |                |              |     |         |     |
|                          |                |                             |                |              |     |         |     |
|                          |                |                             |                |              |     |         |     |
|                          |                |                             |                |              |     |         |     |
|                          |                |                             |                |              |     |         |     |
|                          |                |                             |                |              |     |         |     |
|                          |                |                             |                |              |     |         |     |









HA

| MODEL: <b>KMD-410MWH</b> |                       | TITLE: <b>J. PUMP BRACKET ASSY</b> |             |              |     |         |     |
|--------------------------|-----------------------|------------------------------------|-------------|--------------|-----|---------|-----|
| INDEX NO.                | DESCRIPTION           | MATERIAL OR MODEL NUMBER           | PART NUMBER | REQ'D NUMBER |     |         |     |
|                          |                       |                                    |             | U-1,V-0      | V-1 | V-2,A-0 | A-1 |
| 1                        | PUMP BRACKET          |                                    | 118907G01   | 1            | 1   | 1       | 1   |
| 2                        | PM BRACKET INSULATION |                                    | 371170Z01   | 1            | 1   | 1       | 1   |
| 3                        | GASKET                | L=138                              | 4A0808L02   | 1            | 1   | 1       | 1   |
| 4                        | GASKET                | L=100                              | 4A0808L02   | 1            | 1   | 1       | 1   |
|                          |                       |                                    |             |              |     |         |     |
|                          |                       |                                    |             |              |     |         |     |
|                          |                       |                                    |             |              |     |         |     |
|                          |                       |                                    |             |              |     |         |     |
|                          |                       |                                    |             |              |     |         |     |
|                          |                       |                                    |             |              |     |         |     |
|                          |                       |                                    |             |              |     |         |     |
|                          |                       |                                    |             |              |     |         |     |
|                          |                       |                                    |             |              |     |         |     |
|                          |                       |                                    |             |              |     |         |     |
|                          |                       |                                    |             |              |     |         |     |
|                          |                       |                                    |             |              |     |         |     |
|                          |                       |                                    |             |              |     |         |     |
|                          |                       |                                    |             |              |     |         |     |
|                          |                       |                                    |             |              |     |         |     |
|                          |                       |                                    |             |              |     |         |     |
|                          |                       |                                    |             |              |     |         |     |
|                          |                       |                                    |             |              |     |         |     |
|                          |                       |                                    |             |              |     |         |     |
|                          |                       |                                    |             |              |     |         |     |

