



Ice Machine Cleaning & Sanitizing

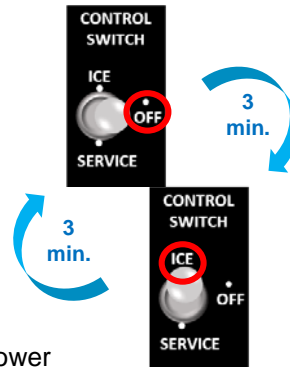
HOSHIZAKI

KMD-410MAH, MWH, MRH
KMD-460MAH, MWH, MRH
KMD-530MAH, MWH, MRH

The icemaker must be cleaned & sanitized at least once a year.

Cleaning Prep:

- 1 Remove the **Front Panel**, move the **control switch** to **OFF**. After **3 min.**, move the **control switch** to **ICE**, then replace the **Front Panel**.
 - 2 After **3 min.**, remove the **Front Panel**, move the **control switch** to **OFF**. This removes the cubes from the evaporator. Replace the **Front Panel**.
 - 3 Remove all ice from the dispenser unit/ice storage bin.
- ATTENTION!** IF ON DISPENSER, turn off the dispenser power supply after dispensing all the ice.



ATTENTION!

Do not leave icemaker unattended when panels are off

AMMONIA
Cleaners



Sanitizing:

- Dilute 5.25% chlorine bleach* with warm water (see Table below) 15

KMD-410, 460, 530	
Bleach	0.9 fl. oz (27 ml)
Warm Water	1.8 gal. (6.8 l)

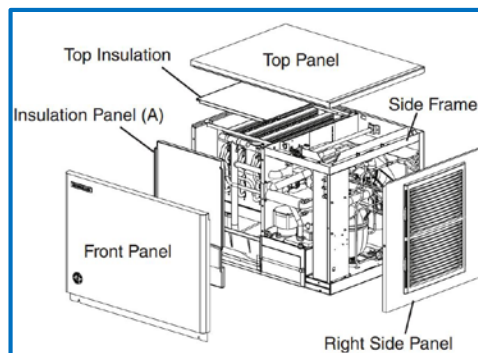
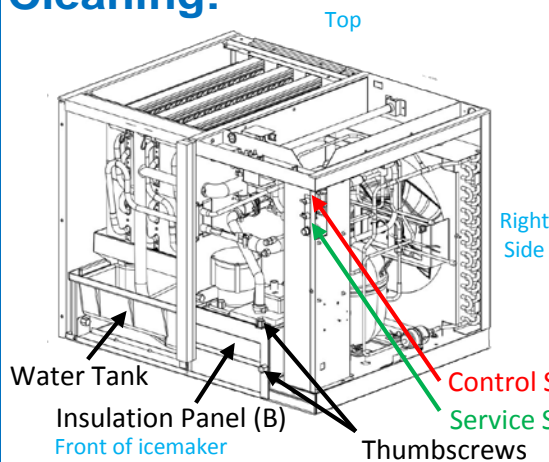
* Use bleach without additives.

- Remove the front panel & insulation panel (A) 16
- Pour the sanitizing solution into the water tank
- Replace all the panels, except the front panel
- Move **service switch** to WASH and **control switch** to SERVICE, replace the front panel 17

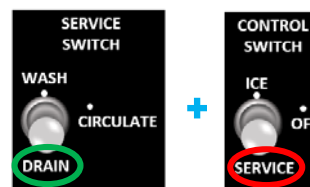
- After 15 minutes, remove front panel 18
- Move **service switch** to DRAIN, replace the front panel

- After 2 minutes, remove front panel 19
- Move **control switch** to OFF

Cleaning:



- 4 Remove the **Front Panel**, move the **service switch** to **DRAIN**. Move **control switch** to **SERVICE**. Replace the **Front Panel**.
- 5 After **2 minutes**, remove the **Front Panel**, move the **control switch** to **OFF**.
- 6 Dilute Hoshizaki **Scale Away** with warm water (see Table below). Remove the **Insulation Panel (A)** and pour cleaning solution into the water tank.



After 2 min.



KMD-410, 460, 530	
Scale Away	9.5 fl. oz (281 ml)
Warm Water	1.8 gal. (6.8 l)

- 7 In bad water conditions, a more thorough cleaning may be required. Move **control switch** to **OFF**, then turn off the power supply. Dilute **5 oz. of Scale Away to 1 gallon of warm water**. Remove and clean the float switch assembly (see **Float Switch Cleaning** on back), water supply tubes, spray tubes, water tank, and pump motor and float switch assembly. Rinse thoroughly, then replace in their correct positions. Turn the power supply back on. Otherwise, continue to Step **8**.

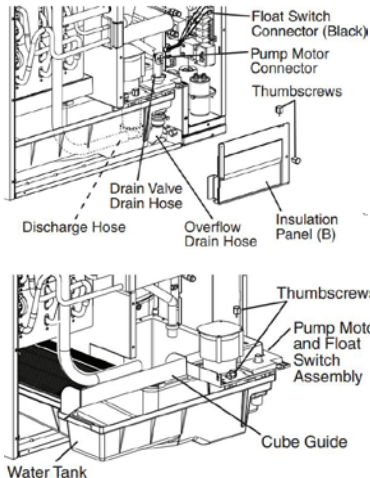


↪ continued on the back...

FLOAT SWITCH CLEANING

KMD-460 & 530M_H:

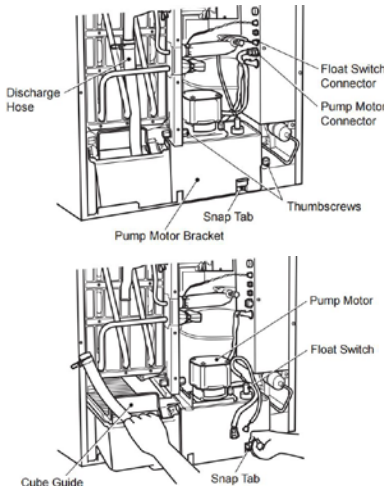
Loosen the two thumbscrews on the pump insulation panel (B) and remove the panel.
 Disconnect the discharge hose, the drain valve hose, and the overflow drain hose.
 Disconnect the pump motor and then the float switch connectors from the control board.
 Remove the two thumbscrews securing the pump motor and float switch assembly.
 Pull out the water tank, cube guide, and pump motor and float switch assembly all together.
 Remove the screw securing the float switch to the top of the assembly, remove the float switch*.
 See Step 7 for cleaning steps. Reassemble in the reverse order they were removed.



* Remove retainer rod (take care not to bend excessively) from bottom of the float switch housing & clean all float parts.

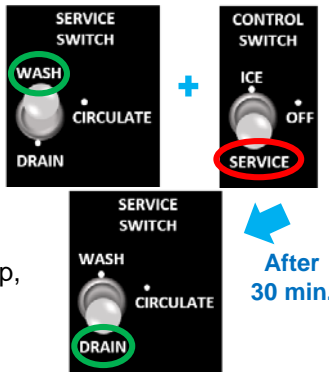
KMD-410M_H:

Loosen the two thumbscrews securing the pump motor bracket.
 Disconnect the discharge hose.
 Disconnect the pump motor and float switch connectors from the side of the control box.
 While pushing up on the snap tab, pull out the water tank, cube guide, pump motor bracket, and pump motor and float switch assembly all together.
 Remove the pump motor bracket securing the float switch to the top of the assembly, remove the float switch*.
 See Step 7 for cleaning steps. Reassemble in the reverse order they were removed.



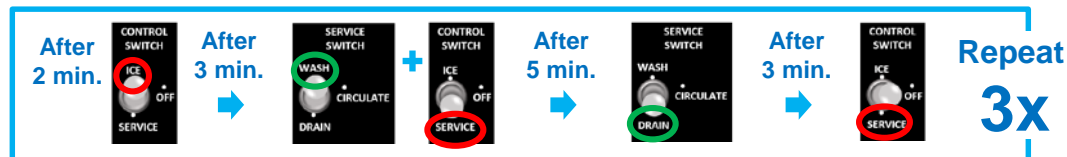
- 8 Replace all the **Panels**, except the **Front Panel**. Move the **service switch** to **WASH**, and the **control switch** to **SERVICE**. Replace the **Front Panel**.
- 9 After 30 minutes, remove the **Front Panel**, move the **service switch** to **DRAIN**. Replace the **Front Panel**.

ATTENTION! To prevent damage to the water pump, do not leave the control switch on SERVICE for extended periods when water tank is empty.



Cleaning Rinse:

- 10 After 2 minutes, remove the **Front Panel**, move the **control switch** to **ICE**. Replace the **Front Panel**.
- 11 After 3 minutes, move the **service switch** to **WASH**, and the **control switch** to **SERVICE**. Replace the **Front Panel**.
- 12 After 5 minutes, remove the **Front Panel**, move the **service switch** to **DRAIN**. Replace the **Front Panel**.
- 13 After 2 minutes, remove the **Front Panel**, move the **control switch** to **OFF**.
- 14 Repeat 3x (Steps 10 thru 13) to rinse thoroughly. Continue to **Sanitation – Step 15 on front...**



↓ sanitizing continued...

- RINSE 1:** (Steps 20-22) 20
- Move **control switch** to **ICE**, replace front panel
 - After 3 minutes, remove the front panel
 - Move **service switch** to **WASH** and **control switch** to **SERVICE**, replace the front panel
- After 5 minutes, remove the front panel 21
- Move **service switch** to **DRAIN**, replace the front panel
- After 2 minutes, remove the front panel 22
- Move **control switch** to **OFF**, replace the front panel
- RINSE 2:** 23
- Repeat RINSE 1 (Steps 20–22) for complete ice/food safety
- Clean the dispenser unit / ice storage bin liner with a neutral cleaner (dish soap) 24
- Rinse thoroughly
- Move **control switch** to **ICE**, replace front panel 25

ATTENTION!

IF ICEMAKER IS ON DISPENSER, remember to turn on the dispenser after cleaning

DO NOT use ammonia type cleaners
WEAR liquid-proof gloves and goggles to protect skin & eyes from cleaning & sanitizing chemicals



CLEANING SCHEDULE

- **Scoop** Dish soap, rinse well
 - **Water Filters** Check psi, change if req'd
 - **Exterior** Dish soap & damp cloth
 - **Bin Door/Top Kit** Warm water & clean cloth
 - **Icemaker/Bin** Follow these instructions
 - **Water Supply Inlet** Clean inlet screen
 - **Condenser** Inspect. Clean with brush
 - **Water Hoses** Inspect. Replace if req'd
- **DAILY** | • **MONTHLY** | • **YEARLY**