



SERVICE PARTS MANUAL
ICE SERIES CUBERS
MODEL-ICE1506R, R2, R3, R4 & R5
MODEL-ICE1506HT, T1 (Top Air Discharge)



14-1013

Date 3/15/17

ICE1506 Service Parts

This parts list contains the service parts available for the ICE1506 icemakers.

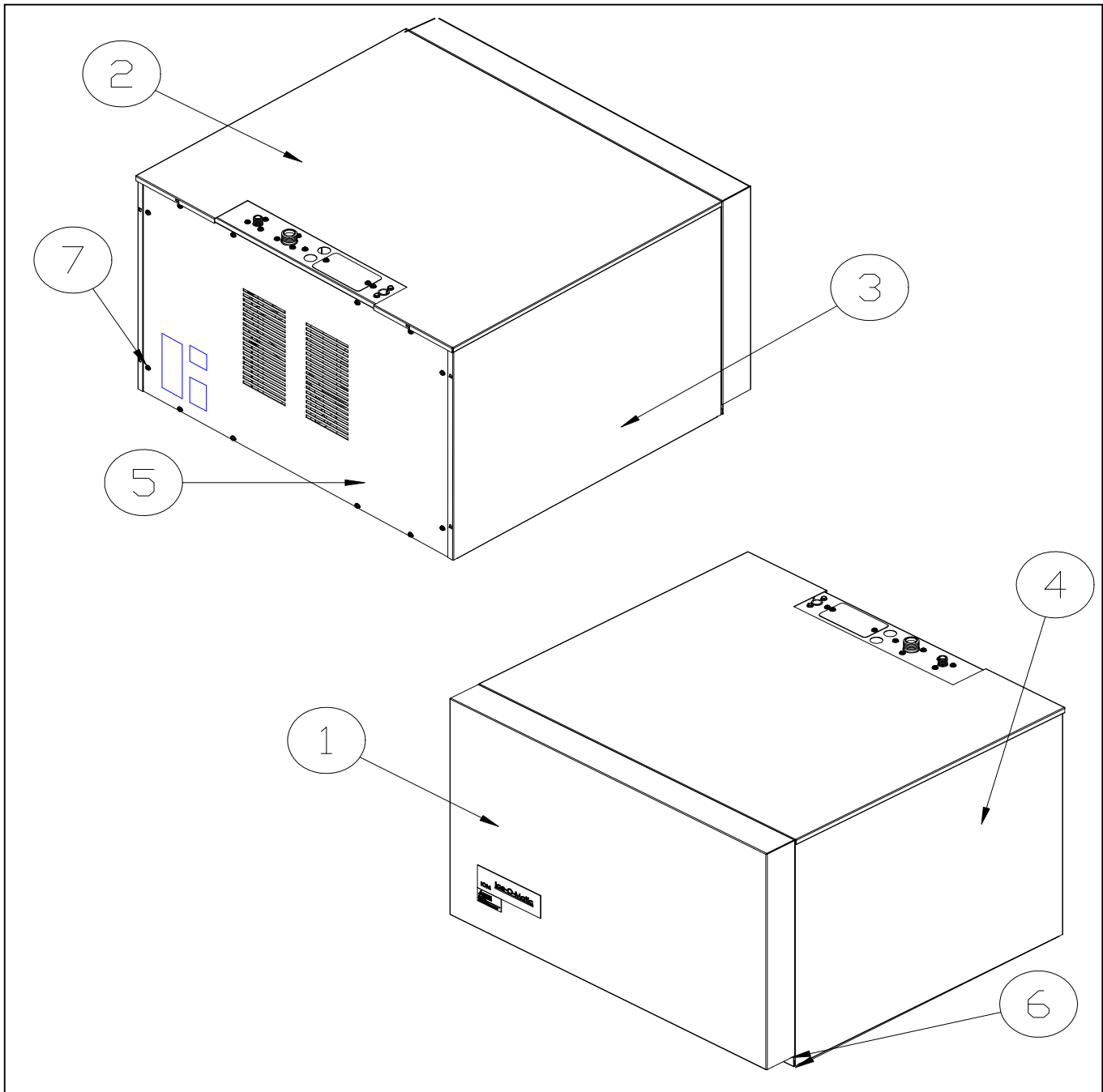
- ICE1506R
- ICE1506R2
- ICE1506R3 From Serial Number 0801
- ICE1506R4 From Serial Number 12021280011418
- ICE1506R5 From Serial Number 15021280012575
- ICE1506HT**

Check the model number on the data plate and refer to the correct listing for the specific component.

Check carefully that the correct part is identified and ordered.

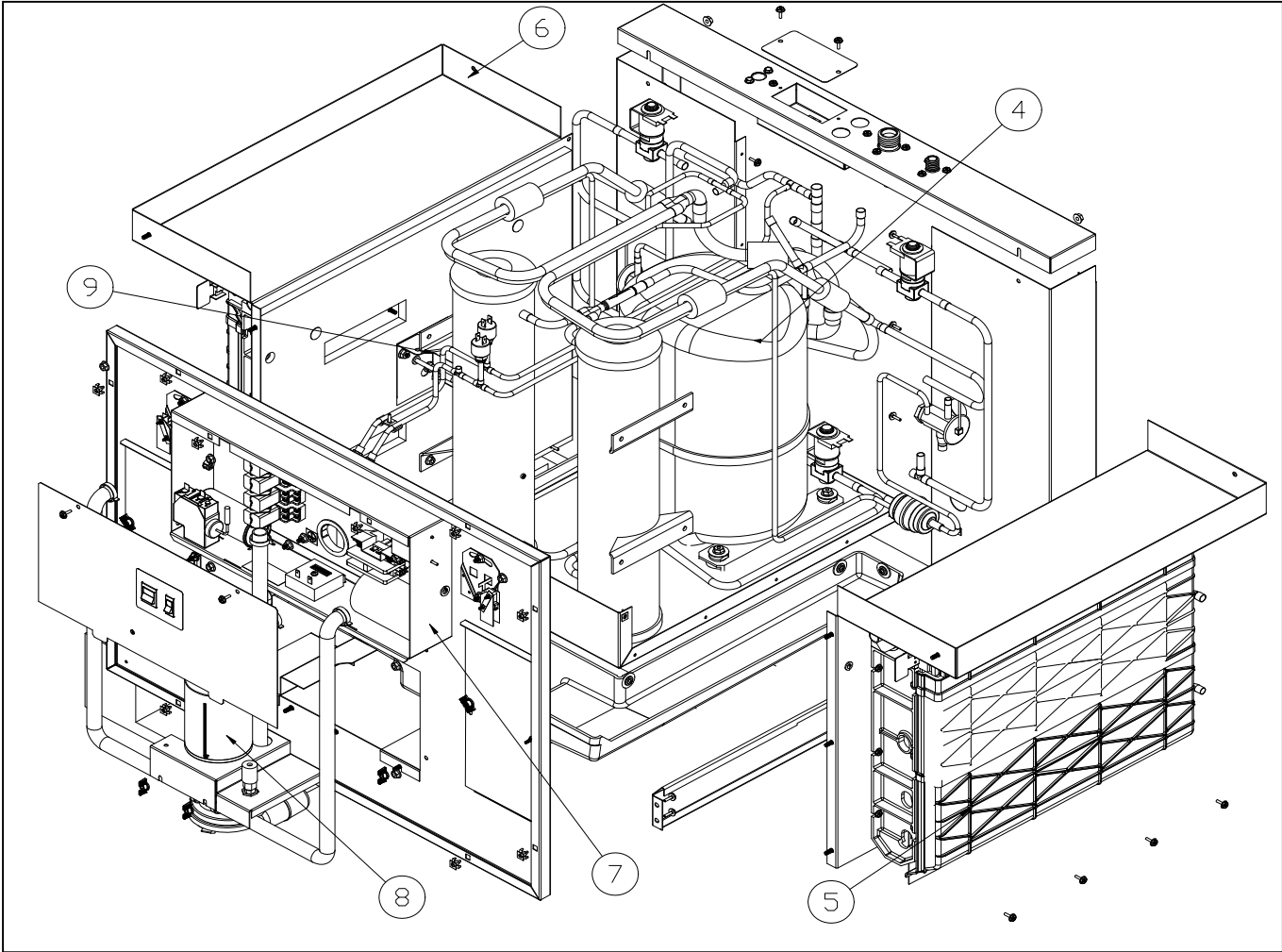
| | |
|---|----------------|
| Table of Contents | Page 1 |
| Cabinet Exterior Panels | Page 2 |
| Cabinet Breakdown | Page 3 |
| Refrigeration System | Page 4 |
| Evaporator and Components (Right Side) | Page 5 |
| Evaporator and Components (Left Side) | Page 6 |
| Control Box and Bin Switch Assembly | Page 7 |
| Water Pump/Float Assembly | Page 8 |
| Harvest Probe Assembly | Page 9 |
| Remote Condenser VRC2661 | Page 10 |
| Remote Condenser LRC2661 | Page 12 |
| Top Air Discharge Components | Page 13 |

Ice-O-Matic
11100 East 45th Ave.
Denver Co. 80239
800-423-3367



| Item No. | Note: Rev= Model Revision | Part Number |
|----------|---------------------------------------|-------------|
| | Description | |
| 1 | Front Panel | 2031493-01S |
| | Front Panel Rev5 | 2031527-01S |
| | Front Panel Rev3 SN0801 & Rev4 SN1202 | 2031510-01S |
| 2 | Top Cover | 3021872-01 |
| | Top Cover Rev3 SN0801 & Rev4 SN1202 | 3021931-01 |
| 3 | L.H Side Panel | 2101363-02S |
| 4 | R.H Side Panel | 2101363-01S |
| 5 | Back Panel | 3021871-01 |
| | Back Panel Rev3 SN0801 & Rev4 SN1202 | 3021920-01 |
| 6 | Front Panel Screw | 9031098-03 |
| 7 | Rear Panel Screw | 9031046-01 |

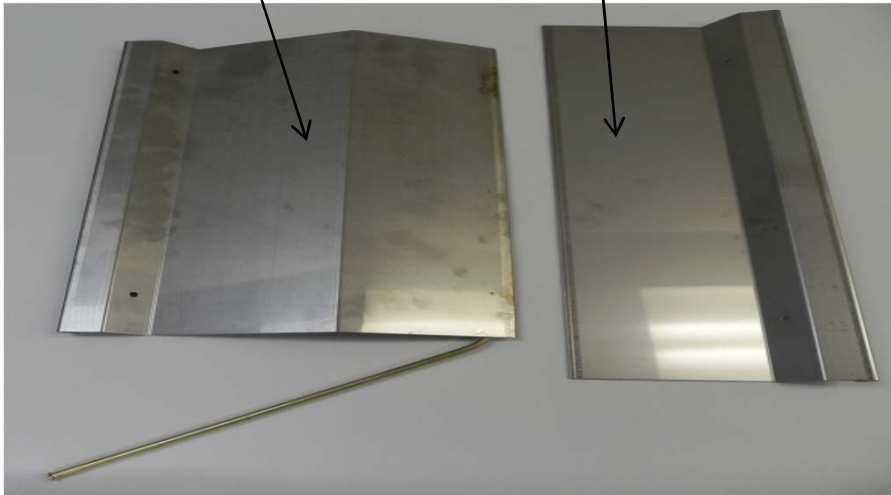
| Item No. | ICE1506 HT | Part Number |
|----------|--------------------------|-------------|
| | Description | |
| 1 | Front Panel | 2031530-01S |
| | | |
| | | |
| 2 | Top Cover | 3021988-01 |
| | | |
| 3 | L.H Side Panel | 2031531-01S |
| 4 | R.H Side Panel | 2031531-02S |
| 5 | Back Panel- UPPER | 3021992-01 |
| | Back Panel- LOWER | 3021989-01 |
| | | |
| | | |



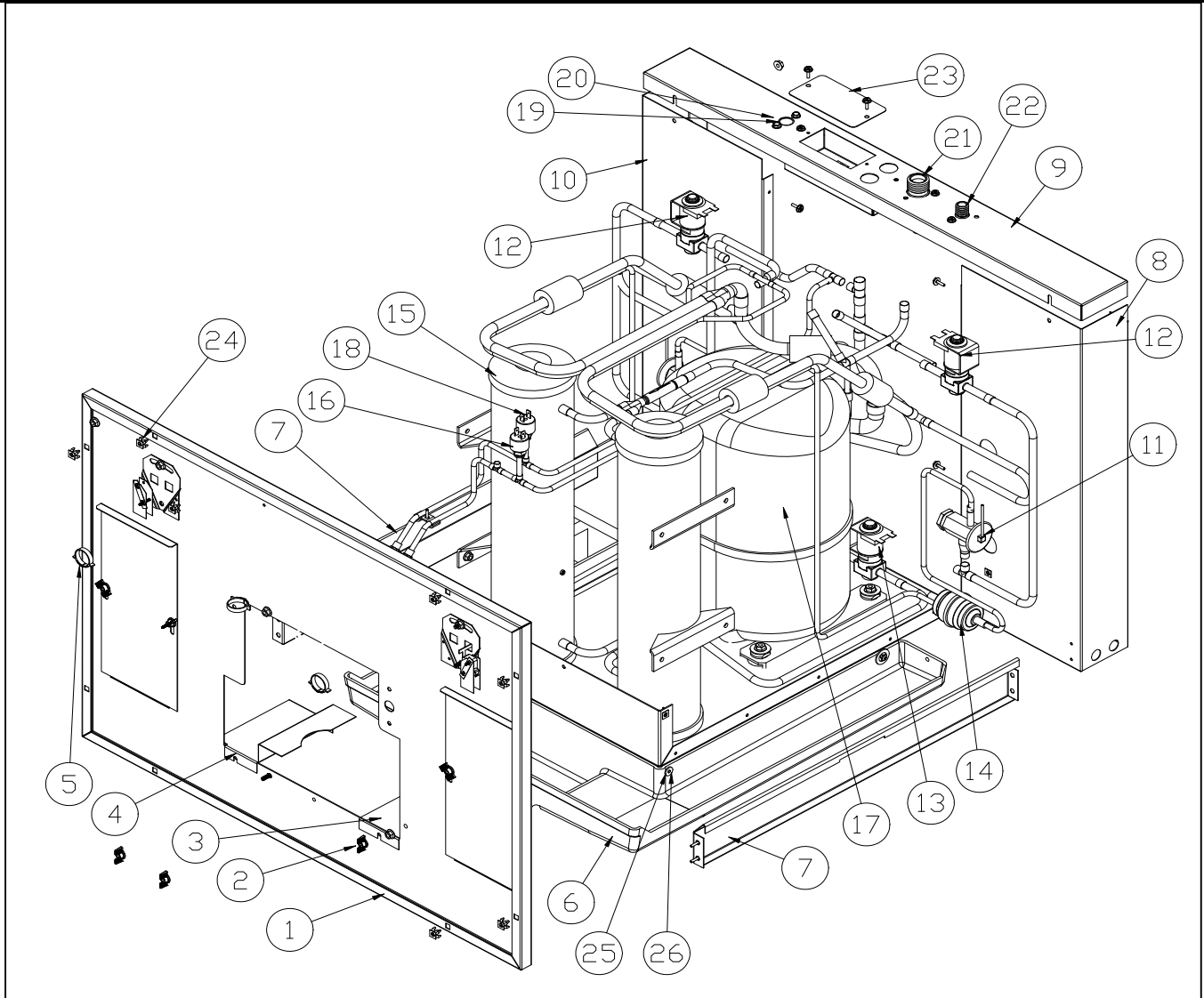
| Item No. | Page Number | Description |
|----------|-------------|-------------------------------------|
| 4 | Page No. 4 | Cabinet Base |
| 5 | Page No. 5 | Evaporator Assembly |
| 6 | Page No. 6 | Evaporator Assembly |
| 7 | Page No. 7 | Control Box and Bin Switch Assembly |
| 8 | Page No. 8 | Pump Assembly |
| 9 | Page No. 9 | Harvest Assist |
| 13 | Page No.13 | Top Air Discharge Components |

Ice Deflector Left Side 2021685-01

Ice Deflector Right Side 3013255-01



Ice Deflector Kit
1051160-01
Includes:
 2021685-01
 3013255-01



| Item No. | Description | Part Number |
|----------|--|-------------------|
| 1 | Front Frame Panel | 2021616-01 |
| 1 | Front Frame Panel Rev5 | 2021719-01 |
| 2 | Plastic Wing Nut | 9031161-01 |
| 3 | Water Pan Cover | 3012910-01 |
| 4 | Water Pan Cover | 3012958-01 |
| 5 | Hose Clamp | 9021010-04 |
| 6 | Water Pan | 9051473-01 |
| 7 | Ice Deflector | 3012924-01 |
| 8 | Rear Frame RH | 3013143-01 |
| 9 | Rear Brace | 3013144-01 |
| 10 | Rear Frame LH | 3013143-01 |
| 11 | Expansion Valve | 9151134-02 |
| 11 | Expansion Valve Rev3, Rev4 & Rev5 | 9151150-01 |
| 11 | Expansion Valve ICE1506HT | 9151150-01 |
| 12 | Hot Gas Valve | 9151123-01 |
| | Hot Gas Valve Coil | 9151123-04 |
| 13 | Liquid Line Solenoid | 9151123-02 |
| | Liq. Line Sol. Coil | 9151123-04 |
| 14 | Drier (Dual Drier) | 9151163-01 |
| 14 | Drier (Single) | 9151163-02 |

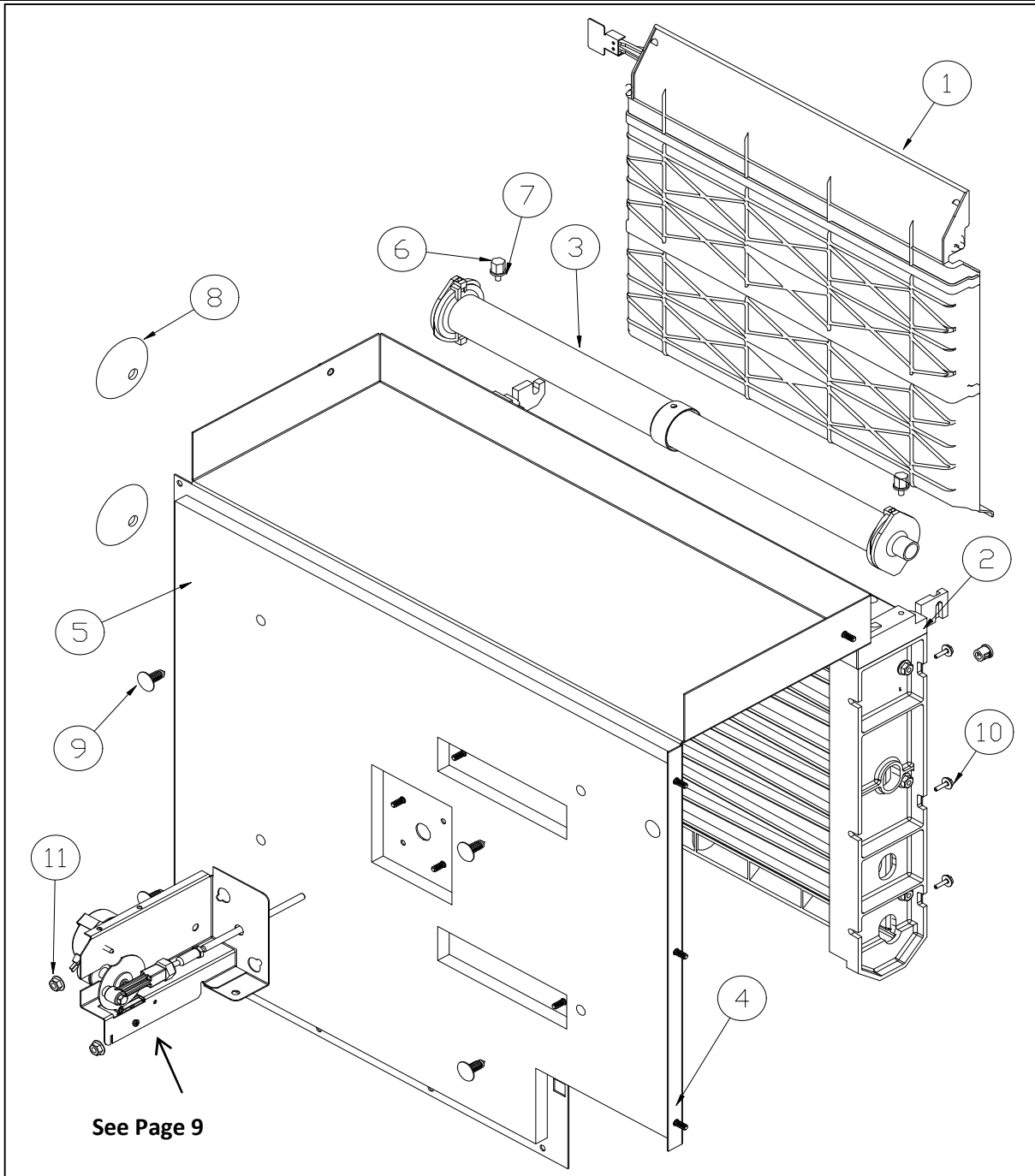
| Item No. | Description | Part Number |
|----------|----------------------------------|-------------|
| 15 | Receiver | 9151138-01 |
| 16 | Pump Down Control | 9041092-02 |
| 17 | Compressor Kit Rev 1 & 2 | 9181108-11 |
| 17 | Compressor Kit Rev3* | 9181142-11 |
| 17 | Compressor Kit Rev4 | 9181142-11 |
| 17 | Compressor Kit Rev5 | 9181142-11 |
| 17 | Compressor Kit ICE1506 HT | 9181149-11 |
| 18 | High Pressure Control | 9041091-01 |
| 19 | Drop Adapter | 9091074-01 |
| 20 | Water Inlet Fitting | 9091083-01 |
| 21 | 1/2" Coupling | 9091001-12 |
| 22 | 3/8" Coupling | 9091001-11 |
| 23 | Junction Box Cover | 3012103-01 |
| 24 | Plastic Nut | 9031141-01 |
| 25 | Flat Washer | 9031004-19 |
| 26 | Screw | 9031046-24 |
| | Plastic Drain Fitting | 9091140-01 |

***Compressor 9181111-11 NLA**

Note: Rev= Model Revision

Note: See Page 13 for Top Air Components

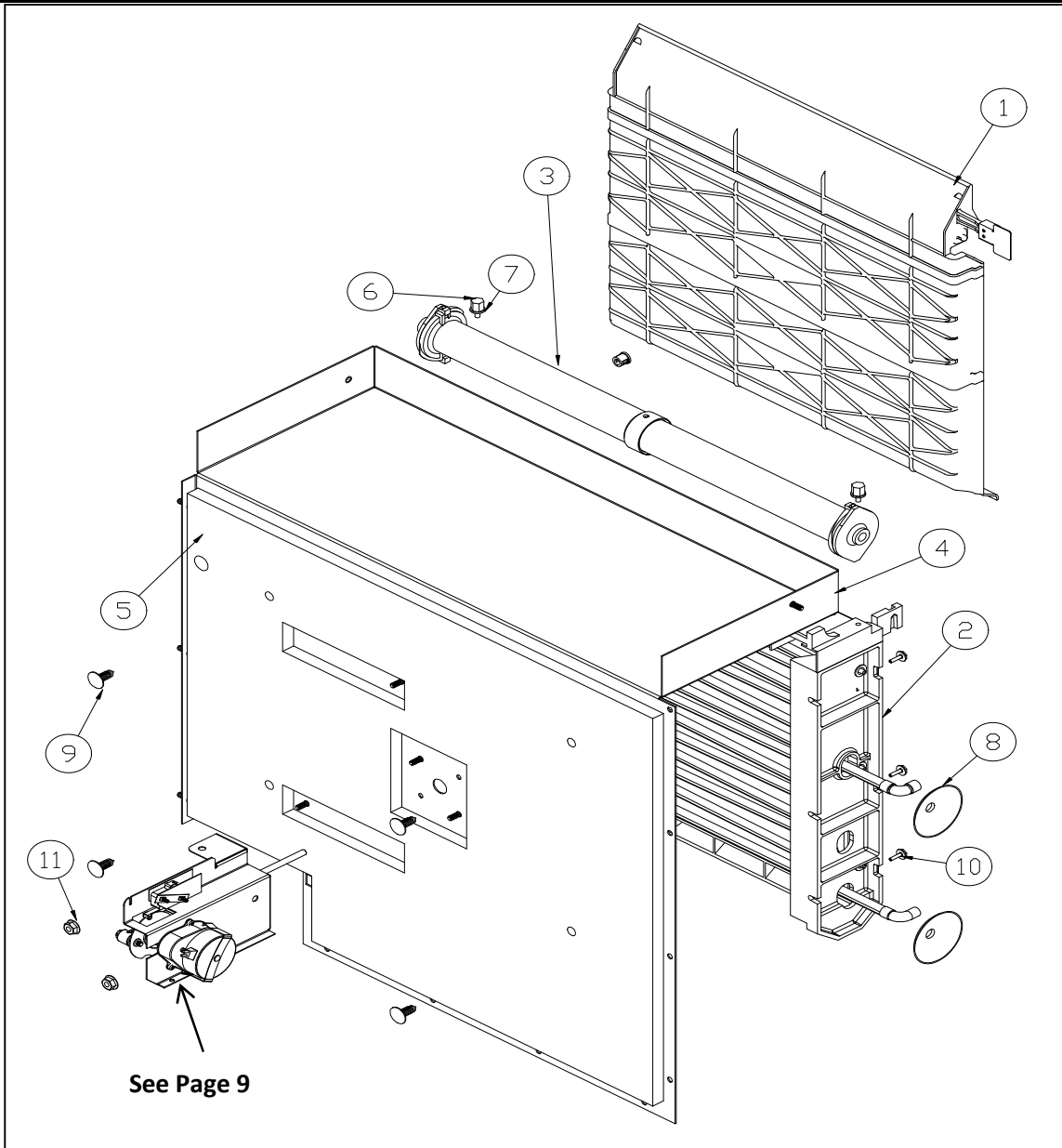
Note: Include installation Hardware



| Item No. | Description | Part Number |
|----------|--------------------------------------|-------------|
| 1 | Splash Curtain RH | 2101355-03S |
| 1 | Splash Curtain RH Rev3, Rev4 & Rev5 | 2101416-01S |
| 1 | Splash Curtain RH ICE1506 HT | 2101416-01S |
| 2 | Evap. RH Side--Half | 2051147-82 |
| 2 | RH Half Beg. 06011280012042 | 2051232-82A |
| 2 | Evaporator Right Side--Full | 2051147-81 |
| 2 | RH Full Beg. 06011280012042 | 2051232-81A |
| 2 | Evap. RH Side-Half Rev3, Rev4 & Rev5 | 2051238-82A |
| 2 | Evap. RH Side-Half ICE1506HT | 2051238-82A |
| 2 | Evap RH Side-Full Rev3, Rev4 & Rev5 | 2051238-81A |

Note: Rev= Model Revision
Includes Elbows

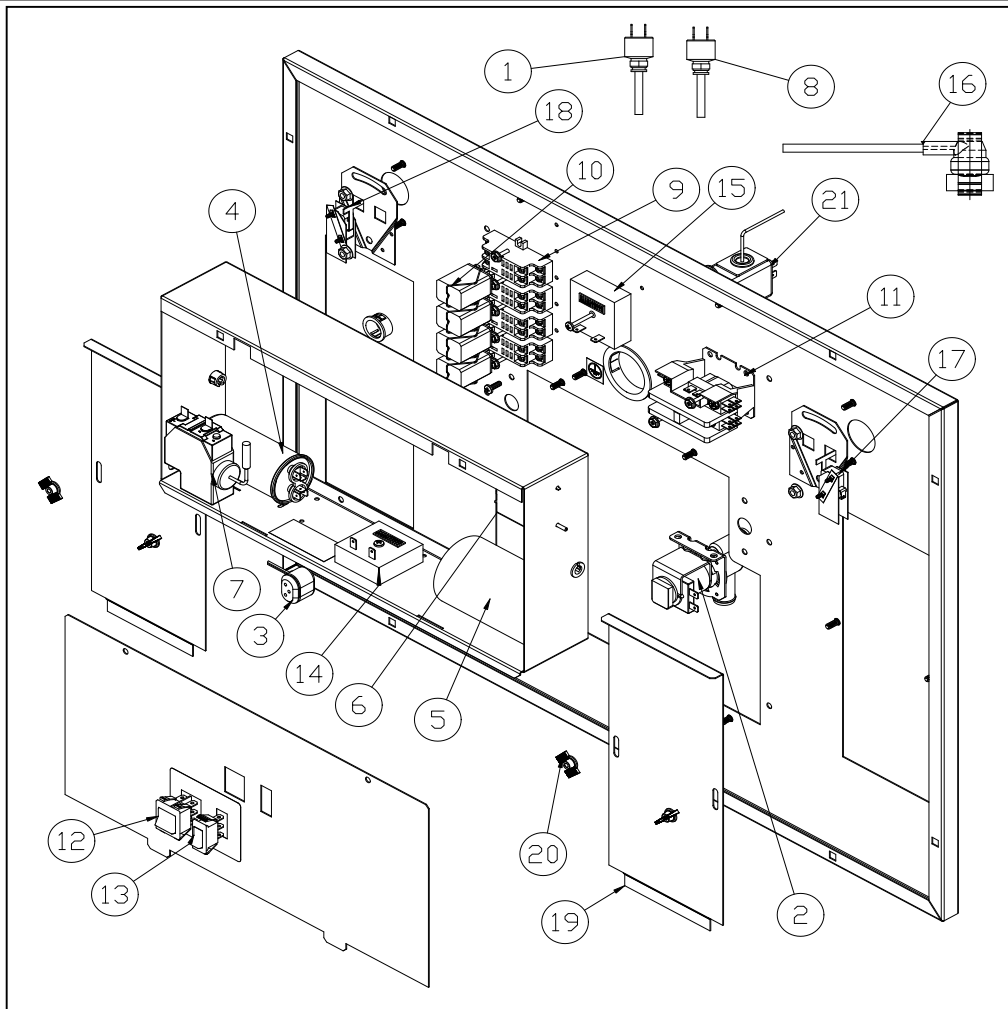
| Item No. | Description | Part Number |
|----------|-------------------------|-------------|
| 3 | Water Distribution Tube | 2041338-02 |
| 4 | Frame Panel RH | 2021619-01 |
| 4 | Frame Panel RH Rev5 | 2021720-01 |
| 5 | Insulation, Side Panel | 9131444-01 |
| 6 | Thumb Screw | 9031122-01 |
| 7 | Rubber Washer | 9031004-19 |
| 8 | Tube Washer | 9051237-01 |
| 9 | Clips | 9031154-01 |
| 10 | #10-16 X 1/2 Screw | 9031046-01 |
| 11 | #10-24 Flanged Locknut | 9031118-03 |



| Item No. | Description | Part Number |
|----------|--|-------------|
| 1 | Splash Curtain LH | 2101355-04 |
| 1 | Splash Curtain LH Rev3, Rev4 & Rev5 | 2101416-02S |
| 1 | Splash Curtain LH ICE1506HT | 2101416-02S |
| 2 | Evaporator Left Side--Half | 2051148-82A |
| 2 | Evaporator Left Side--Full | 2051148-81A |
| 2 | Evap Left Side--Half Rev3, Rev4 & Rev5 | 2051237-82A |
| 2 | Evap Left Side--Half ICE1506HT | 2051237-82A |
| 2 | Evap Left Side--Full Rev3, Rev4 & Rev5 | 2051237-81A |
| 3 | Water Distribution Tube | 2041338-02 |
| 4 | Frame Panel LH | 2021619-02 |
| 4 | Frame Panel LH Rev5 | 2021721-01 |
| 5 | Insulation, Side Panel | 9131444-02 |
| 6 | Thumb Screw | 9031122-01 |
| 7 | Rubber Washer | 9031004-19 |
| 8 | Tube Washer | 9051237-01 |
| 9 | Clips | 9031154-01 |
| 10 | #10-16 X 1/2 Screw | 9031046-01 |
| 11 | #10-24 Flanged Locknut | 9031118-03 |

Note: Rev= Model Revision

Includes Elbows
Includes Elbows
Includes Elbows
Includes Elbows
Includes Elbows



| Item No. | Description | Part Number |
|----------|--|---------------------|
| 1 | Pump Down Control | 9041092-02 |
| 2 | Purge Valve | 9041105-05 |
| 3 | Water Pump Cord | 9101218-10 |
| 4 | Run Capacitor See Detail* | See Detail |
| 5 | Start Capacitor See Detail* | See Detail |
| 6 | Start Relay See Detail* | See Detail |
| 7 | Timer Initiate Control*** | 9041104-101A |
| 8 | High Pressure Control | 9041091-01 |
| 9 | Relay Socket | 9101083-01 |
| 10 | Relay 230 Volt | 9101084-02 |
| 11 | Contactor | 9101002-06 |
| 12 | Selector Switch 9101349-01 is NLA | 9101195-01 |
| 13 | Purge Switch 9101348-01 is NLA | 9101139-03 |
| 13 | Purge Switch 1051208-01 is NLA | 9101139-03 |
| 14 | Timer (4 Second) | 9101148-01 |
| 15 | Timer (Cube Size) | 9101148-01 |
| 15 | Timer (6 minute) V3 0801 | 9101148-01 |
| 16 | High Temp Safety Rev1 & Rev 2 | 9041087-04 |
| 16 | High Temp Safety Rev3, Rev4 & Rev5 | 9041098-01 |
| 17-18 | Bin Limit Switch | 9101124-02 |
| 19 | Access Panel | 3013156-01 |
| 20 | Nylon Wing Nut | 9031161-01 |
| 21 | Bin Thermostat 9041004-02 is NLA | 9041097-01 |
| | Fan Control ICE1506 HT | 9041106-01 |

Note: Rev= Model Revision
*Compressor Detail

| | |
|---------------------------------------|------------|
| ICE1506R Rev1 & Rev2 | |
| Compressor Kit CS20K6E-PFV-235 | 9181108-11 |
| Start Capacitor | 9181003-21 |
| Run Capacitor | 9181009-20 |
| Start Relay | 9181010-10 |

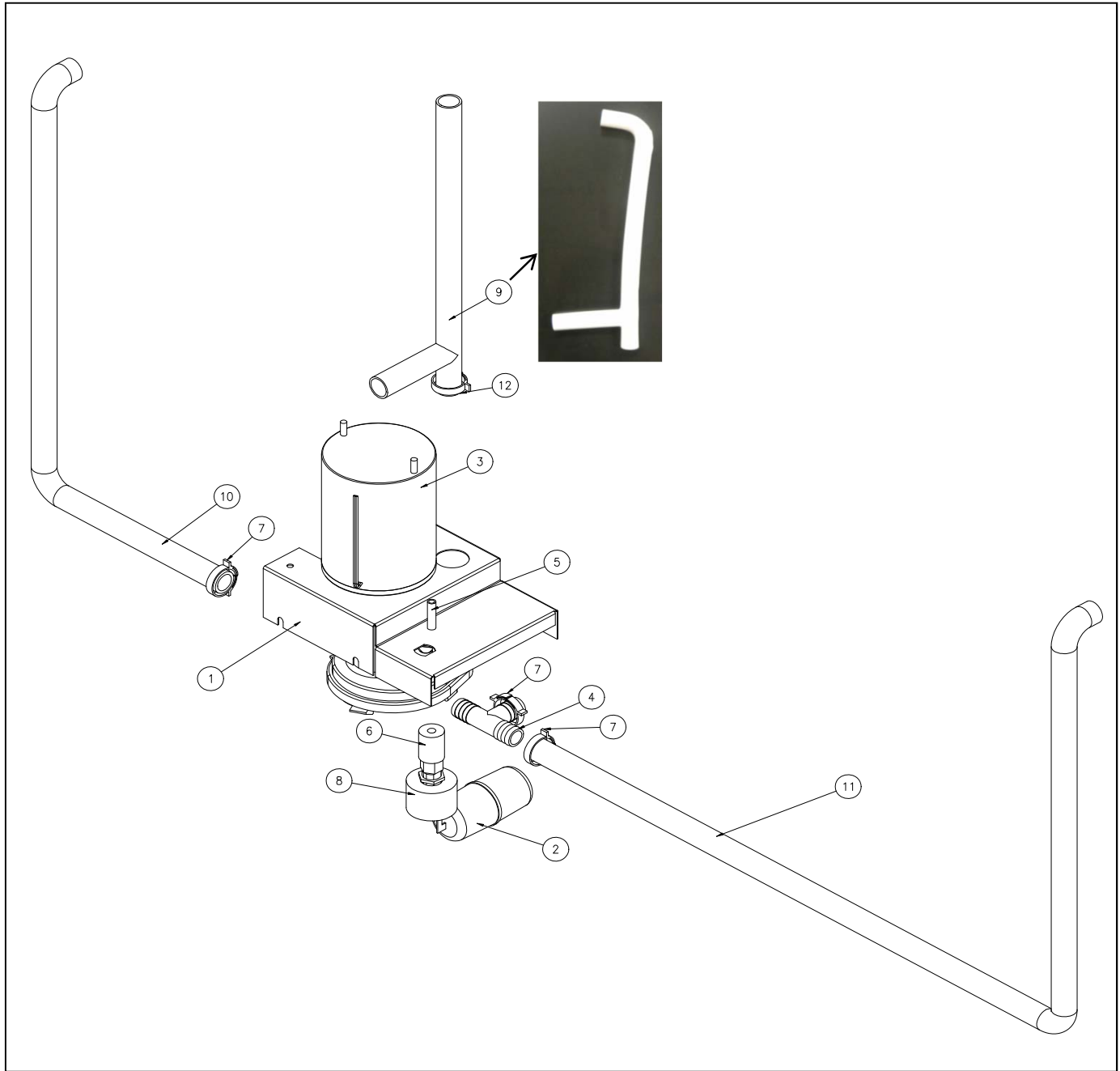
| | |
|---------------------------------------|------------|
| ICE1506R Rev3 From SN 0801 | |
| Compressor Kit CS18K6E-PFV-235 | 9181111-11 |
| Start Capacitor | 9181003-19 |
| Run Capacitor | 9181009-12 |
| Start Relay Rev | 9181010-10 |

| | |
|--|------------|
| ICE1506R Rev4 & Rev5 From SN 12021280011418 | |
| Compressor Kit CS18K6E-PFV-255 | 9181142-11 |
| Start Capacitor | 9181003-19 |
| Run Capacitor | 9181009-12 |
| Start Relay Rev | 9181010-10 |

| | |
|----------------------------------|------------|
| ICE1506HT | |
| Compressor Kit R92J323ABC | 9181149-11 |
| Start Capacitor | 9181003-19 |
| Run Capacitor | 9181009-20 |
| Start Relay Rev | 9181010-28 |

Refernece Compressor Model Number to insure the Correct Starting Components

Note*** Includes Solvent and Adhesive



| Item No. | Description | Part Number |
|----------|----------------------------------|--------------------|
| 1 | Water Pump Bracket | 3012957-01 |
| 2 | Float Assembly* | 9131111-102 |
| 3 | Water Pump | 9161079-06 |
| 3 | Water Pump ICE1506HT | 9161079-03 |
| 4 | Barbed Tee | 9091024-01 |
| 5 | 1/4 " ID Plastic Tubing-40" long | 3032898-40 |
| 6 | 1/4 " x 40" Long Insulation | 3051210-40 |
| 7 | Hose Clamp | 9021010-04 |
| 8 | Cap Plug | 9131026-02 |
| 9 | Purge/Pump Tube | 9051509-02 |
| 9 | Purge/Pump Tube** | 9051630-01 |
| 9 | Purge/Pump Tube ICE1506HT | 9051630-01 |

| Item No. | Description | Part Number |
|----------|--|-------------|
| 10 | Water Tube Evap Left | 9051507-02 |
| | Water Tube Evap Left Rev3, Rev4 & Rev5 | 9051554-01 |
| 10 | Water Tube Evap Left ICE1506HT | 9051554-01 |
| 11 | Water Tube Evap Right | 9051518-01 |
| | Water Tube Evap Right Rev3, Rev4 & Rev5 | 9051555-01 |
| 11 | Water Tube Evap Right ICE1506HT | 9051555-01 |
| 12 | Hose Clamp | 9021010-04 |

Note: Rev= Model Revision

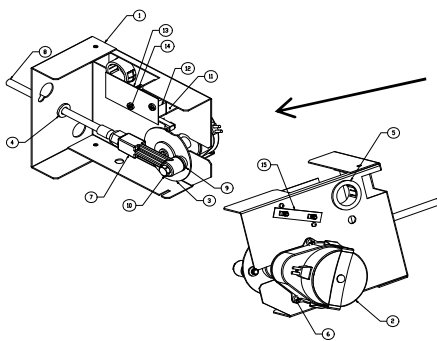
*Note-Float Assembly Includes Fittings for Various Applications

** Note-From Serial Number 13091280011075 (Pictured)

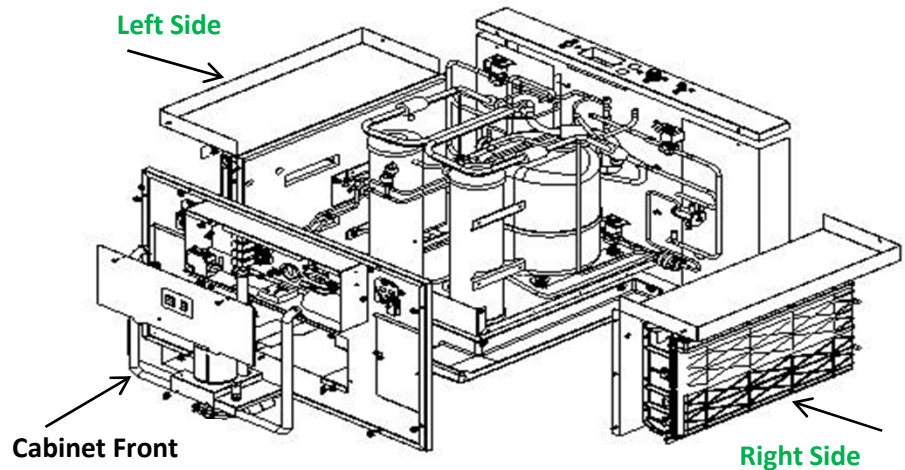
| Item No. | Description | Part Number | Note: Rev= Model Revision |
|----------|-------------------------------------|--------------------|------------------------------|
| | Complete Assembly Right | 1051210-02A | Rev3, Rev4 & Rev5 |
| | No Longer Available | 2061962-10S | Rev3, Rev4 & Rev5 |
| | Left Complete Assembly | 1051210-03A | Rev3, Rev4 & Rev5 |
| | Left Side Assembly | 2061962-03S | Rev3, Rev4 & Rev5 |
| | Complete Assembly Right | 1051210-02A | ICE1506HT |
| | No Longer Available | 2061962-10S | ICE1506HT |
| | Left Complete Assembly | 1051210-03A | ICE1506HT |
| | No Longer Available | 2061962-03S | ICE1506HT |
| | Complete Assembly Both Sides | 1051210-03A | Prior to Rev3 |
| | No Longer Available | 2061962-03S | Prior to Rev3 |

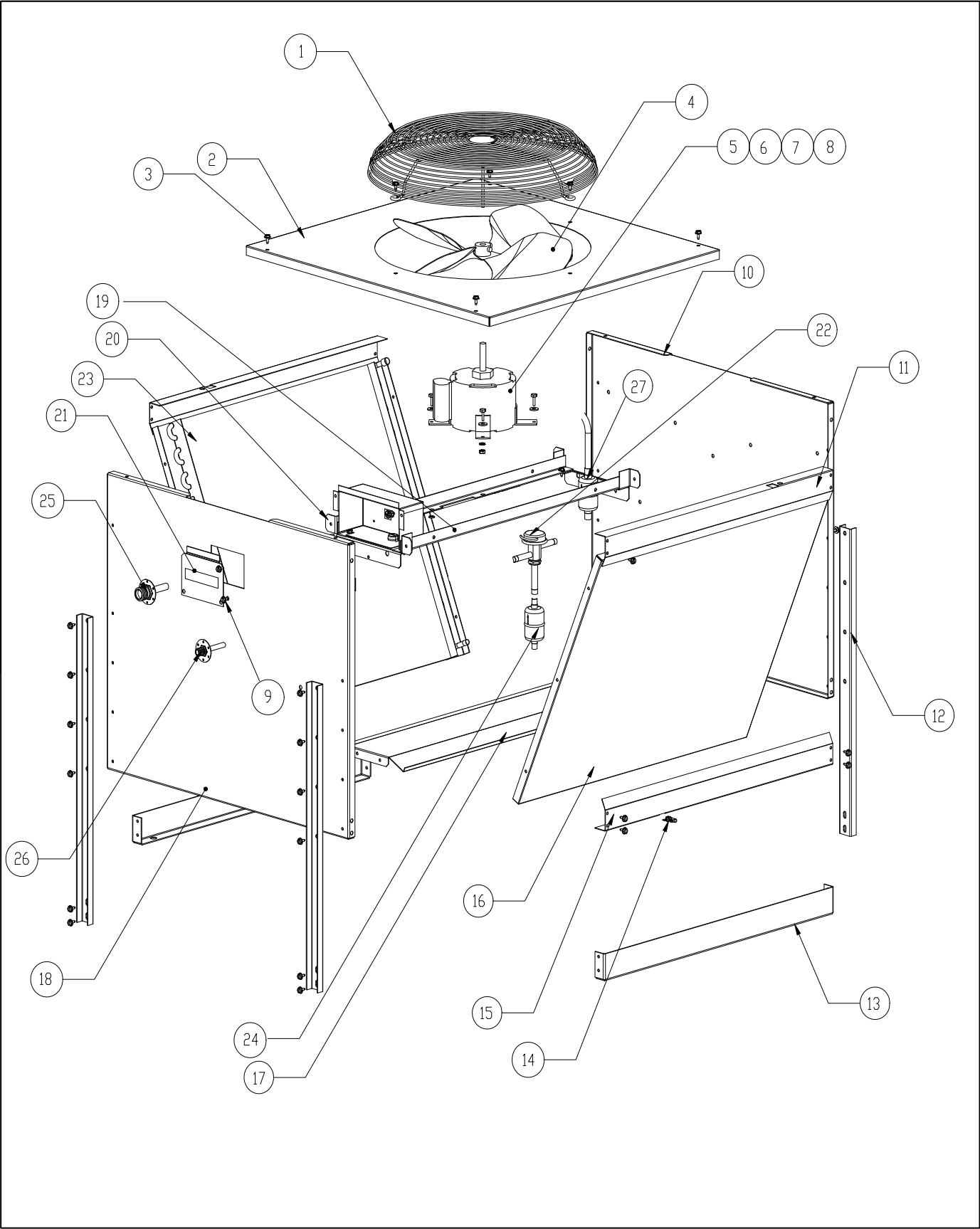


- The **1051210-XXA** assembly will fit all ICE Models from October 1999 and EC Models.
- Units installed with a double cam switch, either Field installed or Factory installed will require the complete assembly and a potential wiring change as per the New Wiring Diagram included with the assembly.
- Individual component parts are not available for the **1051210-XXA** assembly.
- Individual component parts are No Longer Available for previous version of the Harvest Assist Assembly
- Parts for the **2061962-XX** Harvest Assist Assembly are not compatible with **1051210-XXA** Harvest Assist Assembly.
- Proper assembly and alignment of the parts is critical to proper operation, this includes cam and probe alignment.
- If a **1051210-XXA** assembly fails, it must be returned to Ice-O-Matic.

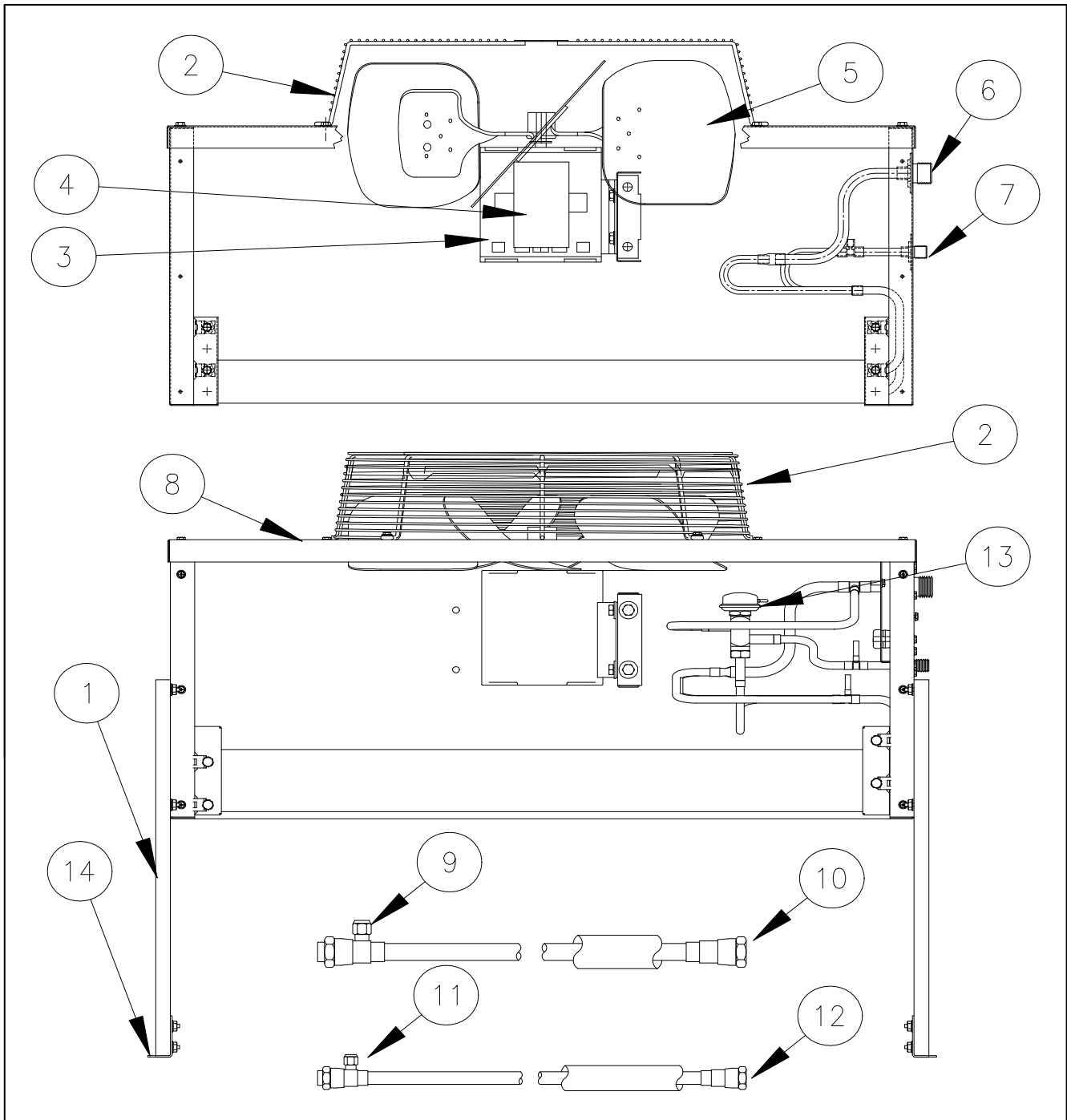


| |
|---------------------------------|
| 2061962-03S No Longer Available |
| 2061962-10S No Longer Available |



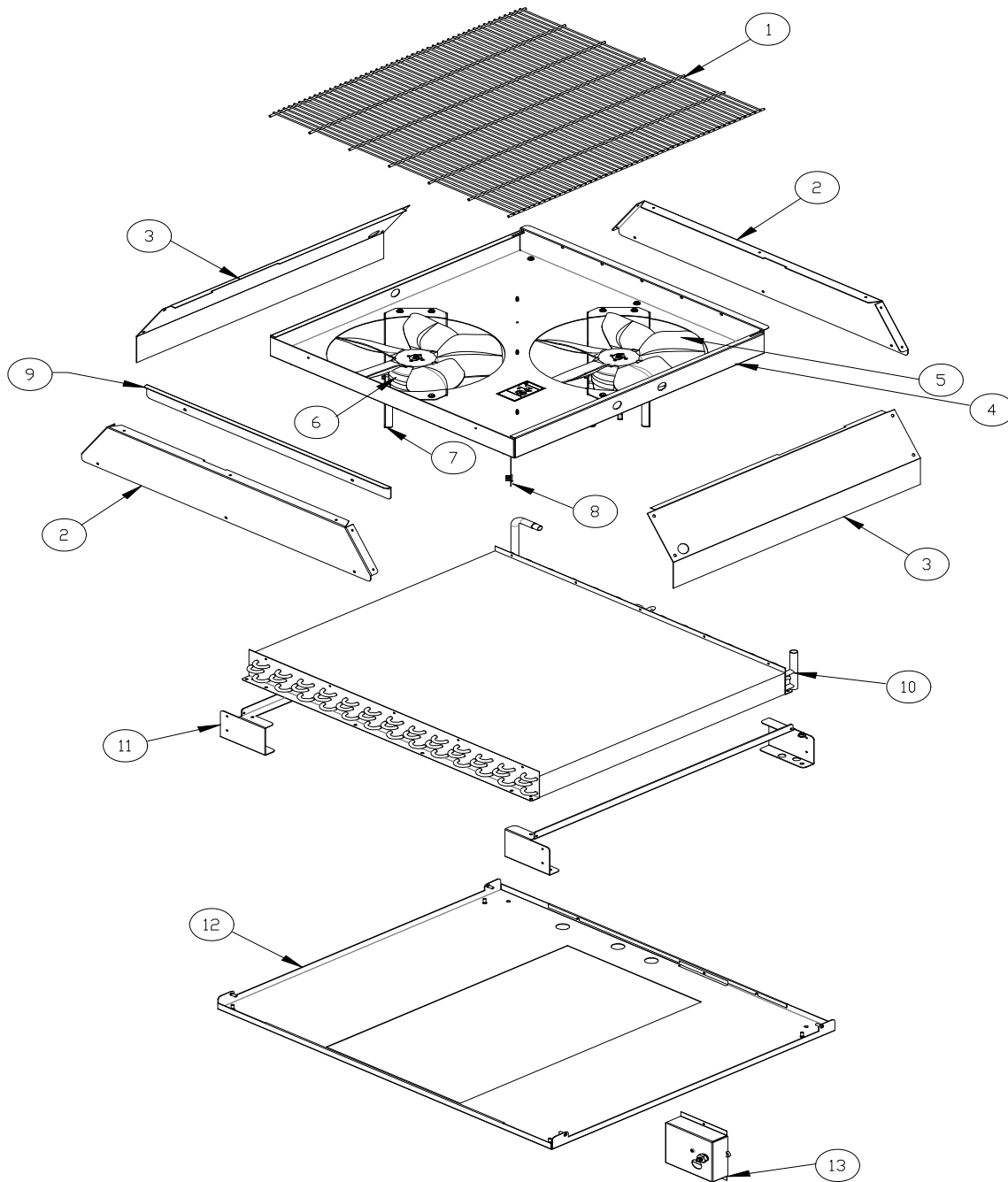


| Item | Description | VRC2661 |
|------|-----------------------------|------------|
| 1 | Fan Guard | 9131452-01 |
| 2 | Top Panel | 3013222-01 |
| 3 | ¼-20 x 1/2 Screw | 9031019-04 |
| 4 | Fan Blade | 9131451-01 |
| 5 | Fan Motor | 9161117-01 |
| 6 | ¼-20 x ¾ Cap Screw | 9031001-02 |
| 7 | Flat Washer | 9031003-01 |
| 8 | Flanged Lock Nut | 9031118-02 |
| 9 | ¼-20 x 1/2 Screw | 9031019-04 |
| 10 | Rear Panel | 3013224-01 |
| 11 | Brace | 3013226-01 |
| 12 | Leg | 3013227-01 |
| 13 | Leg Brace | 3013228-01 |
| 14 | T-Nut-Shipping Only | N/A |
| 15 | Brace | 3013226-01 |
| 16 | Cover Panel | N/A |
| 17 | Center Panel | 3013225-01 |
| 18 | Front Panel | 3013223-01 |
| 19 | Motor Brace | 3013234-01 |
| 20 | Motor Brace Support | 3013233-01 |
| 21 | Junction Box Cover | 3013229-01 |
| 22 | Mixing Valve | 9151027-07 |
| 23 | Condenser | 9141136-01 |
| 24 | Filter | 9151143-01 |
| 25 | 1/2 Coupling | 9091001-12 |
| 26 | 3/8 Coupling | 9091001-11 |
| 27 | Filter | 9151143-02 |
| | Low Ambient Fan Control Kit | 1051158-01 |



| Item No. | Description | Part Number |
|----------|------------------------|-------------|
| 1 | Mounting Leg | 3013125-01 |
| 2 | Fan Guard | 9131356-01 |
| 3 | Fan Motor | 9161110-02 |
| 4 | Capacitor | 9161110-92 |
| 5 | Fan Blade | 9131357-01 |
| 6 | Coupling-Bulkhead-1/2" | 9091001-12 |
| 7 | Coupling-Bulkhead-3/8" | 9091001-11 |

| Item No. | Description | Part Number |
|----------|---------------------------|-------------|
| 8 | Top Panel | 3013124-01 |
| 9 | Coupling Half 1/2" w/port | 9091001-10 |
| 10 | Coupling Half 1/2" | 9091001-08 |
| 11 | Coupling Half 3/8" w/port | 9091001-04 |
| 12 | Coupling Half 3/8" | 9091001-02 |
| 13 | Mixing Valve | 9151027-06 |
| 14 | Leg Brace | 3013126-01 |



ICE1506 Top Air Discharge

| | | |
|----|--------------------------|------------|
| 1 | Wire Fan Guard | 9131454-02 |
| 2 | Bracket, Condenser End | 3013574-01 |
| 3 | Cover, Condenser | 3013576-01 |
| 4 | Shroud, Fan | 3013563-01 |
| 5 | Fan Blade | 9131489-01 |
| 6 | Fan Motor | 9161125-01 |
| 7 | Bracket, Fan | 3013561-01 |
| 8 | Bracket, Divider | 3013562-01 |
| 9 | Bracket, Grill | 3013575-01 |
| 10 | Condenser | 9141144-01 |
| 11 | Bracket, Condenser Frame | 3013573-01 |
| 12 | Base | 2021751-01 |
| 13 | Junction Box | 3013266-01 |