



HOSHIZAKI

Parts List

Modular Flaker

Models

FD-1002MAJ-C, MRJ-C



hoshizakiamerica.com

Number: 71372
Issued: 8-19-2016

CONTENTS

| | |
|--|----|
| Note About Ordering Parts | 3 |
| A. Main Assembly & Refrigeration Circuit | 4 |
| FD-1002MAJ-C | 4 |
| FD-1002MRJ-C | 6 |
| B. Icemaking Unit..... | 8 |
| C. Water Circuit..... | 10 |
| D. Control Box Assembly..... | 12 |
| E. Accessories & Labels | 14 |

Auxiliary Codes

FD-1002MAJ-C

F-0 August 2016

FD-1002MRJ-C

F-0 August 2016

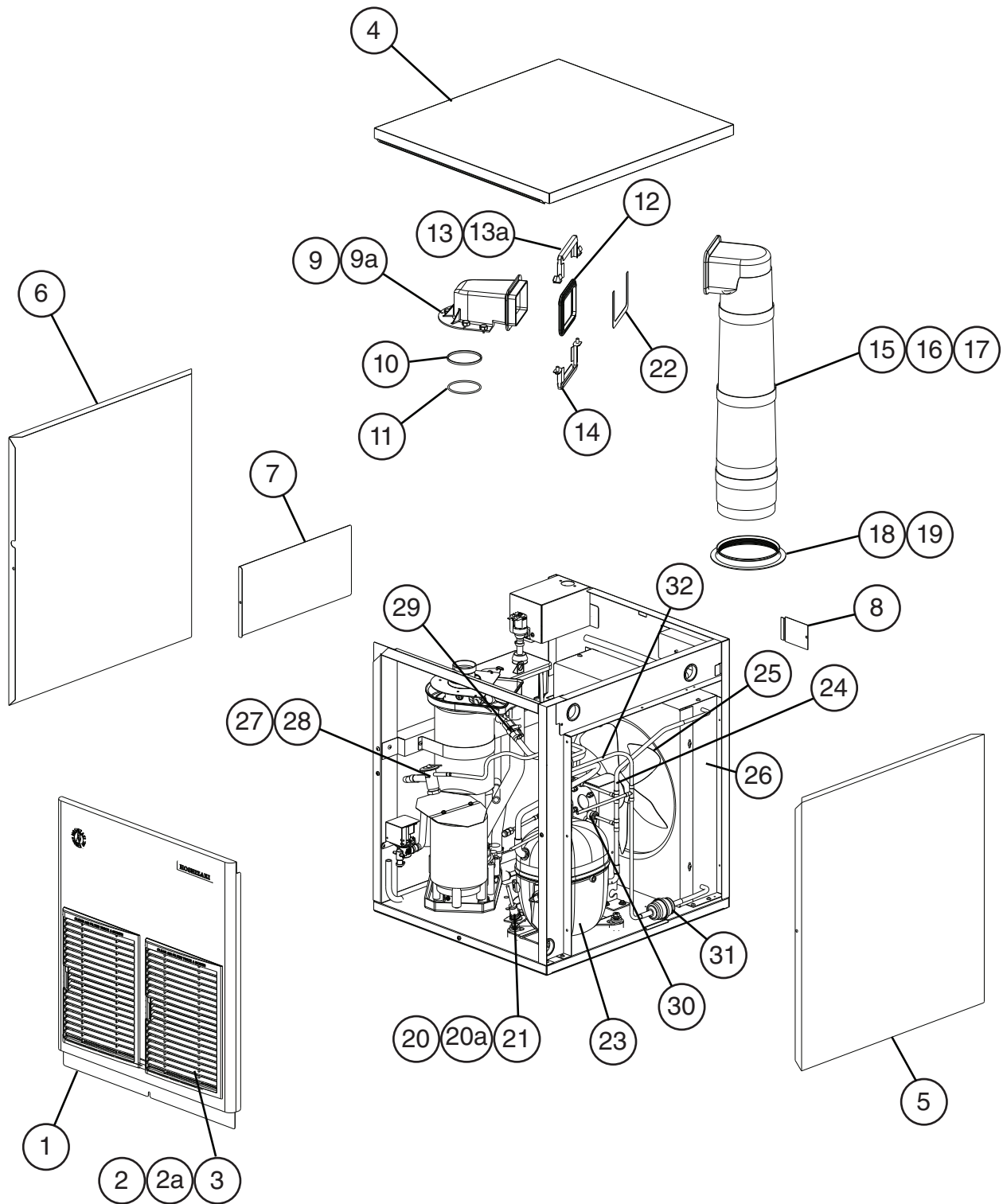
Auxiliary Code Breakdown

The auxiliary code is the first two characters in the serial number. The first character indicates the year. Years progress or regress in alphabetical order. The series runs from "A" through "V" and the letters "I" and "O" are skipped. The second character indicates significant part changes within a year. Base is "0" and this number advances for each change. In cases where there is a letter in parentheses, this designates the month. This is the last character in the serial number. The series runs from "(A)" through "(M)" and the letter "(I)" is skipped. This designation is only included when identifying a parts change within an auxiliary code.

Note About Ordering Parts

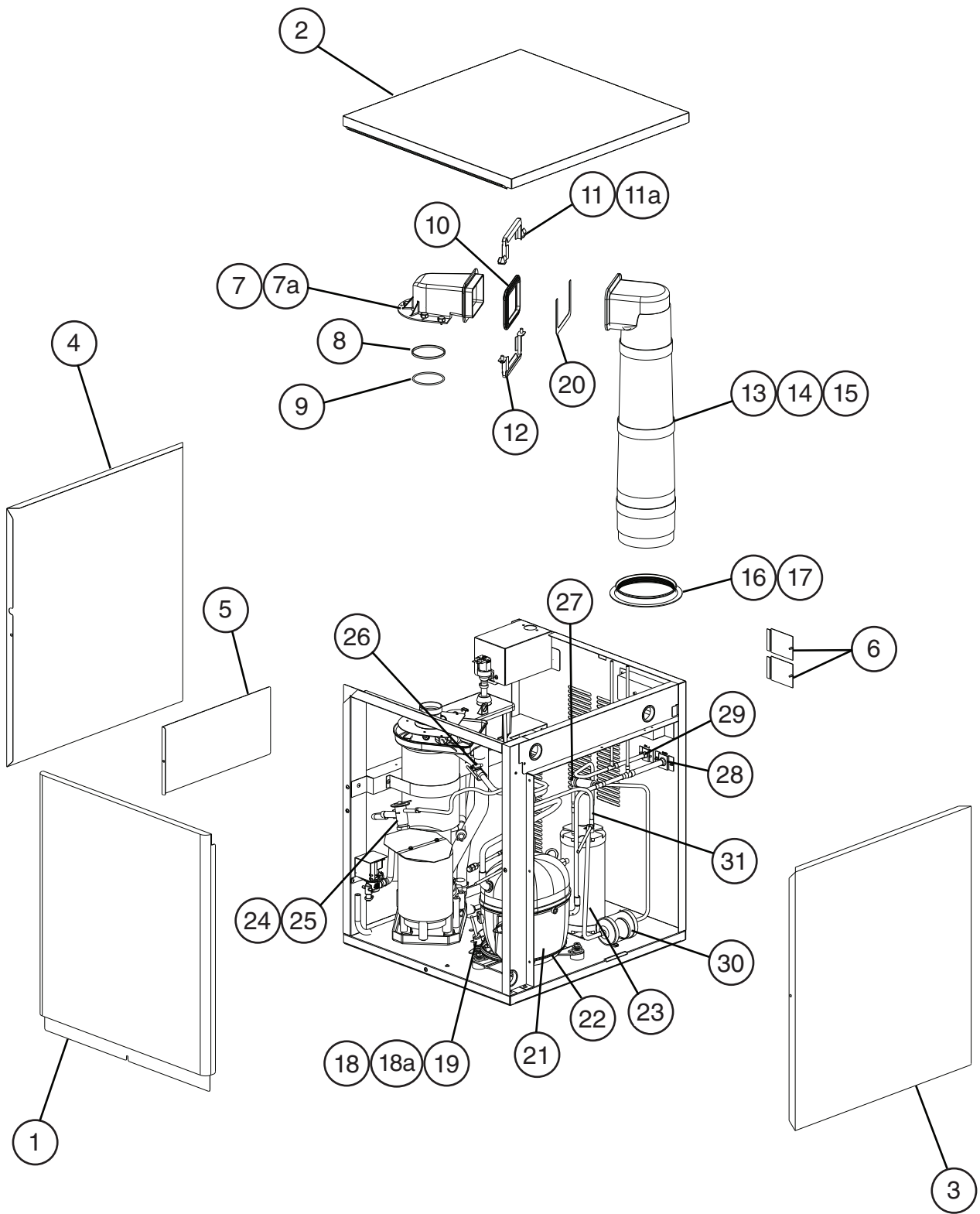
Most assemblies cannot be ordered as complete units; parts in the assemblies generally must be ordered separately.

A. Main Assembly & Refrigeration Circuit
FD-1002MAJ-C
 F-0



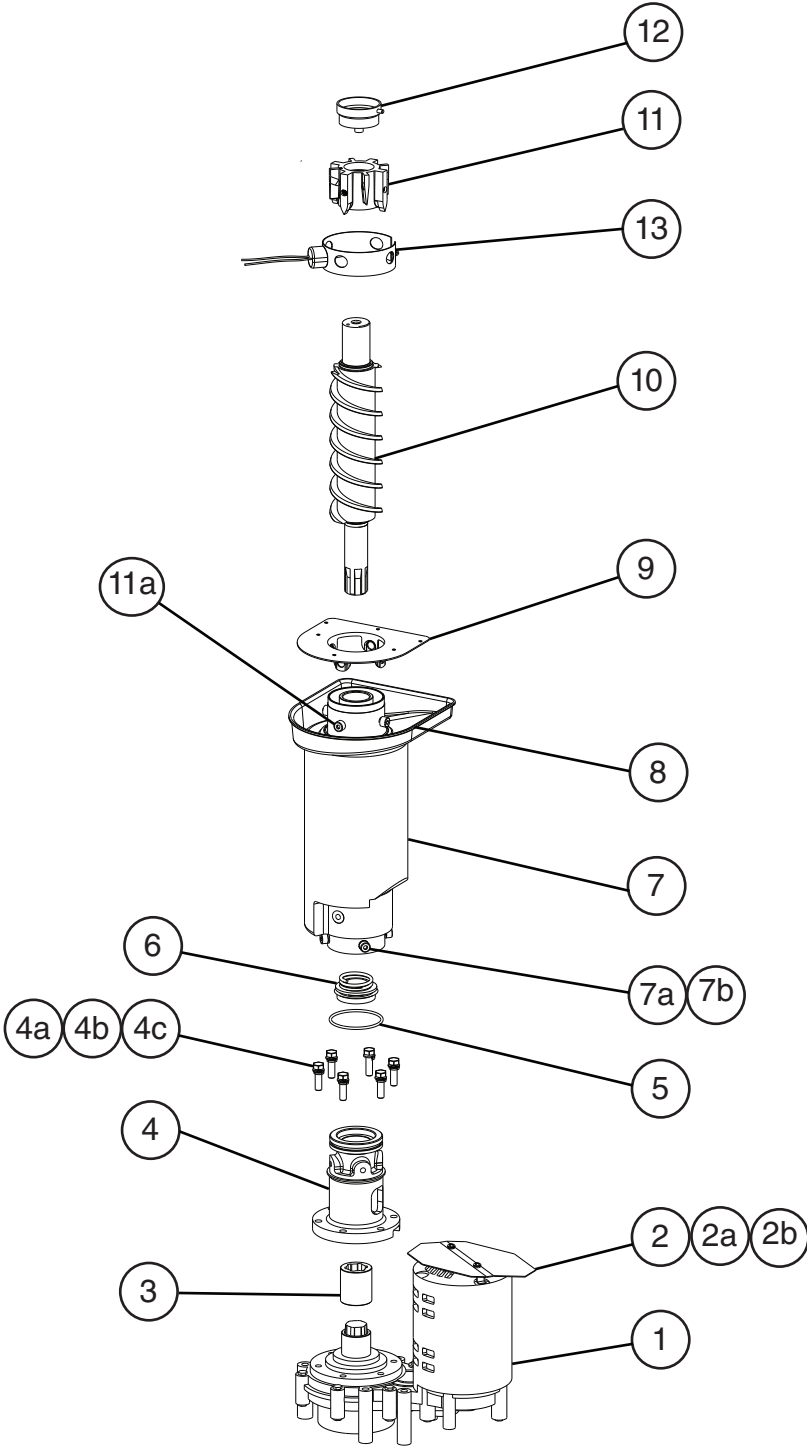
| Title: A. Main Assembly & Refrigeration Circuit Model: FD-1002MAJ-C | | | | | | | | | | | | |
|---|--|--------------------------|-------------|-----------------|--|--|--|--|--|--|--|--|
| Index No. | Description | Material or Model Number | Part Number | Required Number | | | | | | | | |
| | | | | F-0 | | | | | | | | |
| Main Assembly | | | | | | | | | | | | |
| 1 | Front Panel | | 2A3824-01 | 1 | | | | | | | | |
| 2 | Louver | | 1A0548-01 | 2 | | | | | | | | |
| 2a | Push Retainer | | 4A2414-01 | 6 | | | | | | | | |
| 3 | Air Filter | | 2A2063G01 | 2 | | | | | | | | |
| 4 | Top Panel | | 2A7090-01 | 1 | | | | | | | | |
| 5 | Right Side Panel | | 2A4432G01 | 1 | | | | | | | | |
| 6 | Left Side Panel | | 2A3897G01 | 1 | | | | | | | | |
| 7 | Control Box Cover | | 3A4544-01 | 1 | | | | | | | | |
| 8 | Junction Box Cover | | 433410-01 | 1 | | | | | | | | |
| 9 | Spout | | 104797-01 | 1 | | | | | | | | |
| 9a | Thumbscrew | | 415949G08 | 5 | | | | | | | | |
| 10 | O-Ring | | 4A4755-03 | 1 | | | | | | | | |
| 11 | Nylon Ring | | 432661-02 | 1 | | | | | | | | |
| 12 | Spout-to-Chute Packing | | 321037-01 | 1 | | | | | | | | |
| 13 | Upper Strap | | 328703-02 | 1 | | | | | | | | |
| 13a | Wing Nut | | 7E12-0600 | 2 | | | | | | | | |
| 14 | Lower Strap | | 321038G02 | 1 | | | | | | | | |
| 15 | Chute | | 2A1919-03 | 1 | | | | | | | | |
| 16 | Chute Insulation | | 2A1920-01 | 1 | | | | | | | | |
| 17 | Chute Tie | | 436531G01 | 3 | | | | | | | | |
| 18 | Chute Packing | | 432877-01 | 1 | | | | | | | | |
| 19 | Ring | | 3A1017-01 | 1 | | | | | | | | |
| 20 | Bin Control 1 Housing (infrared sensor) | | 3A3478-01 | 1 | | | | | | | | |
| 20a | Thumbscrew | | 415949G08 | 1 | | | | | | | | |
| 21 | Bin Control 1 (infrared sensor) | | 4A4469-01 | 1 | | | | | | | | |
| 22 | Spout-to-Chute Bracket | | 4A1712-01 | 1 | | | | | | | | |
| Refrigerator Circuit | | | | | | | | | | | | |
| 23 | Compressor | | 4A5669-01 | 1 | | | | | | | | |
| 24 | Fan Motor | | 4A3158-01 | 1 | | | | | | | | |
| 25 | Fan Blade | | 4A0197-01 | 1 | | | | | | | | |
| 26 | Condenser | | 211663-02 | 1 | | | | | | | | |
| 27 | Thermostatic Expansion Valve | | 4A1117-01 | 1 | | | | | | | | |
| 28 | Thermostatic Expansion Valve Cover | | 4A1168-01 | 1 | | | | | | | | |
| 29 | Thermostatic Expansion Valve Bulb Holder | | 3A0112-01 | 1 | | | | | | | | |
| 30 | High-Pressure Switch | | 463180-04 | 1 | | | | | | | | |
| 31 | Drier | | 4A2666-01 | 1 | | | | | | | | |
| 32 | Heat Exchanger | | 3A7904G01 | 1 | | | | | | | | |

A. Main Assembly & Refrigeration Circuit
FD-1002MRJ-C
 F-0



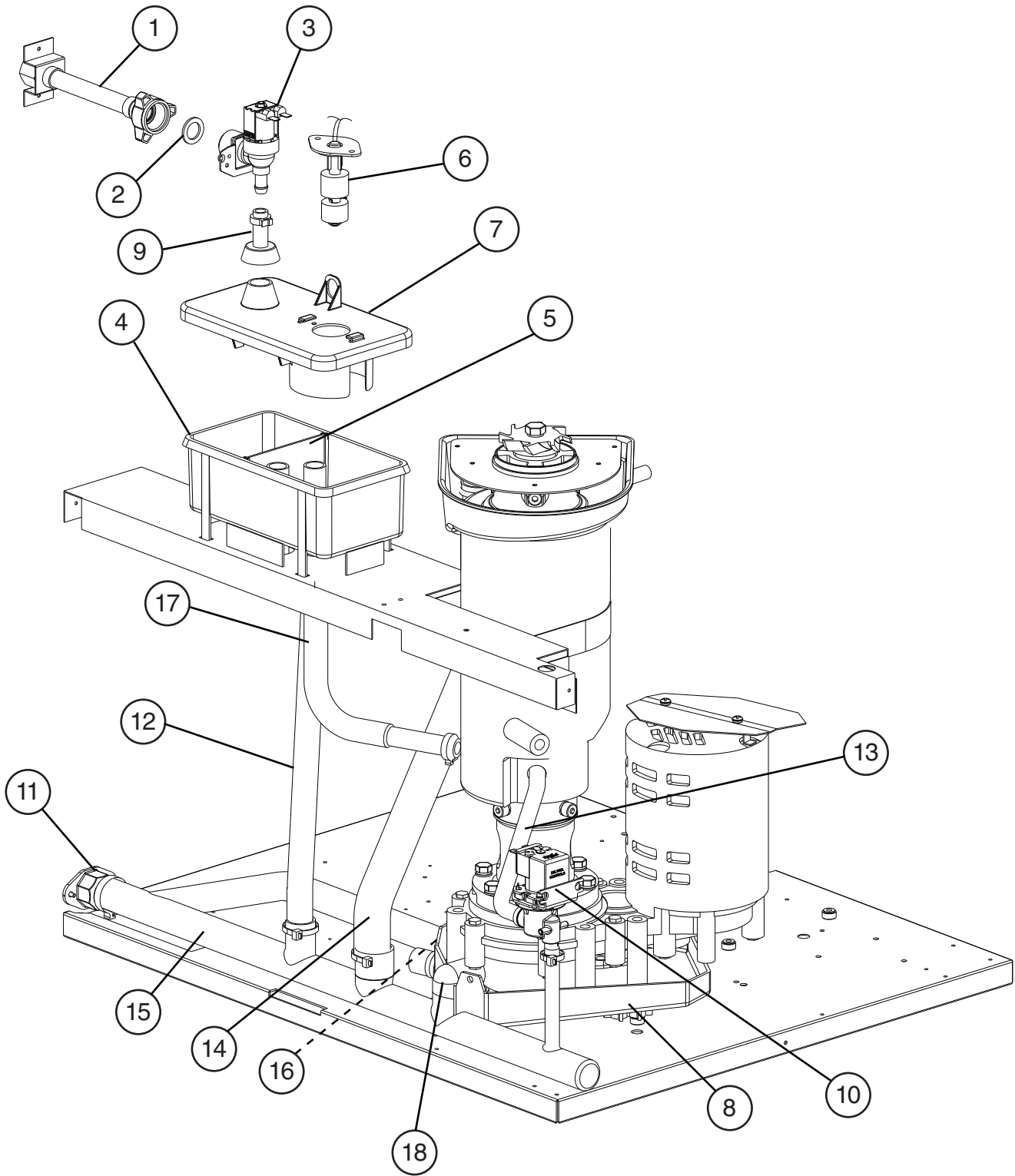
| Title: A. Main Assembly & Refrigeration Circuit Model: FD-1002MRJ-C | | | | | | | | | | | | |
|---|---|--------------------------|-------------|-----------------|--|--|--|--|--|--|--|--|
| Index No. | Description | Material or Model Number | Part Number | Required Number | | | | | | | | |
| | | | | F-0 | | | | | | | | |
| Main Assembly | | | | | | | | | | | | |
| 1 | Front Panel | | 2A4601-01 | 1 | | | | | | | | |
| 2 | Top Panel | | 2A7090-01 | 1 | | | | | | | | |
| 3 | Right Side Panel | | 2A4432G01 | 1 | | | | | | | | |
| 4 | Left Side Panel | | 2A3897G01 | 1 | | | | | | | | |
| 5 | Control Box Cover | | 3A4544-01 | 1 | | | | | | | | |
| 6 | Junction Box Cover | | 433410-01 | 2 | | | | | | | | |
| 7 | Spout | | 104797-01 | 1 | | | | | | | | |
| 7a | Thumbscrew | | 415949G08 | 5 | | | | | | | | |
| 8 | O-Ring | | 4A4755-03 | 1 | | | | | | | | |
| 9 | Nylon Ring | | 432661-02 | 1 | | | | | | | | |
| 10 | Spout-to-Chute Packing | | 321037-01 | 1 | | | | | | | | |
| 11 | Upper Strap | | 328703-02 | 1 | | | | | | | | |
| 11a | Wing Nut | | 7E12-0600 | 2 | | | | | | | | |
| 12 | Lower Strap | | 321038G02 | 1 | | | | | | | | |
| 13 | Chute | | 2A1919-03 | 1 | | | | | | | | |
| 14 | Chute Insulation | | 2A1920-01 | 1 | | | | | | | | |
| 15 | Chute Tie | | 436531G01 | 3 | | | | | | | | |
| 16 | Packing | | 432877-01 | 1 | | | | | | | | |
| 17 | Nylon Ring | | 3A1017-01 | 1 | | | | | | | | |
| 18 | Bin Control 1 Housing (infrared sensor) | | 3A3478-01 | 1 | | | | | | | | |
| 18a | Thumbscrew | | 415949G08 | 1 | | | | | | | | |
| 19 | Bin Control 1 (infrared sensor) | | 4A4469-01 | 1 | | | | | | | | |
| 20 | Spout-to-Chute Bracket | | 4A1712-01 | 1 | | | | | | | | |
| Refrigerator Circuit | | | | | | | | | | | | |
| 21 | Compressor | | 4A5669-01 | 1 | | | | | | | | |
| 22 | Crankcase Heater | | 4A5091-01 | 1 | | | | | | | | |
| 23 | Receiver | | 437596-01 | 1 | | | | | | | | |
| 24 | Thermostatic Expansion Valve | | 4A3493-01 | 1 | | | | | | | | |
| 25 | Thermostatic Expansion Valve Cover | | 4A1168-01 | 1 | | | | | | | | |
| 26 | Thermostatic Expansion Valve Bulb Holder | | 3A0112-01 | 1 | | | | | | | | |
| 27 | High-Pressure Switch | | 463180-04 | 1 | | | | | | | | |
| 28 | Discharge Line Coupling | | 434072-01 | 1 | | | | | | | | |
| 29 | Liquid Line Coupling | | 426554-01 | 1 | | | | | | | | |
| 30 | Drier | | 4A1338-01 | 1 | | | | | | | | |
| 31 | Heat Exchanger | | 3A7904G01 | 1 | | | | | | | | |

B. Icemaking Unit
FD-1002M_J-C
F-0



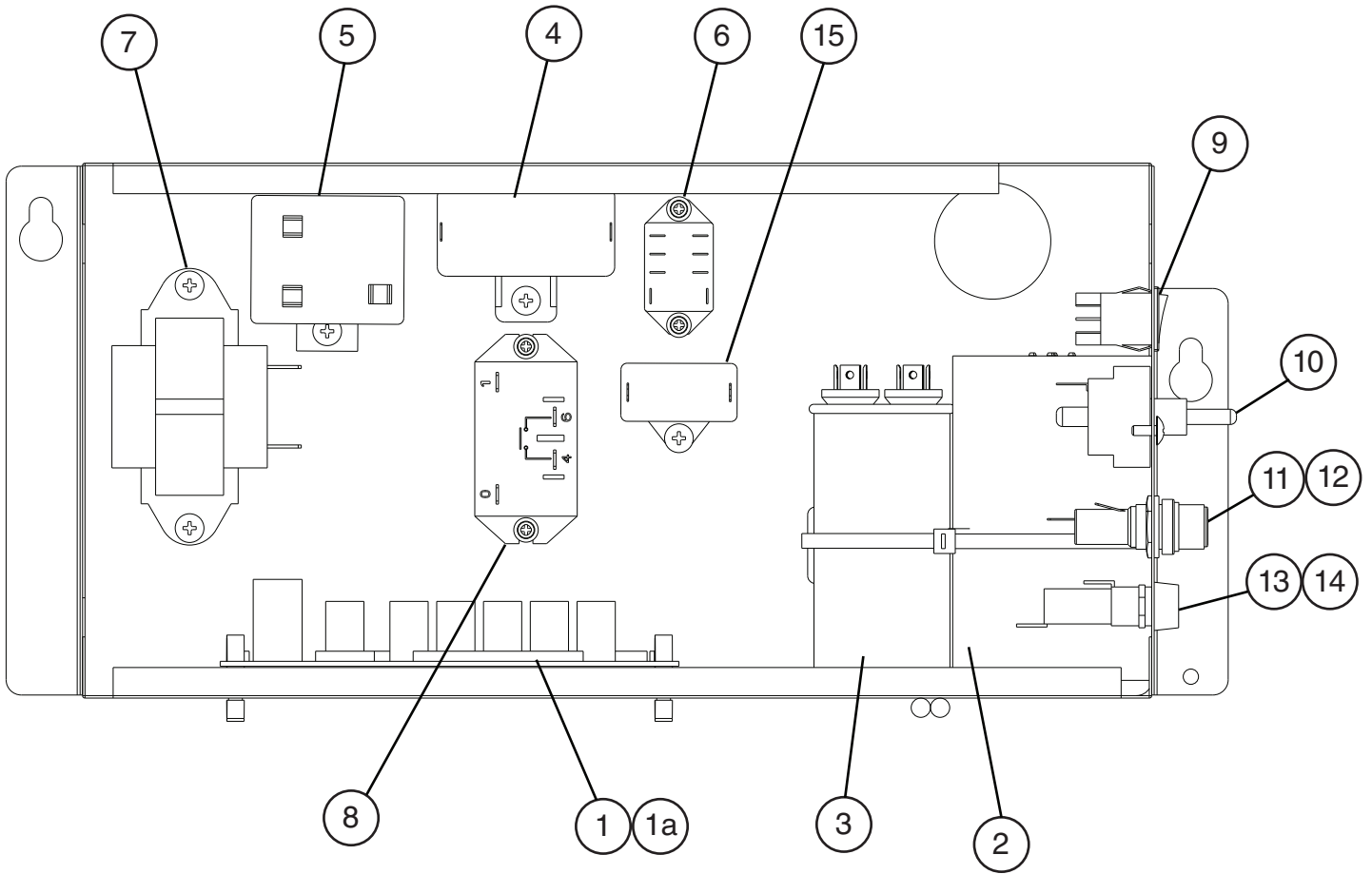
| Title: B. Icemaking Unit Model: FD-1002M_J-C | | | | | | | | | | | | |
|--|-----------------------|--------------------------|-------------|-----------------|--|--|--|--|--|--|--|--|
| Index No. | Description | Material or Model Number | Part Number | Required Number | | | | | | | | |
| | | | | F-0 | | | | | | | | |
| 1 | Gear Motor | | 4A2007-01 | 1 | | | | | | | | |
| 2 | Gear Motor Barrier | | 4A4029-01 | 1 | | | | | | | | |
| 2a | Truss Head Screw | 4x8, SS | 7C32-0408 | 2 | | | | | | | | |
| 2b | Rubber Washer | | 4A5268-01 | 2 | | | | | | | | |
| 3 | Spline Coupling | | 414137-01 | 1 | | | | | | | | |
| 4 | Housing | | 2A1977G01 | 1 | | | | | | | | |
| 4a | Hex Head Bolt | 8x30, SS | 7B02-0830 | 6 | | | | | | | | |
| 4b | Plain Washer | | 7W22-0800 | 6 | | | | | | | | |
| 4c | Split Lock Washer | | 7L22-0800 | 6 | | | | | | | | |
| 5 | O-Ring | | 4A4755-02 | 1 | | | | | | | | |
| 6 | Mechanical Seal | | 432492-01 | 1 | | | | | | | | |
| 7 | Evaporator | | 2A7209G01 | 1 | | | | | | | | |
| 7a | Socket Head Cap Screw | | 7S12-0812 | 4 | | | | | | | | |
| 7b | Split Lock Washer | | 7L22-0800 | 4 | | | | | | | | |
| 8 | Drip Pan | | 2A7187-01 | 1 | | | | | | | | |
| 9 | Flange | | 352713-01 | 1 | | | | | | | | |
| 10 | Auger | | 120863G02 | 1 | | | | | | | | |
| 11 | Extruding Head | | 3A2176G01 | 1 | | | | | | | | |
| 11a | Seal Bolt | | P01768-02 | 3 | | | | | | | | |
| 12 | Cutter | | 427183G01 | 1 | | | | | | | | |
| 13 | Evaporator Heater | | 4A2292-01 | 1 | | | | | | | | |

C. Water Circuit
FD-1002M_J-C
F-0



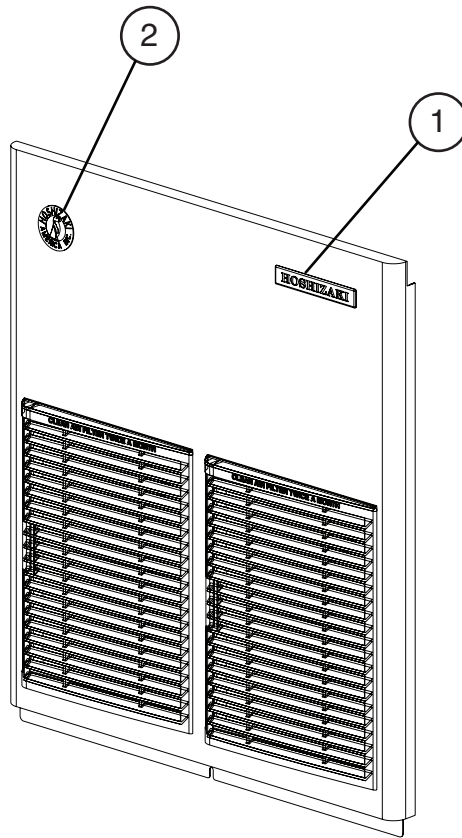
| Title: C. Water Circuit Model: FD-1002M_J-C | | | | | | | | | | | | |
|---|---------------------|--------------------------|-------------|-----------------|--|--|--|--|--|--|--|--|
| Index No. | Description | Material or Model Number | Part Number | Required Number | | | | | | | | |
| | | | | F-0 | | | | | | | | |
| 1 | Water Supply Pipe | | 4A4026G02 | 1 | | | | | | | | |
| 2 | Washer | | 413854-03 | 1 | | | | | | | | |
| 3 | Inlet Water Valve | | 4A5309-01 | 1 | | | | | | | | |
| 4 | Reservoir | | 2A0753-01 | 1 | | | | | | | | |
| 5 | Reservoir Separator | | 4A1255-01 | 1 | | | | | | | | |
| 6 | Float Switch | | 435490-01 | 1 | | | | | | | | |
| 7 | Reservoir Cover | | 214810-01 | 1 | | | | | | | | |
| 8 | Drain Pan | | 323765G02 | 1 | | | | | | | | |
| 9 | Reservoir Inlet | | 4A0869-01 | 1 | | | | | | | | |
| 10 | Drain Valve | | 4A2772-02 | 1 | | | | | | | | |
| 11 | Drain Fitting | | 4A5528-01 | 1 | | | | | | | | |
| 12 | Vinyl Hose | L=405 mm | 7725-1923 | 1 | | | | | | | | |
| 13 | Silicone Hose | L=185 mm | 773013896 | 1 | | | | | | | | |
| 14 | Vinyl Hose | L=460 mm | 4A0658L01 | 1 | | | | | | | | |
| 15 | Drain Hose | | 3A8198-01 | 1 | | | | | | | | |
| 16 | Vinyl Hose | L=30 mm | 7725-1923 | 1 | | | | | | | | |
| 16 | Reservoir Hose | | 4A1165-06 | 1 | | | | | | | | |
| 17 | Elbow | | 4A5624-01 | 1 | | | | | | | | |
| Hose Clamps | | | | | | | | | | | | |
| | Hose Clamp | 26-30 mm | 4A2017-02 | 1 | | | | | | | | |
| | Hose Clamp | 17-20 mm | 4A2017-05 | 1 | | | | | | | | |
| | Hose Clamp | 19-22 mm | 4A2017-06 | 1 | | | | | | | | |
| | Hose Clamp | 14-15 mm | 4A2017-08 | 1 | | | | | | | | |

D. Control Box Assembly
FD-1002M_J-C
F-0



| Title: D. Control Box Assembly Model: FD-1002M_J-C | | | | | | | | | | | | |
|--|--------------------------|--|-------------|-----------------|--|--|--|--|--|--|--|--|
| Index No. | Description | Material or Model Number | Part Number | Required Number | | | | | | | | |
| | | | | F-0 | | | | | | | | |
| 1 | "F-C" Control Board | | 2A8054-01 | 1 | | | | | | | | |
| 1a | Control Board Support | | 4A0336-03 | 4 | | | | | | | | |
| 2 | Start Capacitor | 340-408MFD, 250VAC | 3A0076-24 | 1 | | | | | | | | |
| 3 | Run Capacitor | 40MFD, 370VAC | 3A2005-13 | 1 | | | | | | | | |
| 4 | Gear Motor Capacitor | 24MFD, 250VAC | 4A2273-01 | 1 | | | | | | | | |
| 5 | Start Relay | | 4A1107-22 | 1 | | | | | | | | |
| 6 | Compressor Control Relay | | 406132-07 | 1 | | | | | | | | |
| 7 | Control Transformer | | 4A0557-01 | 1 | | | | | | | | |
| 8 | Compressor Relay | | 4A3140-01 | 1 | | | | | | | | |
| 9 | Control Switch | | 4A0558-01 | 1 | | | | | | | | |
| 10 | Power Switch | | 4A2332-01 | 1 | | | | | | | | |
| 11 | Fuse Holder (Control) | | 4A5443-01 | 1 | | | | | | | | |
| 11 | Fuse (Control) | AGC-1A, 250VAC | 4A0893-01 | 1 | | | | | | | | |
| 13 | Fuse Holder (Gear Motor) | | 4A3449-02 | 1 | | | | | | | | |
| 14 | Fuse (Gear Motor) | GMD-3A, 250VAC Slow Blow | 4A0893-06 | 1 | | | | | | | | |
| 15 | Fan Motor Capacitor | FD-1002MAJ-C 5MFD, 250VAC | 443192-02 | 1 | | | | | | | | |

E. Accessories & Labels
FD-1002M_J-C
 F-0



| Title: E. Accessories & Labels Model: FD-1002M_J-C | | | | | | | | | | | | |
|---|------------------------|--------------------------|-------------|-----------------|--|--|--|--|--|--|--|--|
| Index No. | Description | Material or Model Number | Part Number | Required Number | | | | | | | | |
| | | | | F-0 | | | | | | | | |
| 1 | Hoshizaki Emblem Label | | 4A0560-01 | 1 | | | | | | | | |
| 2 | Penguin Label | | 4A0526-01 | 1 | | | | | | | | |
| 3 | Universal Brace | | 4A0363-01 | 2 | | | | | | | | |
| 3a | Hex Bolt | | 7B02-0512 | 4 | | | | | | | | |