

Technical Bulletin

No. TB-0005A, Release Date 8/24/2020

Rattler® Bar Dispenser Fittings

When installing the Rattler® bar dispenser the use of the included inlet fittings is required as the dispenser is not compatible with older ICON inlet fittings. The Rattler® fittings have an outer flange that helps secure the fitting inside of the valve body.

Failure to use the correct fitting will result in leaking.

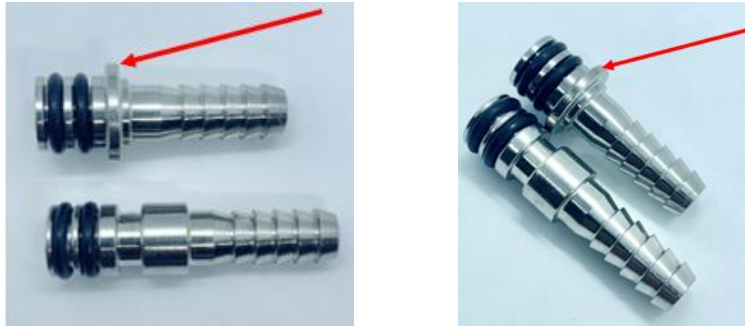
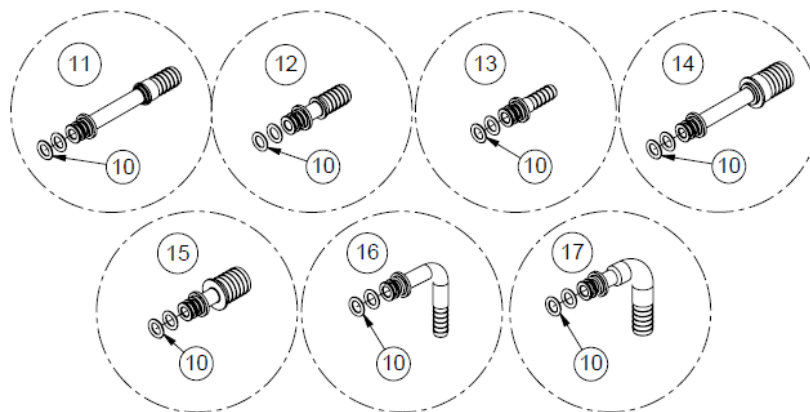


Figure 1 : 1/4" Straight Fitting Rattler® (TOP) ICON (BOTTOM)

If the bar dispenser installation requires different fittings than the 1/4" straight barb fittings provided, then one of the following Rattler® options should be used.



ITEM	SCHROEDER PN	DESCRIPTION
11	625-0065-SP	KIT, FITTING ASSY, 3/8 BARB x 2.70"L, W/FLANGE, 25/PK
12	625-0066-SP	KIT, FITTING ASSY, 3/8 BARB x 1.50"L, W/FLANGE, 25/PK
13	625-0067-SP	KIT, FITTING ASSY, 1/4 BARB x 1.25"L, W/FLANGE, 25/PK
14	625-0068-SP	KIT, FITTING ASSY, 1/2 BARB x 2.70"L, W/FLANGE, 25/PK
15	625-0069-SP	KIT, FITTING ASSY, 1/2 BARB x 1.50"L, W/FLANGE, 25/PK
16	625-0070-SP	KIT, FITTING ASSY, 1/4 BARB, ELBOW, W/FLANGE, 25/PK
17	625-0071-SP	KIT, FITTING ASSY, 3/8 BARB, ELBOW, W/FLANGE, 25/PK