

Sensation 30     Sensation 44

## Sensation 44



## Accessories and Options

### Sensation 30:

Medallion Merchandiser

### Sensation 44:

LCD Merchandiser

Stainless Steel or Matte Black exterior

Flavor Shot Module with up to 8 bonus flavors

Dual Ice Divider

Extended Splashplate

Certified by these agencies:



### CUSTOMER SERVICE

Should you require more information about our products, please do not hesitate to contact our customer service team at [custserv@lancerworldwide.com](mailto:custserv@lancerworldwide.com).

With the **Sensation** 44 you can offer your customers multiple beverage options including the ability to dispense cubed or chewable ice, 12 different flavor options and up to eight bonus shots. Available in stainless steel or matte black with an option to have enhanced connectivity with a 32" diagonal video merchandiser.

## Features

- Dispenses cubelet ice without a change to the equipment
- High capacity drip tray reduces clean up and avoids safety issues due to spills
- Serviceable parts are located on the front of the unit for easy access
- Durable hex drive ice agitation system for trouble-free operation and long service life
- Multiple valve options available for self-serve applications
- Portion control valves available to control beverage costs on Sensation 30
- Stainless steel construction exterior and interior
- High capacity ice storage bin
- Key lock switch



### WARRANTY

For warranty specifics by product, contact your Lancer Sales Representative. Equipment design and/or specifications are subject to change without notice.

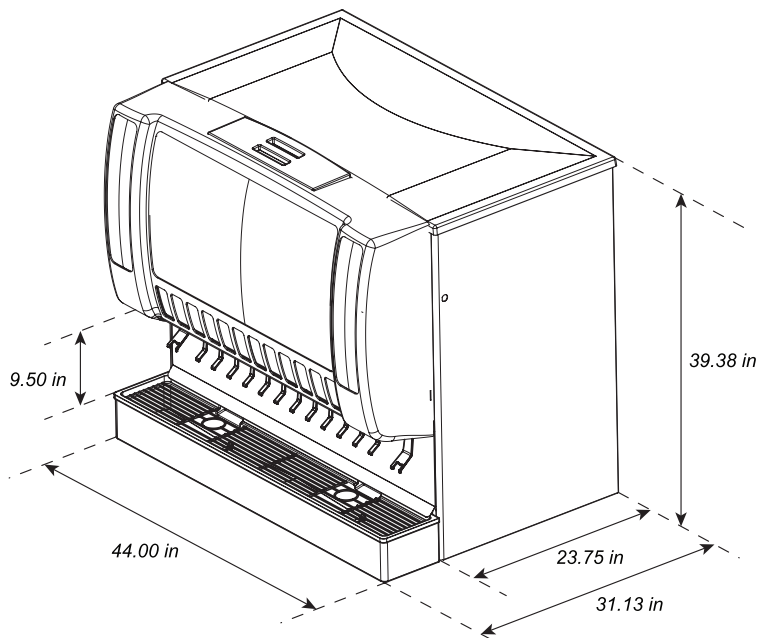
Sensation Cold Carbonation Ice Beverage Dispensers

For more Information visit [lancerworldwide.com](http://lancerworldwide.com) or call 1-888-846-6729

Sensation 30    Sensation 44

Sensation Cold Carbonation Ice Beverage Dispensers

**Sensation 44**



### Distinctive Design

- No more drip trays full of ice, ice on the floor, wet floor signs, snowballing, ice bridging and unnecessary service calls!
- Dispenses any kind of extruded ice
- Cold carbonation for crisp, fresh tasting beverages.
- Environmentally friendly LED lighting improves presentation
- Plumbing access front and rear for installation flexibility

### Dimensions

Sensation 30 - 37.25" H x 30" W x 31" D  
(946 mm H x 762 mm W x 787 mm D)

Sensation 44 - 39.375" H x 44" W x 31" D  
(1000 mm H x 1118 mm W x 787 mm D)

### Space Required

Sensation 30 - Width: 32" (813 mm)  
Depth: 39" (991 mm)  
Height: Allow sufficient clearance for manually filling with ice or refer to ice maker recommendation for top clearance.

Sensation 44 - Width: 46" (1168.4 mm)  
Depth: 40" (1016 mm)  
Height: Allow sufficient clearance for manually filling with ice or refer to ice maker recommendation for top clearance.

### Weight

Sensation 30 - With ice: 525 lbs (238 kg)  
Shipping: 335 lbs (152 kg)

Sensation 44 - With ice: 745 lbs (338 kg)  
Shipping: 585 lbs (265 kg)

### Ice

Sensation 30 - Capacity: 250 lbs (113 kg)  
Dispensable: 185 lbs (84 kg)  
Accepts 30" and 22" wide ice makers  
(adapters may be required)

Sensation 44 - Capacity: 312 lbs (142 kg)  
Dispensable: 255 lbs (116 kg)  
Accepts 30" and 22" and 44" wide ice makers  
(adapters may be required)

### Electrical

Sensation 30 - 220-240V, 50/60 Hz, 1.5Amps  
Sensation 44 - 220-240V, 50/60 Hz, 3Amps

### Fittings for both units

Syrup & Soda Inlets: 3/8" (9.5 mm) male barb

### Valves

Sensation 30 - LEV® or VersaPour  
Sensation 44 - LEV® or VersaPour

### Flex Manifold Configuration

Sensation 30 - 8 Valve: 3-1-1-3  
Sensation 44 - 12 Valve: 3-1-1-1-1-1-3

For more Information visit [lancerworldwide.com](http://lancerworldwide.com) or call 1-888-846-6729