

ICDI 23300 8vl ICDI 23300 10vl

ICDI 23300 8vl



The **ICDI 23300 High Performance** dispenser utilizes advanced engineering simulations for the coldest drinks in the industry. It exceeds all industry standards for draw capacity with flow rates up to 4.5 oz. per second.

Features

- Easy serviceability/cleanability
- Stainless steel construction with sealed-in cold plate
- Ice bin insulated with CFC free structural foam
- LEV® valves standard, other valves available upon request
- Key lock switch

Accessories and Options

Conversion Stand - 23" x 30"

Marquee

Merchandiser

Splash Guards

Water Spigot

Power Supply

Certified by these agencies:



CUSTOMER SERVICE

Should you require more information about our products, please do not hesitate to contact our customer service team at custserv@lancerworldwide.com.



WARRANTY

For warranty specifics by product, contact your Lancer™ Sales Representative. Equipment design and/or specifications are subject to change without notice.

ICDI 23300 High Performance Ice Cooled Drop In Dispenser

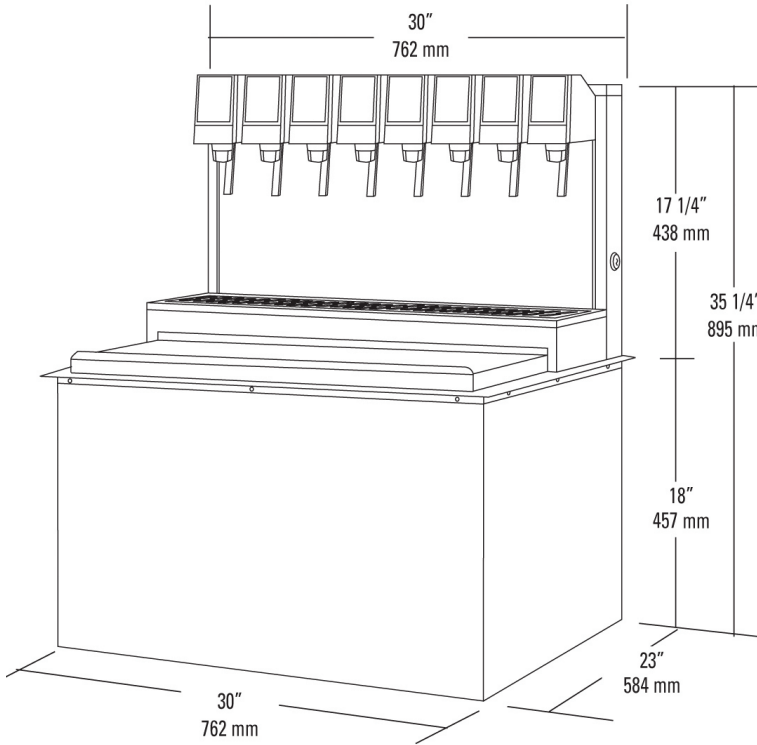
For more information visit lancerworldwide.com or call 1-800-729-1500

6655 Lancer Boulevard • San Antonio, TX 78219 • 210-310-7000 • Fax: 210-310-7250 • © 2021 Lancer™ Worldwide • ICDI 23300-HP 03/21

ICDI 23300 8vl ICDI 23300 10vl

ICDI 23300 High Performance Ice Cooled Drop In Dispenser

ICDI 23300 8vl



Distinctive Design

Meets or exceeds industry standards for performance

ICDI 23300 - 8 valves (3-1-1-3)
10 valves (3-1-2-1-3)

Dimensions

35.25" H x 30" W x 23" D
(895 mm H x 762 mm W x 584 mm D)

Counter Cut-Out

30.25" W x 23.25" D
(768 mm W x 591 mm D)

Weight

Operating: 370 lbs (168 kg)
Shipping: 300 lbs (136 kg)

Ice Bank Weight

130 lbs (59 kg)

Electrical

24V/60Hz

Fittings

Soda inlets: 3/8" (9.5 mm) male barb
Syrup inlets: 3/8" (9.5 mm) male barb

For more information visit lancerworldwide.com or call 1-800-729-1500