

IBD 4500-60

LANCER®



Ice Beverage Dispenser

The IBD is Lancer's #1 selling self-serve dispenser. Hard plumbed syrup and water lines deliver excellent icy cold drinks. Versatile valve configurations and a portion control option allow for easy beverage cost monitoring. Topped with a compelling wraparound display, the IBD is a favorite of our customers.

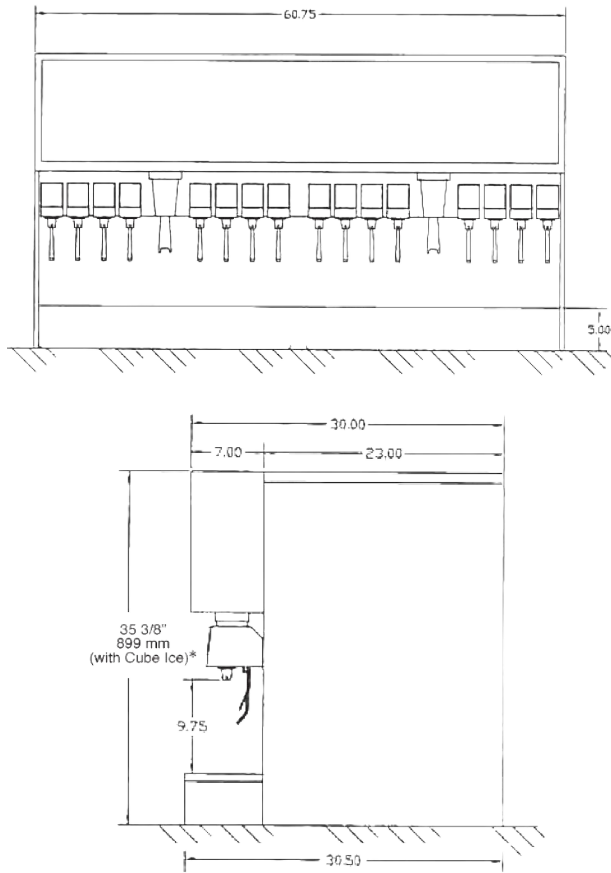


IBD 4500 60" Ice Beverage Dispenser

- > Illuminated interchangeable front graphics, 2 standard fluorescent 15 watt light bulbs
- > High capacity ice storage bin
- > High capacity drip tray to handle customer ice and beverage overflow helps avoid safety hazards and drink station cleanup from spills
- > Unique hex drive ice agitation and dispense drive system for trouble free operation and long service life
- > Multiple valve configurations available for self-serve and portion control operation to control beverage costs
- > Stainless steel construction; exterior and interior
- > Fully insulated storage bin and drip tray controls condensation and helps avoid moisture related safety hazards
- > Front and rear plumbing access for installation flexibility
- > **Dispensing Solutions that *Pour More***

LANCER®

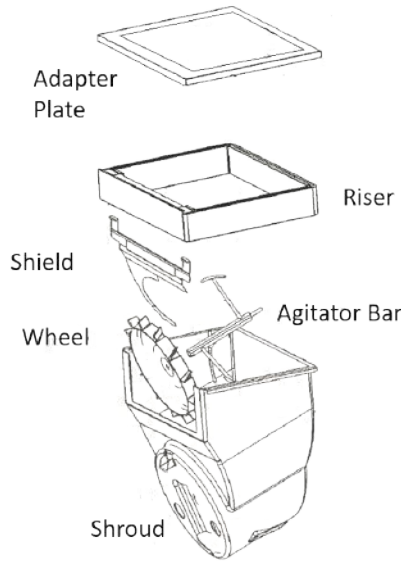
lancercorp.com



*** For pellet/cubelet ice maximum height is 40 5/8" (1032 mm)**

ICE MAKER COMPATIBILITY

- > Accepts 2- 30" wide ice makers (adapters required)
- > Variable automatic agitation timer
- > Pellet/Cubelet ice dispense capability, is available with an IBD conversion kit that requires a riser
- > Riser will increase the height of the IBD from 34 3/16" to 39 5/8"
- > The required adapter plate will add another 1"
- > When dispensing Pellet/Cubelet ice, an ice level bin control (bin stat) is required when using a riser, it must be set at a minimum 9" drop from the top of the ice bin.



Customer Service:

Should you require more information about our products, please do not hesitate to contact our customer service desk at custserv@lancercorp.com.

Warranty:

For warranty specifics by product, contact your Lancer Sales Representative. Equipment design and/or specifications are subject to change without notice.

Lancer Corp. 6655 Lancer Boulevard · San Antonio, TX 78219
210-310-7000 · 1-800-729-1500 · Fax: 210-310-7250



IBD 4500-60

SPECIFICATIONS

DIMENSIONS

Height: 35.375" (899 mm)
Height with riser 40.625" (1032 mm)
Width: 60.75" (1543 mm)
Depth: 30.5" (775 mm)

SPACE REQUIRED

Width: 62.75" (1594 mm)
Depth: 31.5" (800.1 mm)
Height: Allow sufficient clearance for manually filling with ice or refer to ice maker recommendation for top clearance.

ELECTRICAL

115V/60Hz, 6AMPS
230V/50Hz, 3AMPS

WEIGHT

With Ice: 760 lbs (345 kg)
Shipping: 460 lbs (209 kg)

ICE

Capacity: 500 lbs (227 kg)
Dispensable: 350 lbs (159 kg)

FITTINGS

Soda Inlets: 3/8" male barb
Syrup Inlets: 3/8" male barb

VALVE OPTIONS

LEV and other valves available upon request

FLEX MOLD CONFIGURATION

3-1-1-3-3-1-1-3

KEY LOCK SWITCH

Pour More

LANCER

lancercorp.com