

Delta 9100

High Performance Remote Recirculation System

The Lancer Delta 9100 CED Remote Recirculation system is a benchmark in the fountain dispensing market. Built to the quality standards that Lancer is known for, this compact unit utilizes cold carbonation and a stainless steel recirculating pump to provide optimum temperature product to a remote tower location. It is perfect for use with the Lancer Unicorn dispensing unit, or any tower with up to six valves.



BUILT IN COLD
CARBONATION



CFC FREE
REFRIGERANT



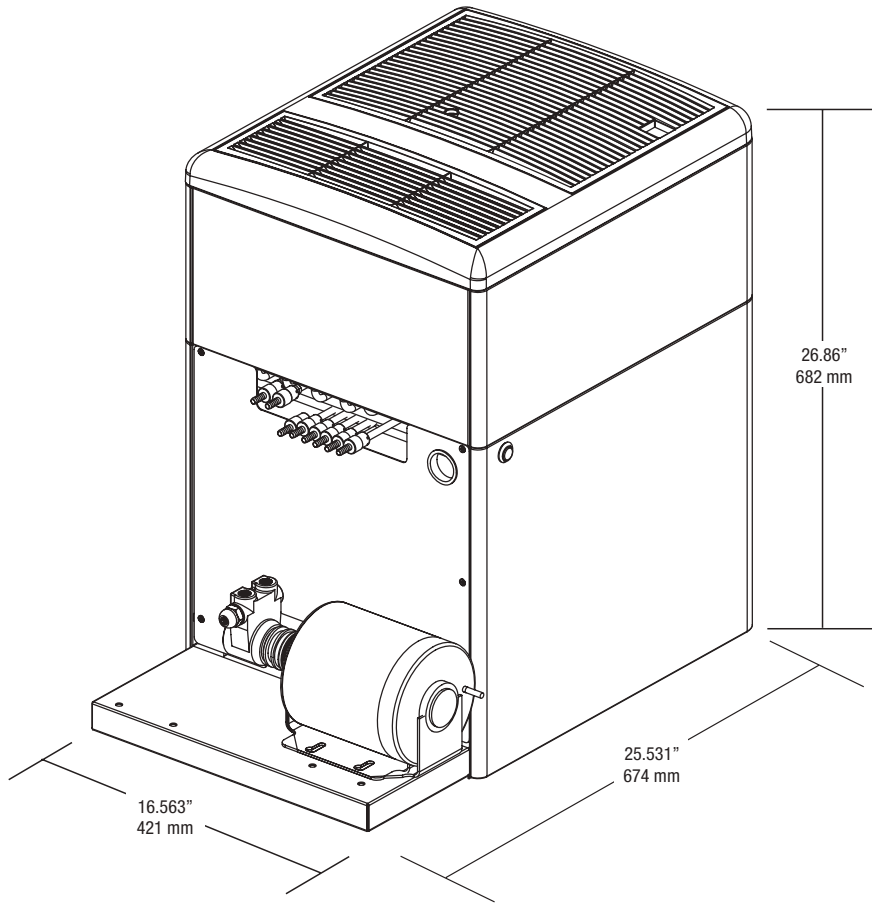
LANCER ELECTRONIC
ICE BANK CONTROL
(LLC)

Lancer Corp. 6655 Lancer Boulevard · San Antonio, TX 78219
210-310-7000 · 1-800-729-1500 · Fax: 210-310-7250 · lancercorp.com

LANCER®

LEADER IN BEVERAGE FLUIDICS

Delta 9100



Specifications:

DIMENSIONS

Height: (without legs) 26.86" (682 mm)
Width: 16.563" (421 mm)
Depth: 25.531" (674 mm)

WEIGHT

Empty: 156 lbs (70.8kg)
Operating: 220 lbs (98.8 kg)
Shipping: 170 lbs (77.1 kg)

ELECTRICAL

115V/60hz
230V/50hz

WATER REQUIREMENTS

Minimum flowing pressure of 25 PSIG
(1.76 kg/cm², 1.72 BAR)

Maximum static pressure of 50 PSIG
(3.52 kg/cm², 3.45 BAR)

ICE BANK WEIGHT

22-24 lbs (10kg - 11.8kg)

CARBON DIOXIDE (CO₂) REQUIREMENTS

Minimum pressure of 70 PSIG
(4.92 kg/cm², 4.83 BAR)

Maximum pressure of 80 PSIG
(5.62 kg/cm², 5.52 BAR)

WARNING

If water source exceeds 50 PSIG (3.52 KG/CM²), a recommended water regulator assembly (PN 18-0253) must be used to limit water pressure to 50 PSIG (3.52 KG/CM²).

Failure to use regulator will result in improper performance of dispenser.

Certifications:



Customer Service:

Should you require more information about our products, please do not hesitate to contact our customer service desk at custserv@lancercorp.com.

Lancer Corp. 6655 Lancer Boulevard · San Antonio, TX 78219
210-310-7000 · 1-800-729-1500 · Fax: 210-310-7250 · lancercorp.com



Scan for more
information

Warranty:

For warranty specifics by product, contact your Lancer Sales Representative. Equipment design and/or specifications are subject to change without notice.

LANCER®

LEADER IN BEVERAGE FLUIDICS