



Above Counter Ice Beverage Dispenser

The Bevariety™ ACIB is designed to offer limitless variety and unsurpassed drink quality all on one dispenser. Reliability and easy maintenance are hallmarks of the Bevariety™ ACIB.

Bevariety 30" Above Counter Ice Beverage Dispenser

- > Multi Valve Unit (MVU) offers 12 brand capability in 30" counter foot print
- > Multi flavor nozzle design provides enhanced pour performance
- > Flexibility between multi flavor and LEV valve options (two valve positions)
- > 2 brand ambient product capability
- > Illuminated easily interchangeable merchandiser
- > Large capacity removable drip tray and cup rest
- > 2 LEV positions and 2 MVU positions have carb/non-carb flexibility
- > Additional merchandising space for unique messaging on MVU
- > **Dispensing Solutions that *Pour More***



LANCER

lancercorp.com

Bevariety ACIB 30

SPECIFICATIONS

DIMENSIONS

Height: 35.5" (902 mm)
Width: 30" (762 mm)
Depth: 31" (787 mm)

SPACE REQUIRED

Width: 32" (813mm)
Depth: 32" (813mm)
Height: Allow sufficient clearance for manually filling with ice or refer to ice maker recommendations for top clearance.

ELECTRICAL

120V/60Hz, 2.25 AMPS

WEIGHT

Without Ice: 327 lbs (148 kg)
With Ice: 577 lbs (262 kg)
Shipping: 356 lbs (161 kg)

ICE

Capacity: 250 lbs (113 kg)
Dispensable: 175 lbs (79kg)

FITTINGS

Soda Inlets: 3/8" barb
Syrup Inlets: 3/8" barb

WATER

Filtered water 50 psi/min

VALVES

8 LEV Valve standard
6 LEV/2 MVU configuration option

OPTIONS

Extended splash plate
Legs 4" (102mm)

DRAW PERFORMANCE

Number of Drinks Below 40°F (4.4°C)

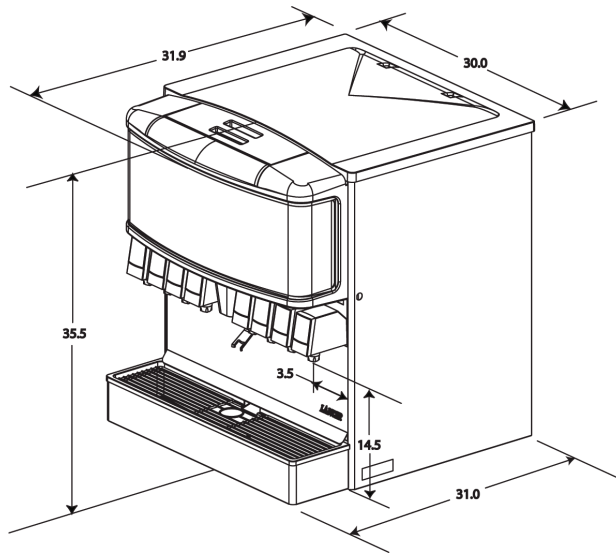
75°F (24°C) Ambient Temperature

12 drinks per min 12oz (350ml)

90°F (32°C) Ambient Temperature

8 drinks per min 12oz (350ml)

(Units can supply drinks under 40°F (4.4°C) at rated draw performance continuously as long as ice is kept on cold plate.)



Customer Service:

Should you require more information about our products, please do not hesitate to contact our customer service desk at custserv@lancercorp.com.

Warranty:

For warranty specifics by product, contact your Lancer Sales Representative. Equipment design and/or specifications are subject to change without notice.

Lancer Corp. 6655 Lancer Boulevard · San Antonio, TX 78219

210-310-7000 · 1-800-729-1500 · Fax: 210-310-7250

Pour More

LANCER

lancercorp.com

