

# **Ice-O-Matic**®

Ice. Pure and Simple™

## **SERVICE PARTS MANUAL PEARL ICE / WATER DISPENSER MODEL- GEMD270A**



14-1034

Date 5/26/16

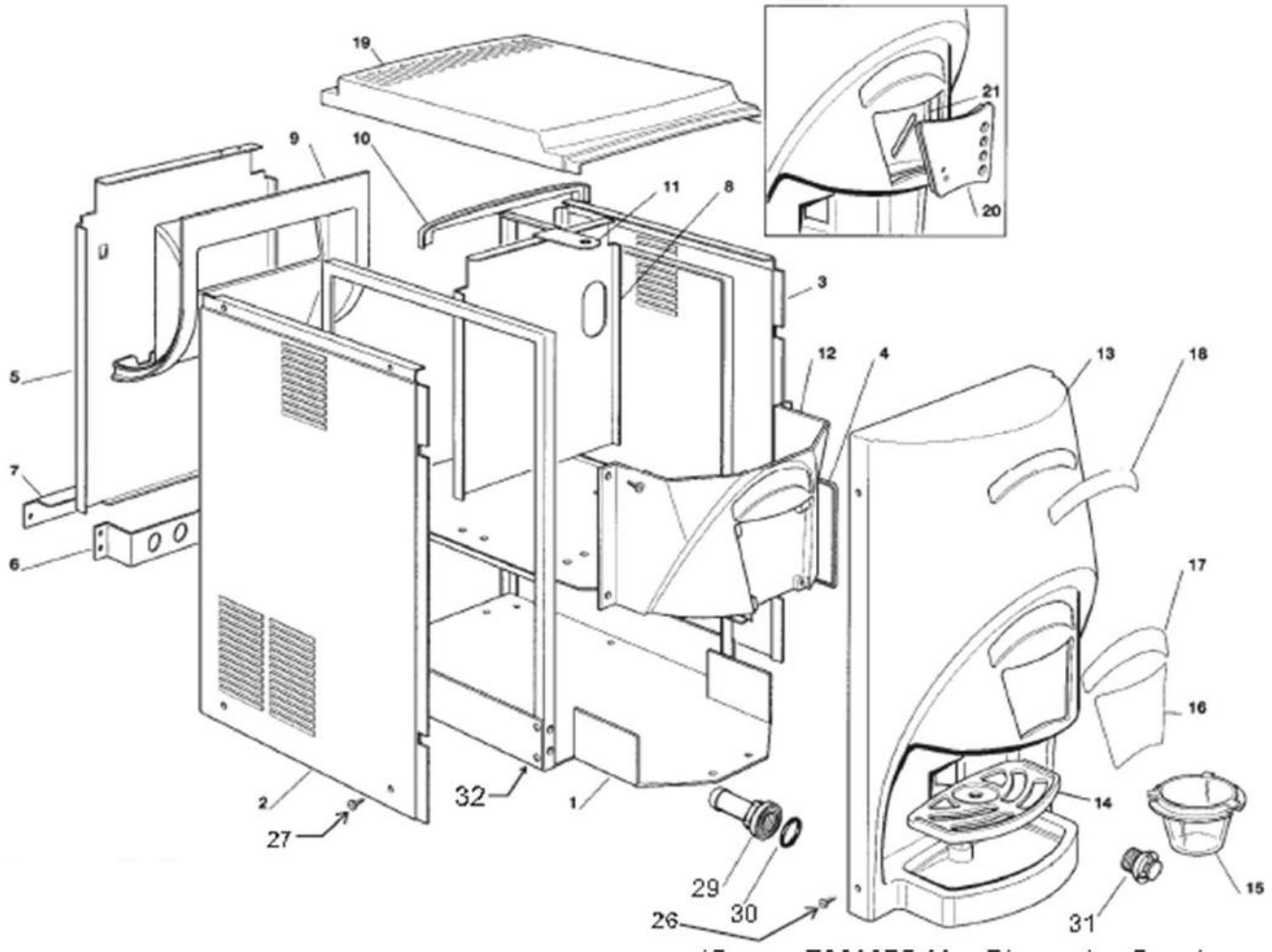


This is a list of Service Parts for the GEMD270A Pearl Ice/Water Dispenser.

Always have the Model Number and Serial Number available when identifying a Part Number as changes do occur and the change may reference the Model Number and Serial Number

<b>Cabinet</b>	<b>Page 2</b>
<b>Condensing System</b>	<b>Page 3</b>
<b>Water and Dispensing</b>	<b>Page 4 - Page 5</b>
<b>Auger Drive and Evaporator</b>	<b>Page 6 - Page 7</b>
<b>Control System</b>	<b>Page 8</b>
<b>Wiring Diagram - To June 2010</b>	<b>Page 9</b>
<b>Wiring Diagram - June 2010 and Later</b>	<b>Page 10</b>
<b>Wiring Diagram - From Serial Number - 1311128010584</b>	<b>Page 11</b>

Cabinet

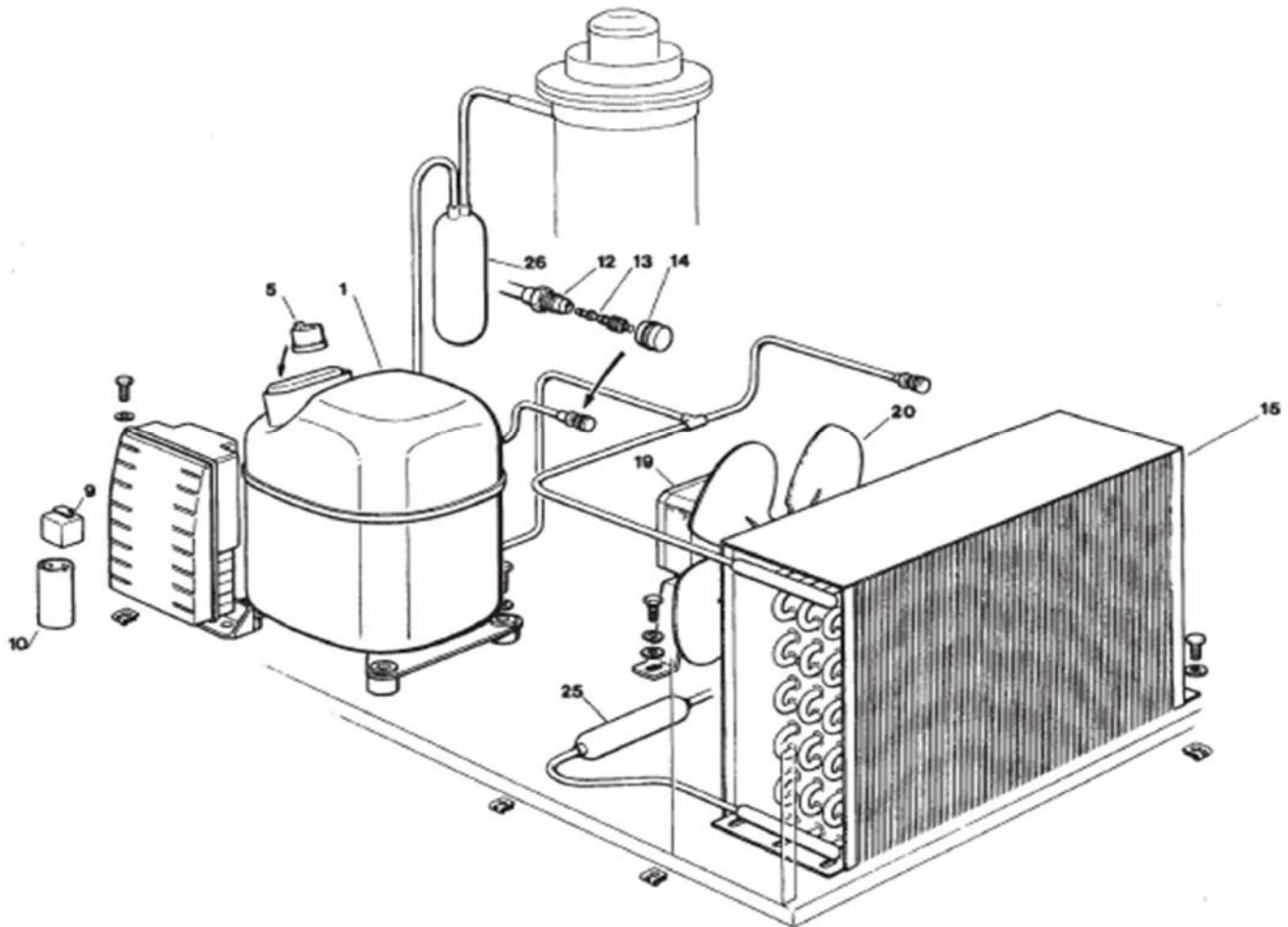


DU52616

Item No.	Part Number	Description	Item No.	Part Number	Description
1	1011357-136	Foam Pad	16	1011357-138	Label - Ice & Water Selection
2	1011357-112	Left Side Panel	17	1011357-83	Label - Ice & Water
3	1011357-113	Right Side Panel	18	1011357-139	Ice-O-Matic Label
4	1011357-114	Right PCB Service Panel	19	1011357-133	Top Panel
5	1011357-108	Rear Panel	20	1011357-140	PCB Cover
6	1011357-107	Metal Bracket for Fitting	21	1011357-101	PCB Housing
7	1011357-109	Cover for Fitting Bracket	26	1011357-25	Screw
8	1011357-106	Metal Divider		1011357-78	Cap for Screw
9	1011357-93	Condenser Shroud		1011357-79	Washer for Screw
10	1011357-96	Plastic Bracket	27	1011357-26	Side Panel Screw
11	1011357-110	Ice Spout Bracket	28	1011357-27	Back Panel Screw
12	1011357-95	Dispense Board Frame	29	1011357-87	Drain Fitting
13	1011357-162	Front Panel- <b>No Labels</b>	30	1011337-34	O-Ring
14	1011357-137	Grill, Sink	31	1011337-32	Drain Top
15	1011357-97	Dispensing Spout	32	1011357-136	Foam Pad Under Base

\*Units Manufactured Prior to Serial Number 0508 Will Require The Front and Top Panel Kit PN 1011357-173

Condensing System



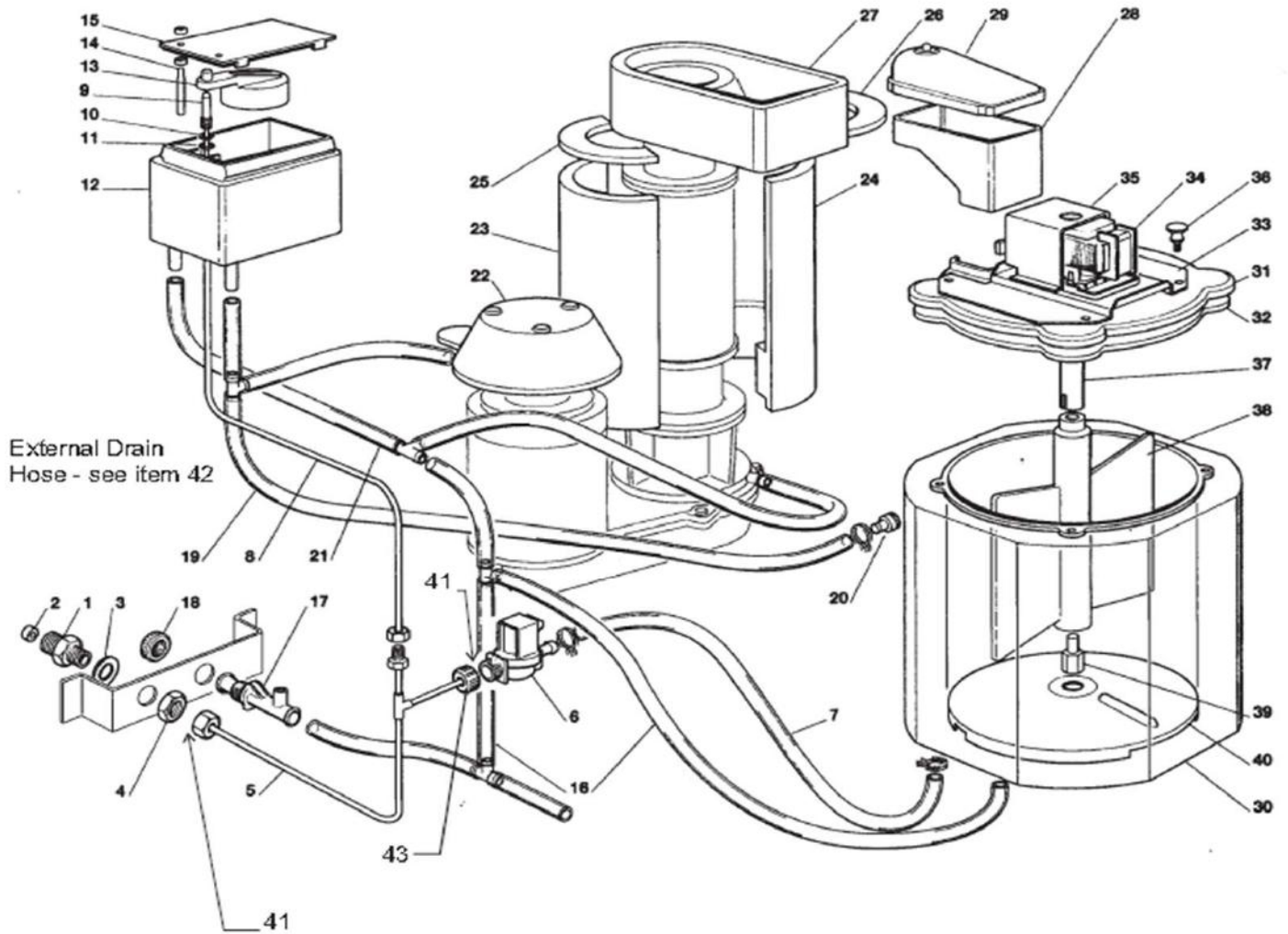
FS10 2014

Item Number	Part Number	Description
1	1011357-105	Compressor Assembly*
1	1011357-164	Compressor Assembly- From Serial Number 13111280010584**
5	1011357-142	Protector *
5	1011357-165	Protector- From Serial Number 13111280010584**
9	1011357-33	Start Relay*
9	1011357-166	Start Relay-From Serial Number 13111280010584**
10	1011357-35	Start Capacitor*
10	1011357-167	Start Capacitor-From Serial Number 13111280010584**
12	1011357-67	Valve Body
13	1011357-103	Valve Core
14	1011357-65	Valve Cap
15	1011357-44	Air Cooled Condenser
19	1011357-42	Fan Motor
20	1011357-43	Fan Blade
21	1011357-169	Fan Motor Bracket
25	1011357-49	Drier
26	1011357-121	Suction Line/Accumulator/Cap Tube *
26	1011357-170	Suction Line/Accumulator/Cap Tube - From Serial Number 13111280010584**

\*Red=Units Manufactured Prior to and including Serial Number 13111280010583

\*\*Green=Units Manufactured from Serial Number 13111280010584

Water and Dispensing

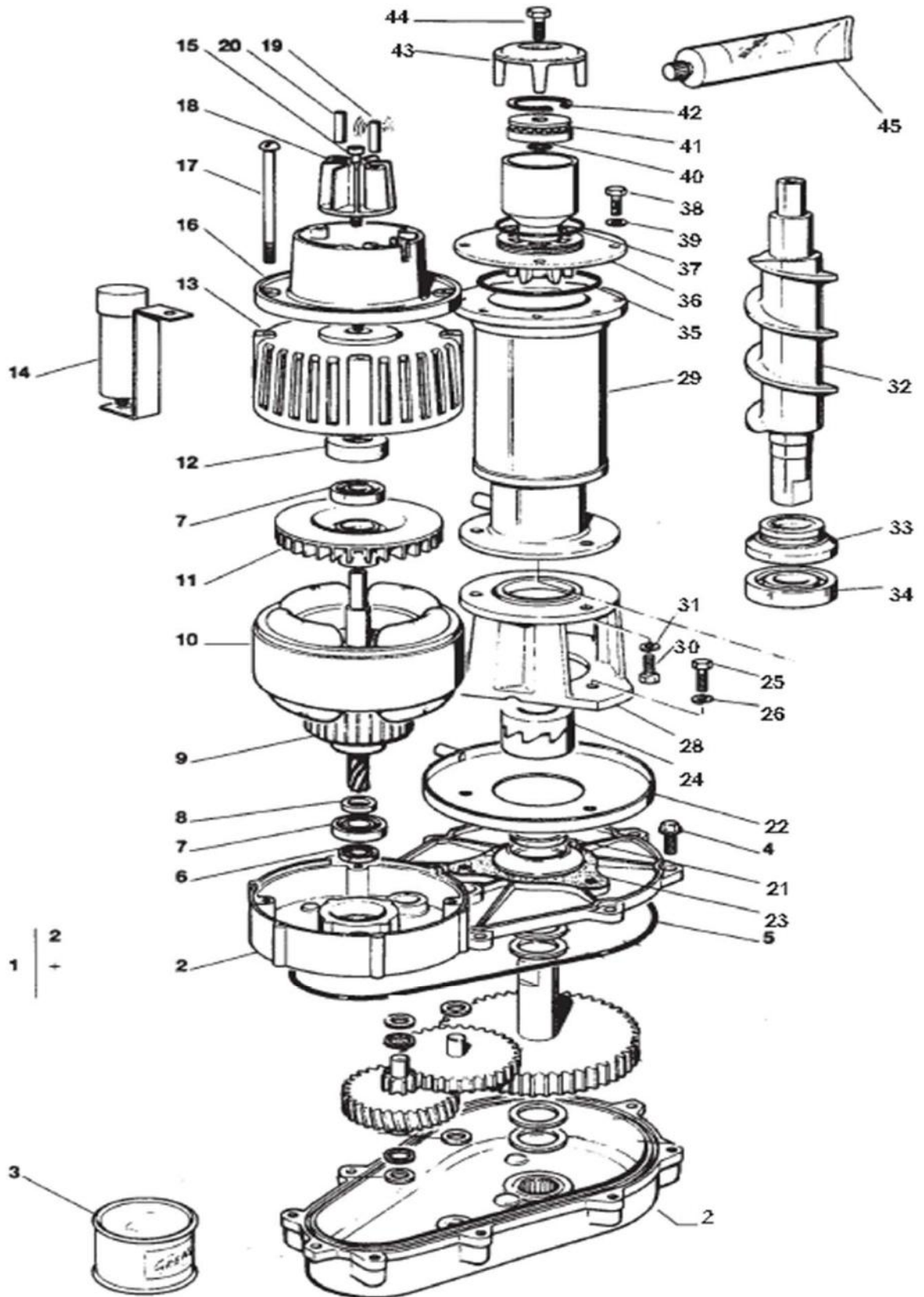


**Water and Dispensing**

D52616

Item No.	Part Number	Description	Item No.	Part Number	Description
1	<a href="#">1011357-116</a>	Water Inlet Fitting	25	<a href="#">1011357-73</a>	Insulation
2	<a href="#">1011357-63</a>	Strainer	26	<a href="#">1011357-73</a>	Insulation
3	<a href="#">1011357-13</a>	Fiber Washer	27	<a href="#">1011357-72</a>	Spout Insulation
4	<a href="#">1011357-14</a>	Nut	28	<a href="#">1011357-98</a>	Ice Spout
5	<b>No PN</b>	Copper Water Inlet Tube	29	<a href="#">1011357-145</a>	Ice Spout Cover
6	<a href="#">1011357-143</a>	Water Inlet Valve	30	<a href="#">1011357-131</a>	Storage Bin
7	<a href="#">1011357-171</a>	Water Hose, 4 required	31	<a href="#">1011357-81</a>	Insulation, Storage Bin Cover
8	<b>No PN</b>	Copper Water Inlet Tube	32	<a href="#">1011357-92</a>	Cover, Storage Bin
9	<a href="#">1011357-119</a>	Nozzle	33	<a href="#">1011357-130</a>	Bracket, Dispensing Motor
10	<a href="#">1011357-24</a>	Clip Ring	34	<a href="#">1011357-11</a>	Dispensing Motor
11	<a href="#">1011357-61</a>	O-Ring	35	<a href="#">1011357-111</a>	Cover, Dispensing Motor
12	<a href="#">1011357-124</a>	Water Reservoir Assembly	36	1011357-04	Screw
13	<a href="#">1011357-91</a>	Float Valve Assembly	37	<a href="#">1011357-03</a>	Shaft
14	<a href="#">1011357-115</a>	Water Level Metal Pin	38	<a href="#">1011357-146</a>	Ice Agitator
15	<a href="#">1011357-89</a>	Water Reservoir Cover	39	<a href="#">1011357-02</a>	Pin, Vane
16	<a href="#">1011357-30</a>	Plastic Tube	40	<a href="#">1011357-147</a>	Bin Bottom
17	<a href="#">1011337-38</a>	Water Drain Fitting	41	<a href="#">1011357-57</a>	Rubber Washer
18	<a href="#">1011357-90</a>	Plastic Ring Nut	42	<a href="#">1011357-148</a>	External Drain Hose
19	<a href="#">1011357-144</a>	Plastic Tube	43	<a href="#">1011357-149</a>	Nut
20	<a href="#">1011357-65</a>	Valve Cap			
	<a href="#">1011357-67</a>	Valve Body			
21	<a href="#">1011357-31</a>	Plastic Tube			
22	<a href="#">1011357-94</a>	Gear Motor Plastic Cover			
23	<a href="#">1011357-09</a>	Insulation			
24	<a href="#">1011357-09</a>	Insulation			

Auger Drive and Evaporator





**Auger Drive and Evaporator**

D52616

Item No.	Part Number	Description	Item No.	Part Number	Description
1	1011357-126	<b>Gear Reducer Assembly*</b>	26	1011357-20	Washer
2	1011357-01	<b>Gear Case Assembly**</b>	27	No Number	<b>Freezer Assembly***</b>
3	1011357-07	Gear Case Lubricant (1 Kg)	28	1011357-118	Aluminum Adapter
4	1011357-05	Screw	29	1011357-151	<b>Evaporator****</b>
5	1011357-150	O Ring	30	1011357-18	Screw
6	1011357-58	Grease Seal	31	1011357-20	Washer
7	1011357-85	Bearing	32	1011357-76	Auger
8	1011357-23	Thrust Washer	33	1011448-95	Water Seal
9	1011357-125	Rotor Assembly	34	1011357-153	Lower Bearing
10	1011357-37	Stator Assembly	35	1011357-55	O Ring
11	1011357-117	Fan Blade	36	1011357-154	Ice Breaker (Includes 36,37, 41,42)
12	1011357-60	Rubber Insert	37	1011357-54	O Ring
13	1011357-127	Drive Motor Cover	38	1011357-15	Screw
14	1011357-172	Capacitor	39	1011357-20	Washer
15	1011357-06	Screw	40	1011357-53	O Ring
16	1011357-70	Plastic Housing	41	1011357-104	<b>Top Bearing*****</b>
17	1011357-19	Screw	42	1011357-69	Clip Ring
18-19-20	1011357-123	Magneto Holder Assembly	43	1011357-74	Ice Sweep
21	1011357-51	Grease Seal	44	1011357-16	Screw
22	1011357-168	Drip Tray	45	1011357-12	Water Proof Grease
23	1011357-56	Gasket			
24	1011357-08	Coupling			
25	1011357-17	Screw			

**\*\*\*NOT SOLD As An Assembly**

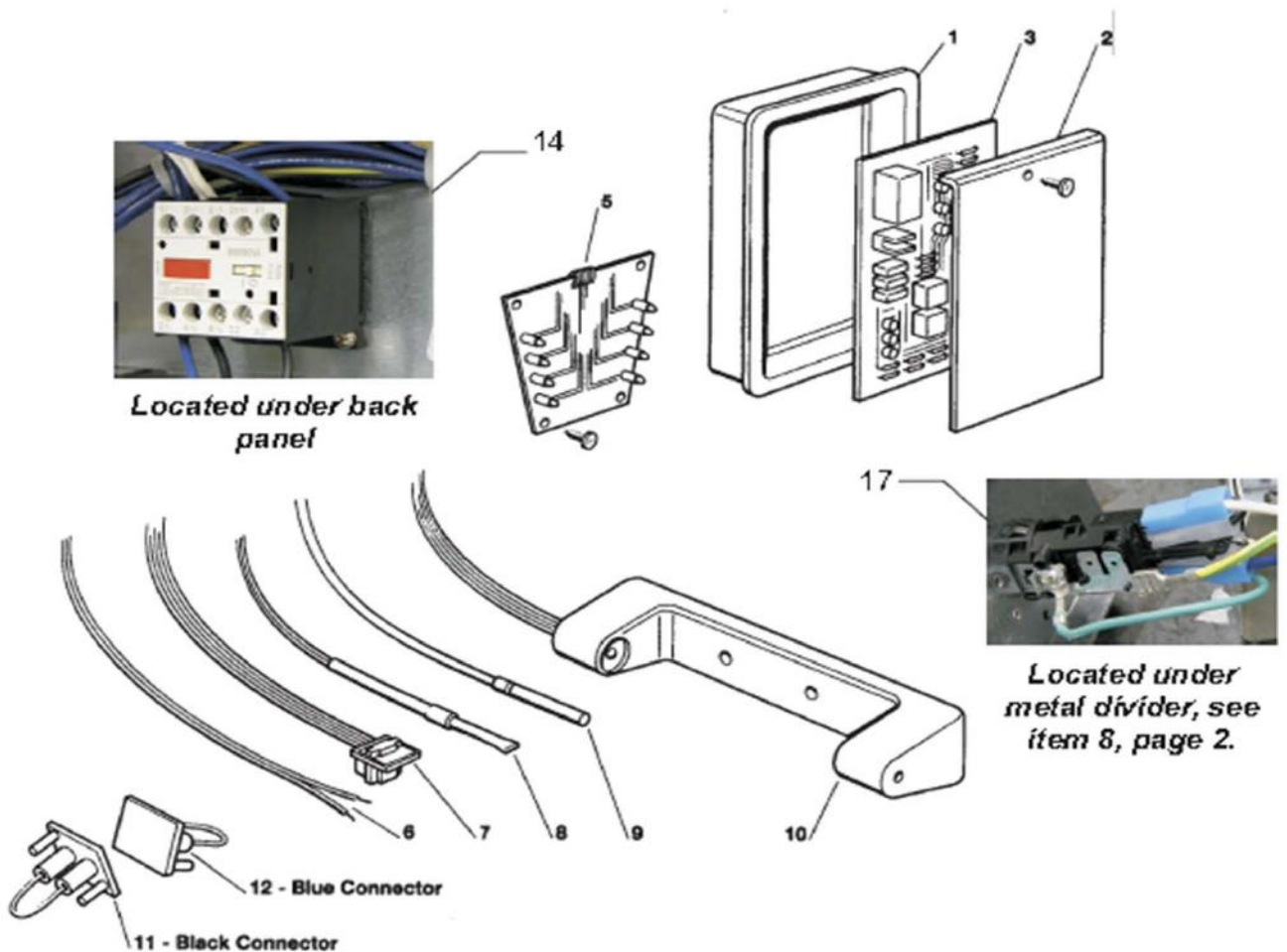
**\*\*\*\*Evaporator is NOT FOAMED, see PAGE 5, ITEM 24 for the Insulation Wrap**

**\*\*\*\*\*Top Bearing 1011357-182 is NLA**

**\*Gear Reducer Assembly INCLUDES Motor, DOES NOT Include Evaporator Components**

**\*\*Gear Case Assembly INCLUDES the EXTERNAL SHELL ONLY**

Control System



FS08 2015

Item No.	Part Number	Description	Item No.	Part Number	Description
1	1011357-155	Box Only	9	1011357-40	Evaporator Sensor*
2	1011357-156	Cover	9	1011357-178	Evaporator Sensor**
3	1011357-48	PC Board* (8 Pin Plug)	10	1011357-71	Ice Level Control
3	1011357-174	PC Board Kit**	11	1011357-47	Dispensing Sensor (Black)
3	1011357-175	PC Board** (7 Pin Plug)	12	1011357-46	Dispensing Sensor (Blue)
5	1011357-99	Dispensing Selector	13	1011357-159	Harness For Dispensing Sensor
6	1011357-41	Water Sensing Wire*	14	1011357-50	Contactors*
6	1011357-176	Water Sensing Wire**	15	1011357-160	Dispensing LED Board
7	1011357-39	Hall Effect Sensor	16	1011357-161	Dispensing Switch Panel
8	1011357-157	Condenser Sensor*	17	1011357-179	Cable Holder
8	1011357-177	Condenser Sensor**	18	1011357-183	Connector Adapter**

\*Red=Units Manufactured Prior to "LATE 2014"

Note: If the PC Board or any Components are NLA then use the "Retrofit Kit"

\*\*Green=Units Manufactured from "LATE 2014"

Note: Item 1011357-174 PC Board "Retrofit Kit" includes:

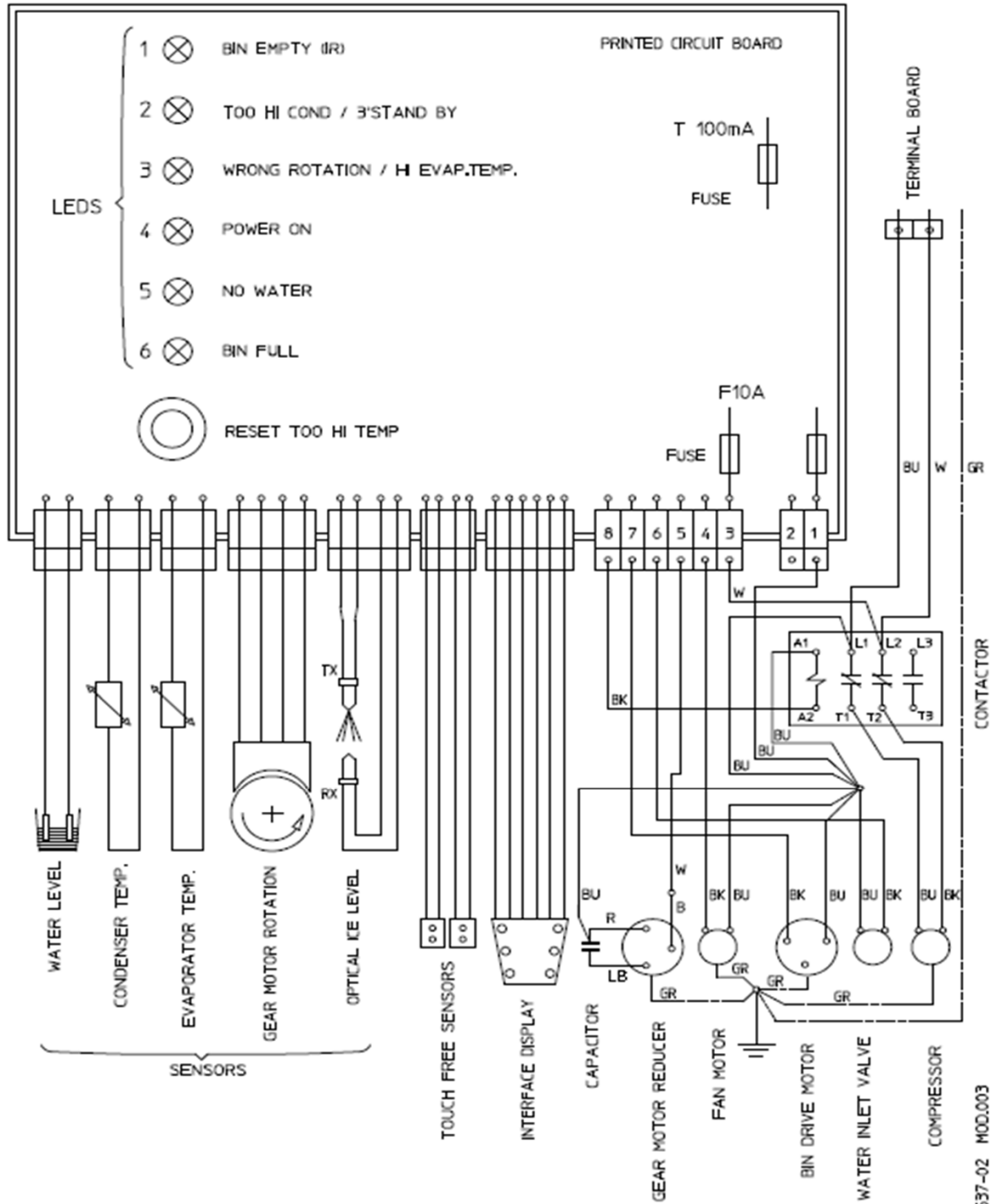
1011357-175	PC Board
1011357-178	Evaporator Sensor
1011357-177	Condenser Sensor
1011357-176	Water Sensing Wire
1011357-183	Connector Adapter

Wiring Diagram to June 2010

FS01 2008

WIRING DIAGRAM (MACHINE OPERATING)

BU - BLUE  
 W - WHITE  
 BK - BLACK  
 GR - GREEN  
 R - RED  
 B - BROWN  
 LB - Light Blue



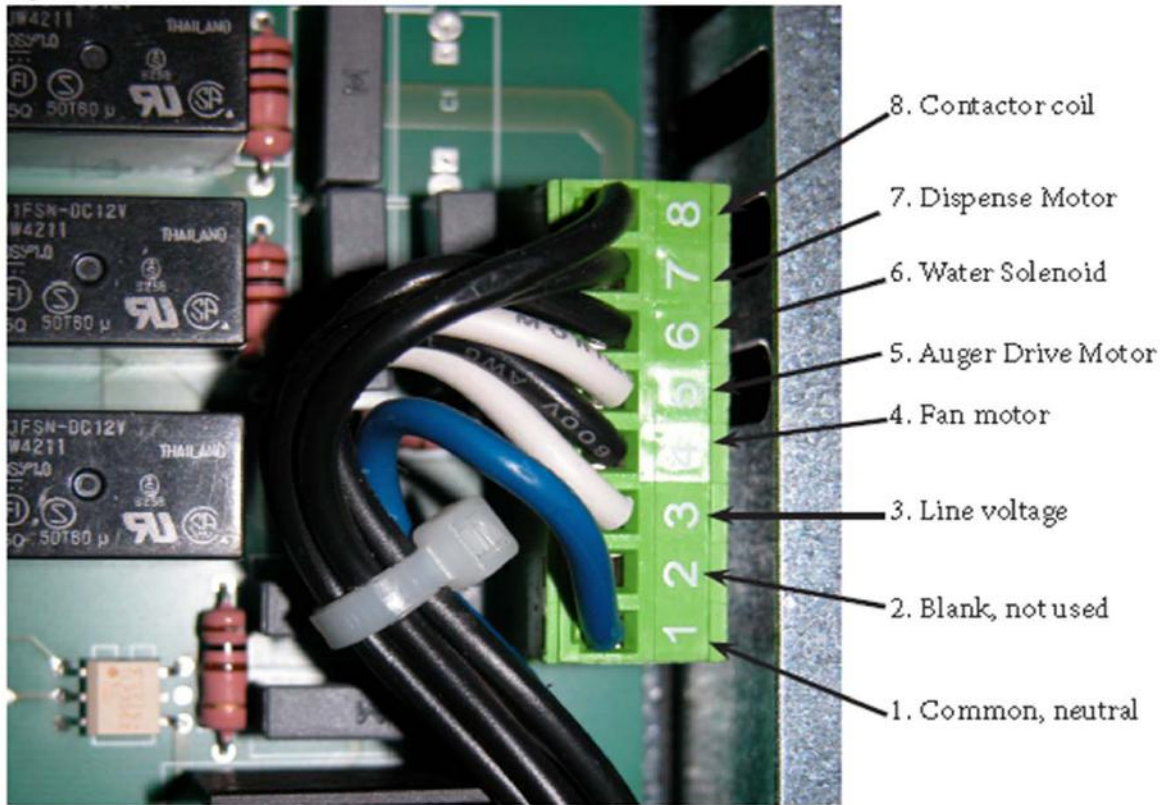
050537-02 MOD.003

Wiring Reference

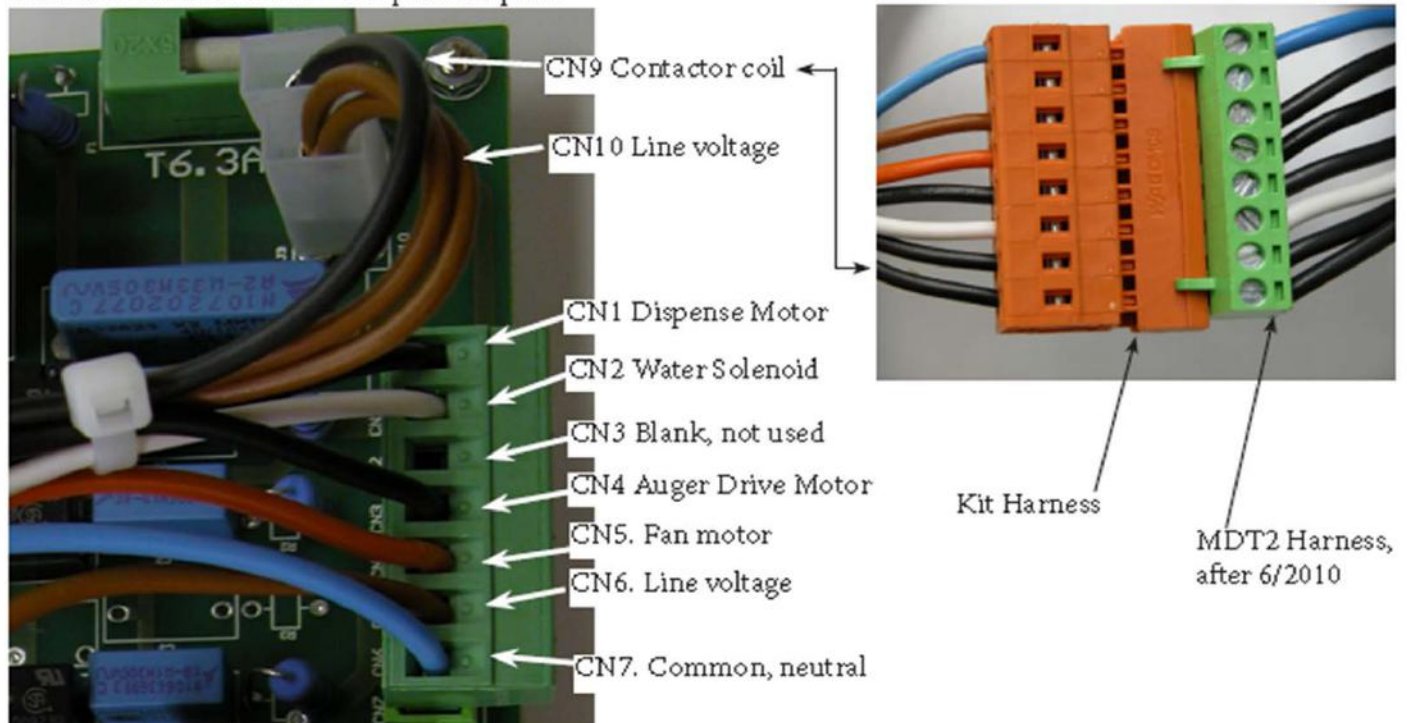
FS10 2014

Position of wiring is common, color of wires is not.

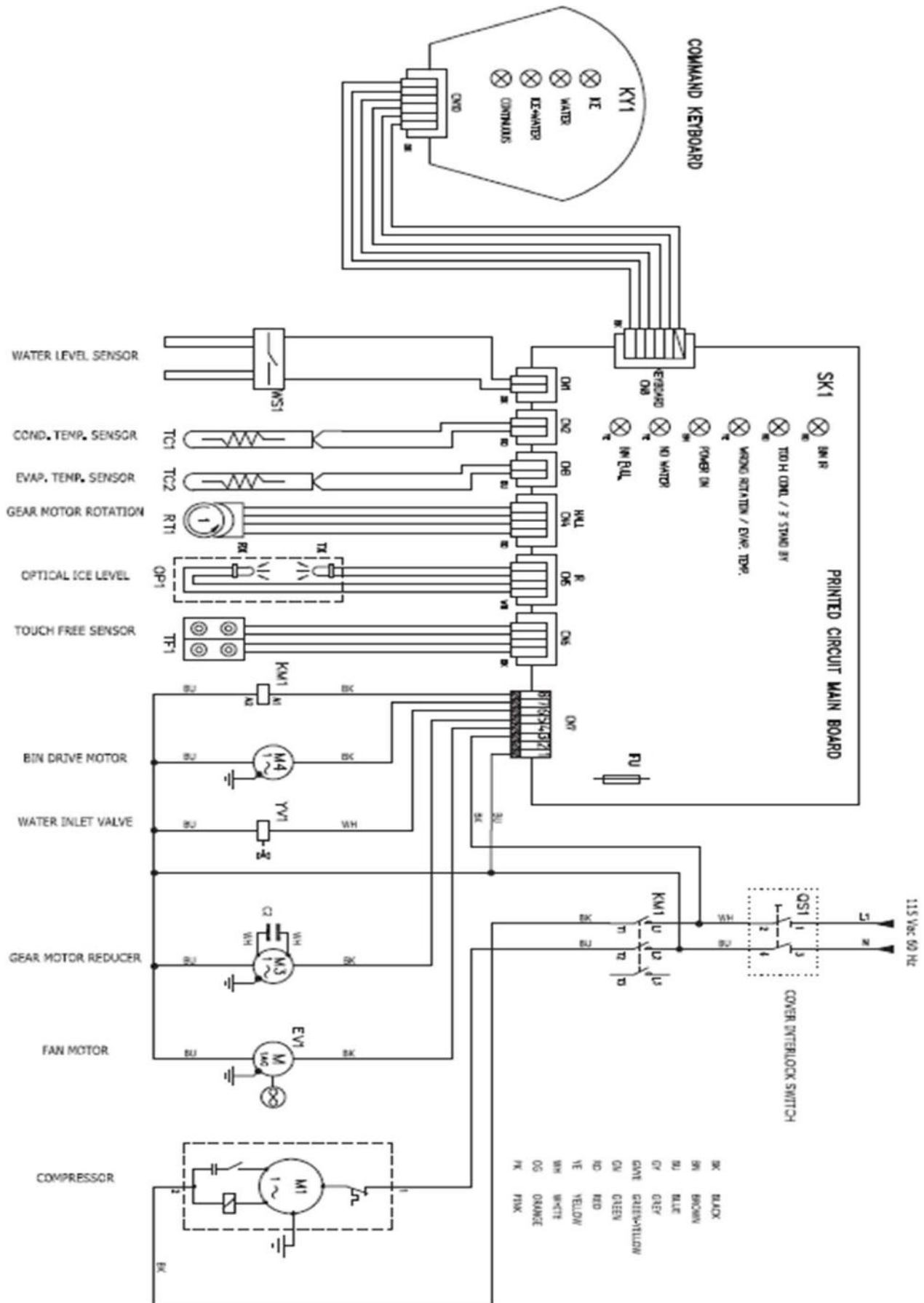
Controller Example from before 2010. Others (6/2010 and later) have only 1 white wire., plus water valve and auger motor wire colors switched.



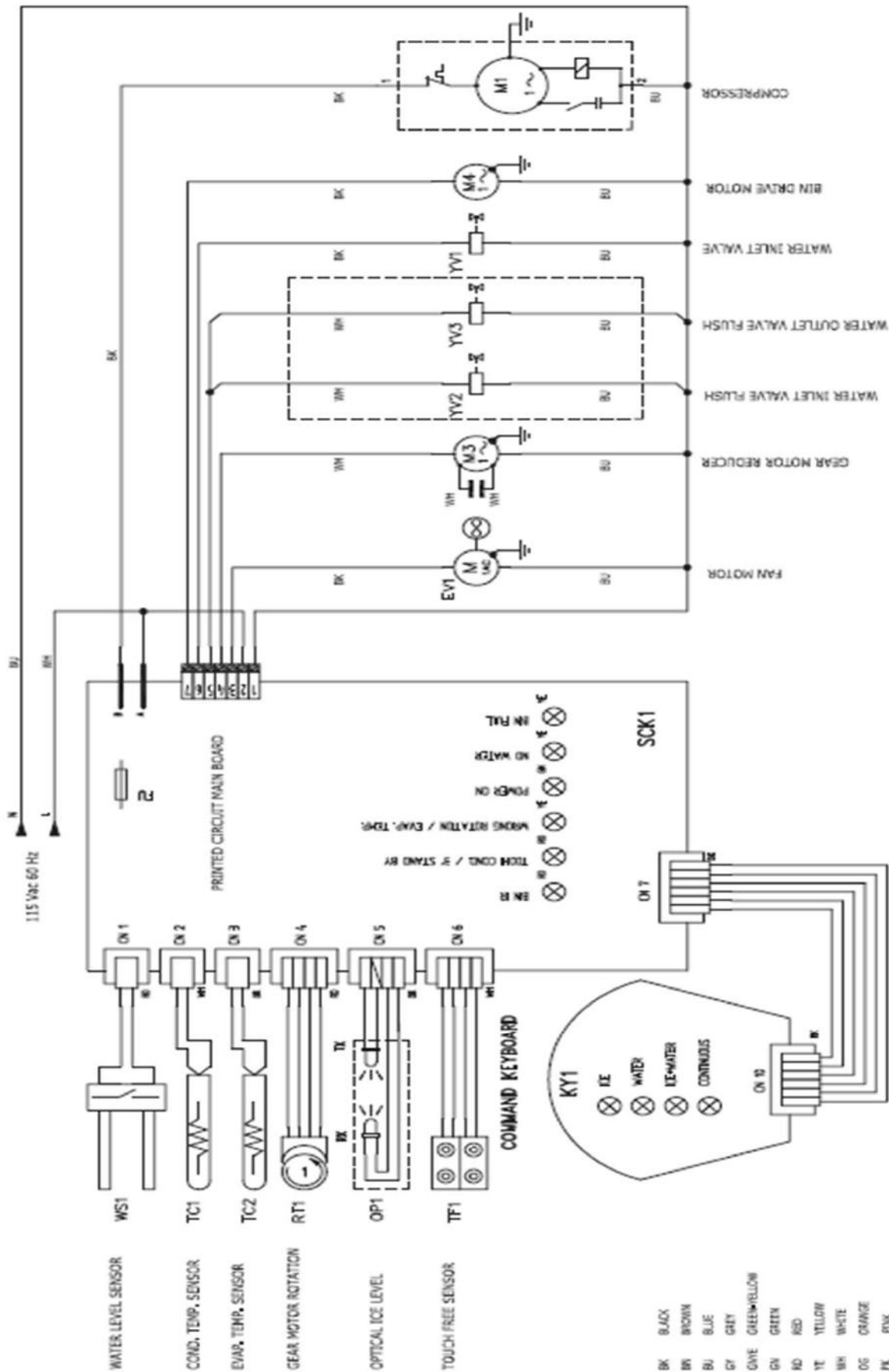
New 2015 Controller Kit - to replace all prior



Wiring Diagram June 2010 and later



Wiring Diagram From SN 1311128010584



OPTIONAL  
YV2-YV3

# PC BOARD - CARTE ELECTRONIQUE

## SCHEDA ELETTRONICA - STEUERKARTE

### CALIBRATION OF THE I/R ICE LEVEL CONTROL

At time of installation it's necessary to perform the calibration of the I/R Ice Level control.

- Switch OFF the machine at External Switch
- Push and hold the PC Board Push Button
- Switch ON the machine at External Switch
- Wait few seconds till all LEDs of the PC Board are ON
- Release the PC Board Push Button

The I/R Ice Level control is now calibrate

### ETALONNAGE DE LA CELLULE INFRAROUGE

Lors de l'installation de la carte électronique, il est nécessaire de faire l'étalonnage de la cellule infrarouge

- Arrêter la machine à l'aide de l'interrupteur extérieur de la machine.
- Pousser le bouton de la carte et le maintenir enfoncé.
- Mettre en marche la machine à l'aide de l'interrupteur extérieur.
- Attendre 6-7 secondes jusqu'à les LEDs de la Carte sont allumés
- Relâcher le bouton poussoir de la carte

La cellule infrarouge est étalonnée.

### CALIBRAZIONE DELLA SONDA OTTICA

All'installazione della scheda elettronica è necessario fare la calibrazione della sonda all'infrarosso

- Spegner la macchine all'interruttore principale esterno
- Premere il pulsante della scheda elettronica
- Mantenendo premuto il pulsante della scheda elettronica, mettere in marcia la macchina all'interruttore principale
- Attendere qualche secondo fino a che i tre LED della scheda si accendono
- Rilasciare il pulsante della scheda elettronica

La sonda all'infrarosso è calibrata.

### KALIBRIERUNG DER EISNIVEAU IR – LICHTSCHRANKE

Bei der Installation ist es notwendig eine Kalibrierung für die IR – Lichtschranke durchzuführen

- Schalten Sie die Maschine am Hauptschalter aus
- Drücken und halten Sie den Taster auf der Platine
- Schalten Sie die Maschine bei gedrücktem Taster wieder ein
- Halten Sie den Taster solange gedrückt bis die LED auf der Platine blinkt

Die IR – Lichtschranke ist nun kalibriert

NTC PC Board 660448 09 or the kit 060711 21

