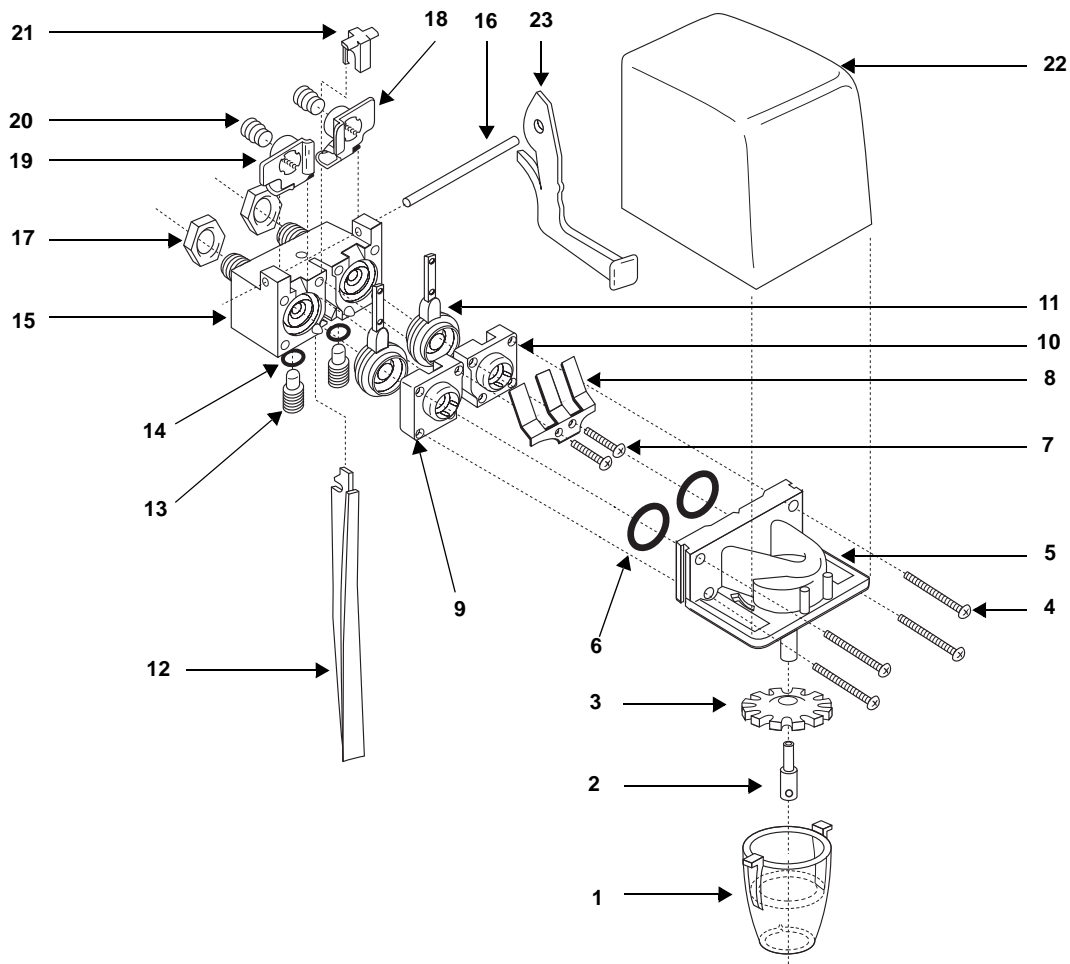


# FLOMATIC®

## Parts Manual

### 202 Post-Mix Valve



DESCRIPTION	PART NO.	DESCRIPTION	PART NO.	DESCRIPTION	PART NO.
1 Nozzle clear . . . . .	501-14	9 Orifice cap - left . . . . .	512-01	17 Pal nut . . . . .	525
2 Syrup diffuser . . . . .	502-02	10 Orifice cap - right . . . . .	512-01	18 Actuator - right . . . . .	521-01
3 Diffuser element . . . . .	504-00	11 Pallet . . . . .	515	19 Actuator - left . . . . .	522-01
4 Screw 4-40x1 SS . . . . .	505	12 Plastic Lever Black . . . . .	516-07	20 Actuator screw . . . . .	523
5 Diffuser block . . . . .	507-10	13 Screw - Brix adj . . . . .	518-00	21 Manual retainer cap . . . . .	517-00
6 O-ring (112) . . . . .	509	14 O-ring . . . . .	519	22 Cover . . . . .	1101
7 Screw 4-40x5/8 SS . . . . .	510	15 Flow control base . . . . .	520-01	23 Add-a-Lever . . . . .	1026
8 Spring pallet retainer . . . . .	511	16 Pivot Pin . . . . .	524		

Older valves require replacement of orifice caps to make the 516-07 lever fit. (512-01 & 513-01)