



# Frozen Beverage Dispensers

26"  
660mm

EVERYONE LOVES FROZEN™

F DOOR

41.4"  
1052mm

34"  
864mm

69"  
1753mm

5.4"  
138mm

## 77X ILLUSTRATED PARTS LIST

# 772 / 773 / 774



## TABLE OF CONTENTS

---

Table of Contents.....	2
Legal .....	2
Dispensing Valve and Faceplate Assembly.....	3
DDV or ADA DDV Dispensing Nozzle.....	4
Rebuild Kits.....	5
SDV II Dispensing Nozzle .....	6
Electrical Box .....	7
Keypad/LCD Assembly.....	8
Product Tray.....	9
Solution Solenoid & Mounting Block.....	10
External Cladding .....	11
Refrigeration Components.....	13
Beater Bar Assembly.....	15
Gear Motor Assembly.....	15
Door Assembly.....	16

## LEGAL

---

This Manual is for general informational purposes only and is not intended to cover every potential installation or operational possibility. The parts and equipment addressed herein are warranted only to the extent covered by FBD’s Parts and Equipment Warranty. FBD makes no express warranties as to any matter whatsoever and hereby disclaims all implied warranties including, without limitation, the implied warranties of merchantability and fitness for any particular purpose. In no event shall FBD be liable or obligated to customer or to any third party for incidental, consequential, or special damages, regardless of the theory of liability, arising out of, or in any manner related to FBD parts, equipment or any delay with respect to its delivery

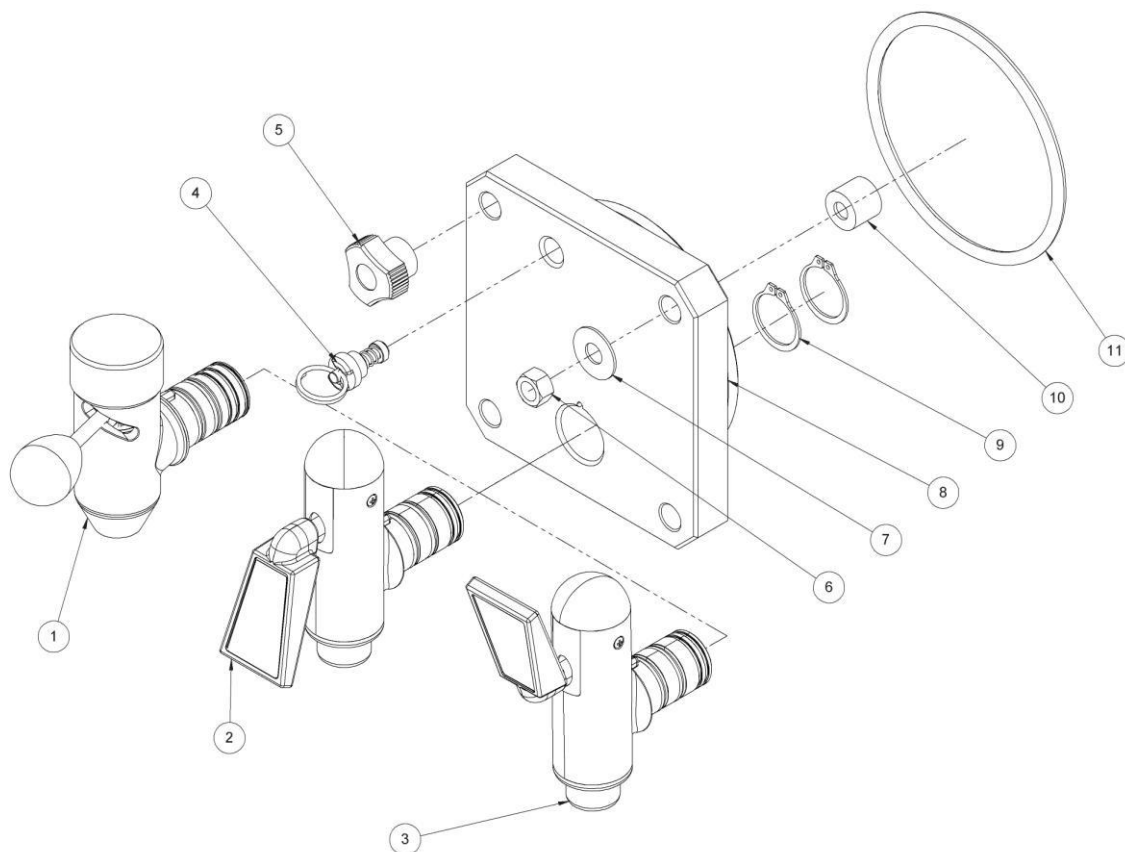
This document contains proprietary information which is protected by copyright. All rights reserved.

**© 2014 FBD Partnership, L.P. All Rights Reserved**

The information contained in this document is subject to change without notice.



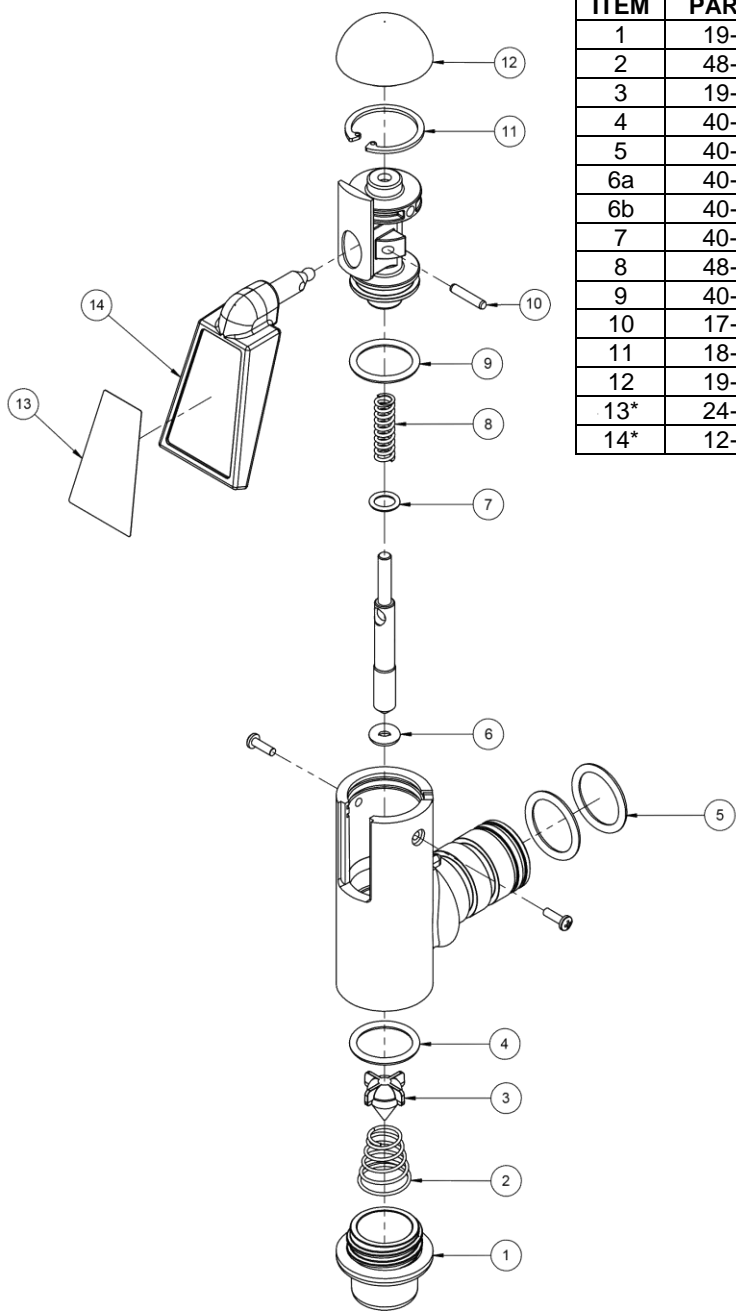
**DISPENSING VALVE AND FACEPLATE ASSEMBLY**



ITEM	PART NUMBER	DESCRIPTION
1a	12-2944-2001	SDV II Assembly, FCB, short handle
1b	12-2944-2101	SDV II Assembly, FCB, long handle
2a	12-2747-0004	ADA DDV Assembly, FCB
2b	12-2747-0005	ADA DDV Assembly, FUB
3a	12-2747-0001	DDV Assembly, FCB
3b	12-2747-0002	DDV Assembly, FUB
4	12-0253-0010	Relief valve
5	18-0921-0001	Knob, faceplate
6	18-2183-0001	Nut, faceplate
7	18-2182-0001	Washer, faceplate
8	19-0161-0001	Faceplate
9	18-0161-0001	Retaining ring
10	19-0186-0001	Bushing
11	40-0101-0002	O-ring, 110 mm x 6mm
-	12-0251-2001	SDV II & Faceplate assembly, FCB, Short handle
-	12-0251-2101	SDV II & Faceplate assembly, FCB, Long handle
-	12-0251-0003	ADA DDV & Faceplate assembly, FCB
-	12-0251-0005	ADA DDV & Faceplate assembly, FUB
-	12-0251-0001	DDV & Faceplate assembly, FCB
-	12-0251-0002	DDV & Faceplate assembly, FUB



**DDV OR ADA DDV DISPENSING NOZZLE**



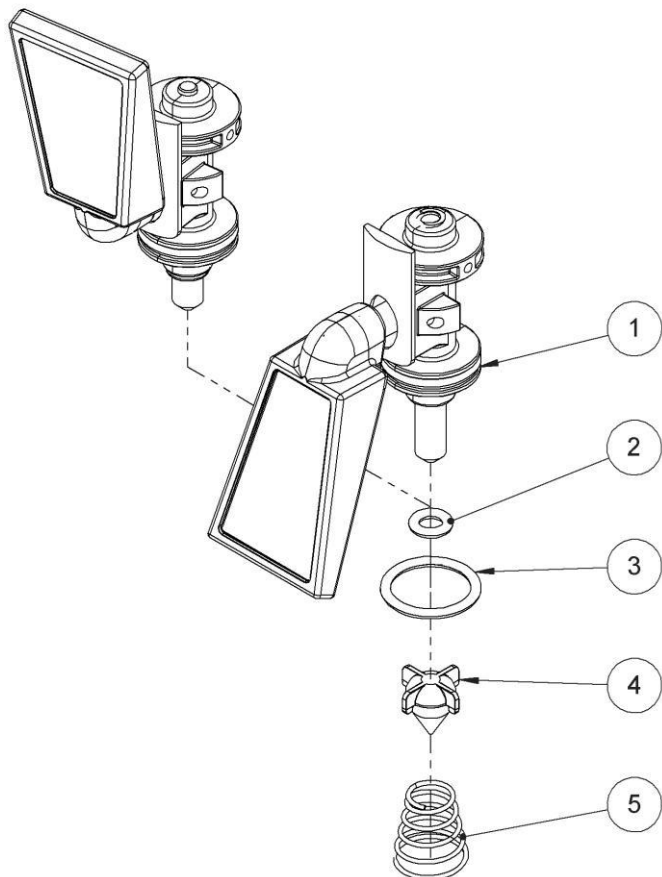
ITEM	PART NUMBER	DESCRIPTION
1	19-2195-0001	Nozzle
2	48-0105-0002	Spring, diffuser
3	19-0202-0003	Diffuser
4	40-0101-0003	O-ring, 2-117
5	40-0101-0001	O-ring, 21x3 mm
6a	40-0433-0003	O-ring, 2-201 (FCB)
6b	40-2069-0001	O-ring, 2-108 (FUB)
7	40-2030-0001	O-ring, 2-011
8	48-0104-0002	Spring, stem
9	40-0101-0003	O-ring, 2-117
10	17-2588-0001	Pin
11	18-2279-0001	Snap ring
12	19-2192-0001	Cap
13*	24-2412-0008	Push Decal (ADA DDV Only)
14*	12-2864-0002	Handle

\*DDV & ADA DDV nozzles are identical with the exception of the handle orientation and the presence of a "PUSH" decal on the ADA DDV.



**REBUILD KITS**

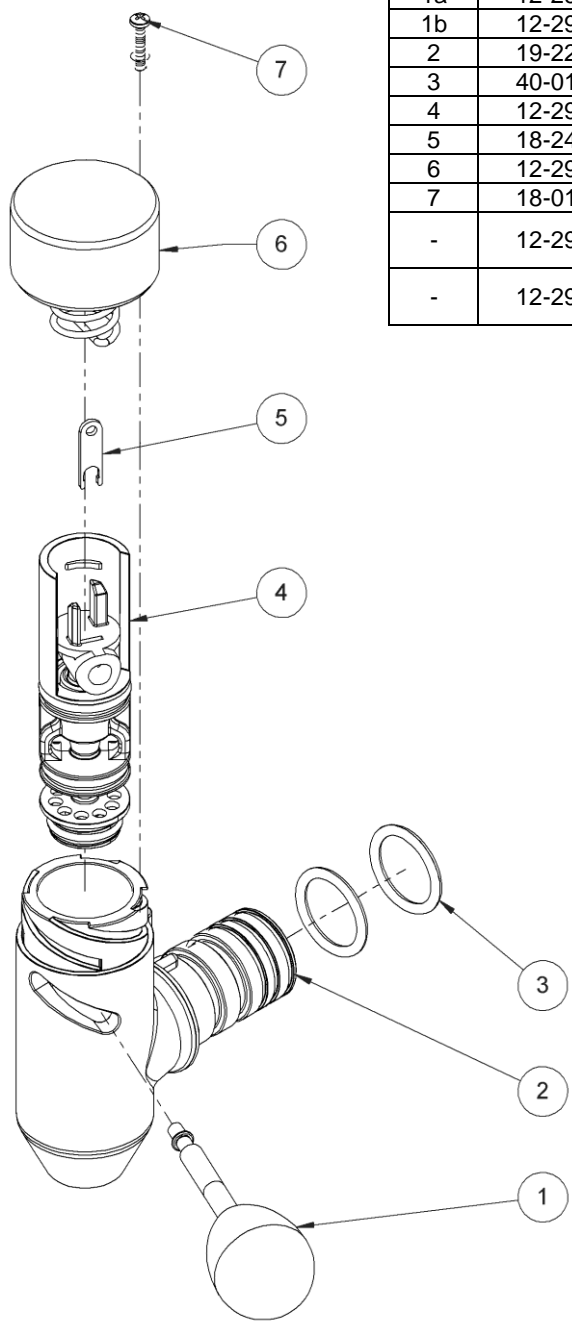
		FCB	FUB
		12-2747-XXXX	
<b>MINOR</b>	DDV	-0011	-0012
	ADA DDV	-0032	-0033
<b>MAJOR</b>	DDV	-0021	-0022
	ADA DDV	-0034	-0035



MAJOR REBUILD KIT COMPONENTS		
ITEM	PART NUMBER	DESCRIPTION
1a	12-2747-0011	Kit, minor rebuild, FCB, DDV
1b	12-2747-0012	Kit, minor rebuild, FUB, DDV
1c	12-2747-0032	Kit, minor rebuild, FCB, ADA DDV
1d	12-2747-0033	Kit, minor rebuild, FUB, ADA DDV
2a	40-0433-0003	O-ring, 2-201 <b>(FCB)</b>
2b	40-2069-0001	O-ring, 2-108 <b>(FUB)</b>
3	40-0101-0003	O-ring, 2-117
4	19-0202-0003	Diffuser, dispense valve
5	48-0105-0002	Spring, conical, molded DDV



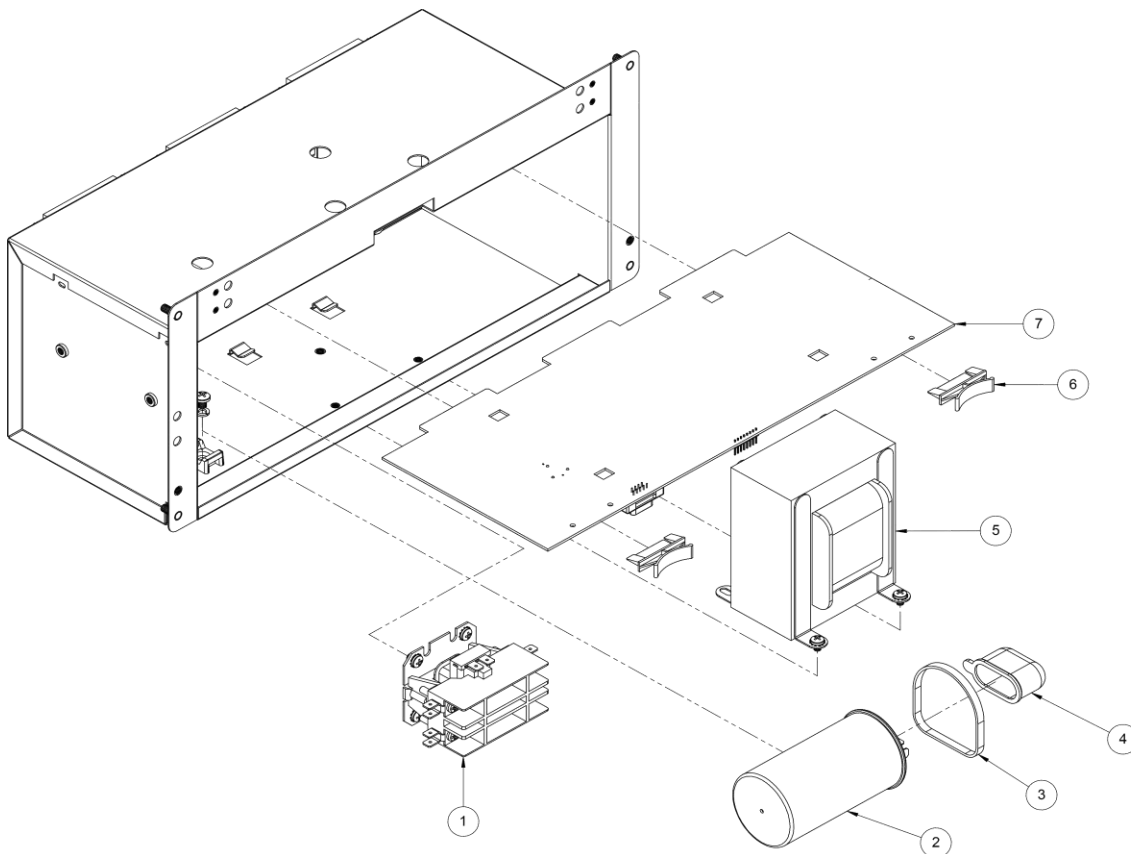
**SDV II DISPENSING NOZZLE**



ITEM	PART NUMBER	DESCRIPTION
1a	12-2946-0002	Short Handle (2.5")
1b	12-2946-0102	Long Handle (3.5")
2	19-2260-0001	Body, SDV
3	40-0101-0001	O-ring, 21 x 3 mm
4	12-2946-2001	Stem assembly, SDV II
5	18-2451-0001	Clip, lever, SDV II
6	12-2946-0003	Cap assembly, SDV II
7	18-0102-0002	Screw, 4-40 x 5/8"
-	12-2944-2010	Conversion kit (short handle) For use with non-FBD faceplates
-	12-2944-2021	Rebuild kit Contains items #4 & #5



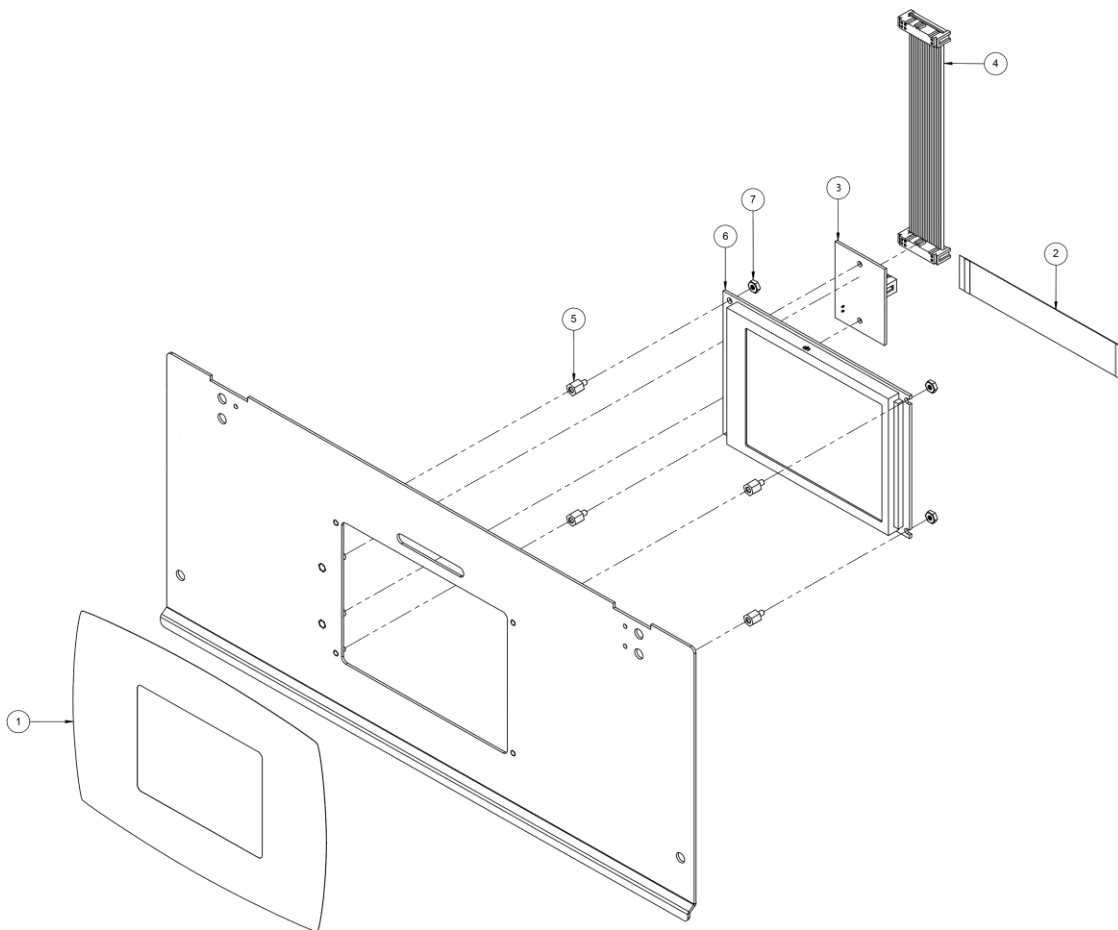
**ELECTRICAL BOX**



ITEM	PART NUMBER	DESCRIPTION
1	14-0391-0001	Contactor
2a	14-0482-0002	40MFD Capacitor, run (772 – 60 Hz)
2b	14-2110-0001	45MFD Capacitor, run (773, 774 – 60 Hz)
3	14-2074-0001	Tie wrap
4	40-0426-0001	Boot, capacitor
5	14-0379-0001	Transformer
6	14-2778-0001	Puller, PCB
7	70-2137-0002	Controller board
-	14-0478-0002	Replacement Fuse



**KEYPAD/LCD ASSEMBLY**

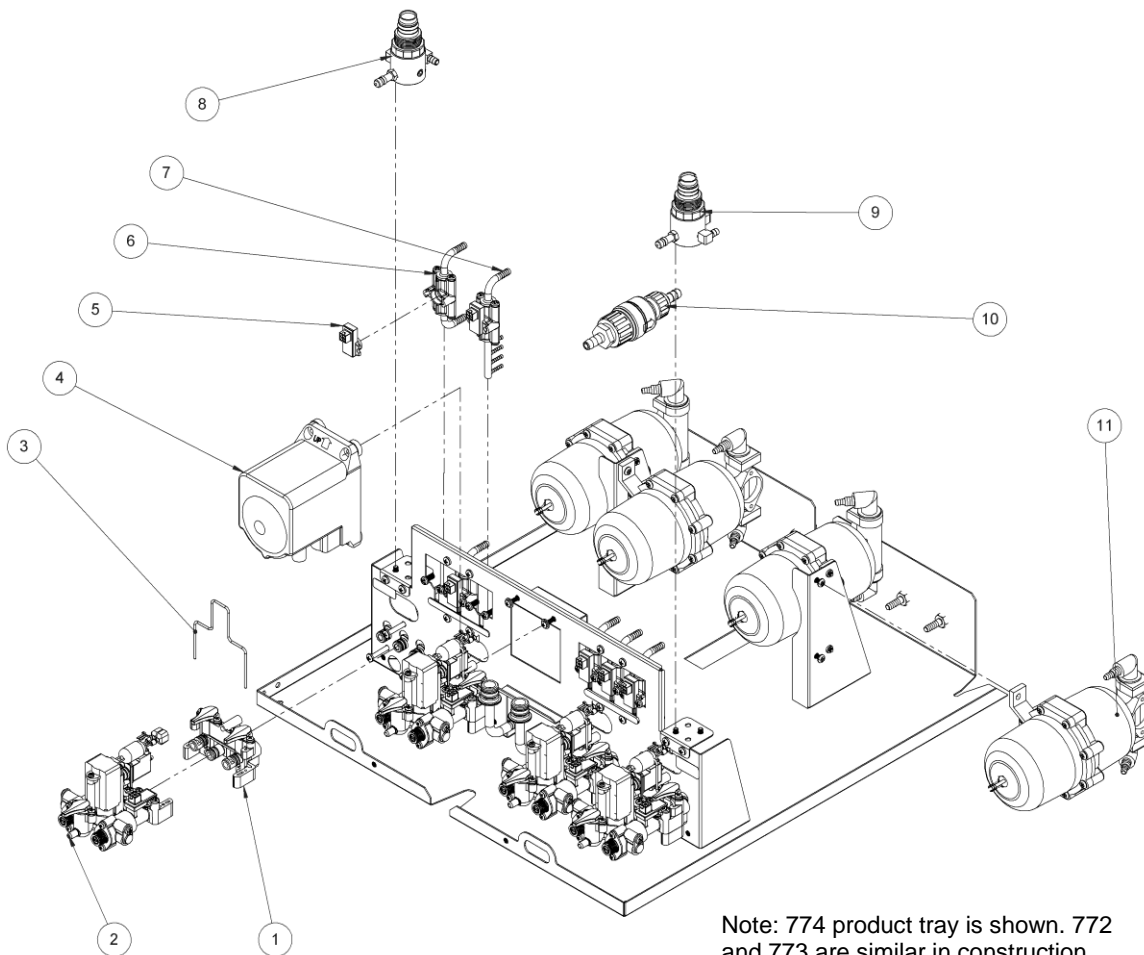


ITEM	PART NUMBER	DESCRIPTION
1	70-2121-0001	Keypad
2	14-2284-0001	Flex cable
3	70-2175-0001	Adapter PCB
4	14-2149-0006	Ribbon cable
5	18-2184-0005	Standoff
6	70-0351-0007	LCD
7	18-0901-0001	Nut
-	12-3134-0001	Assembly, keypad/panel/LCD





**PRODUCT TRAY**

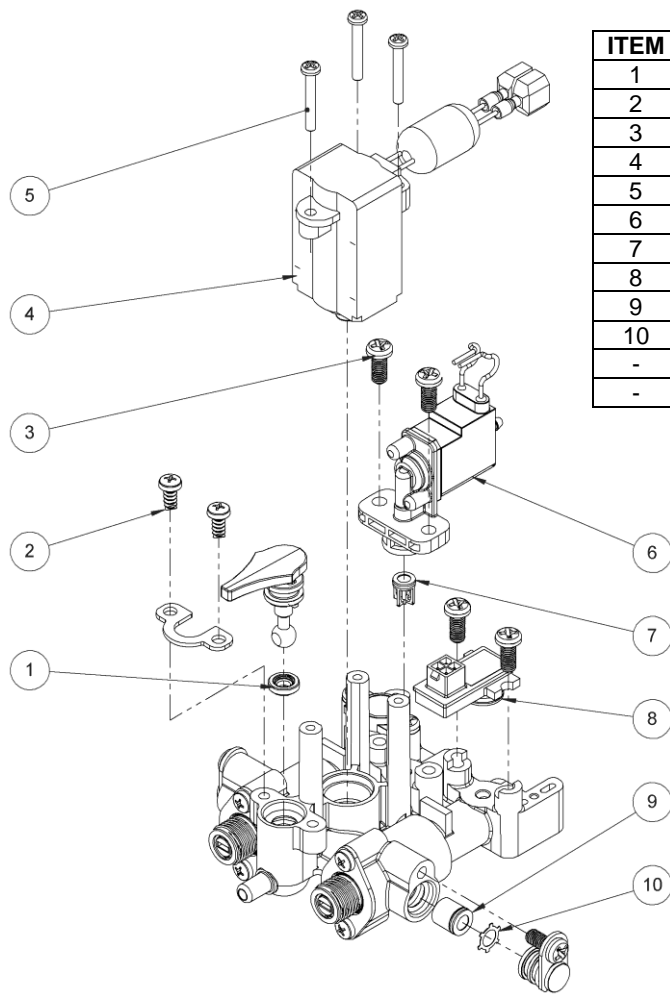


Note: 774 product tray is shown. 772 and 773 are similar in construction.

ITEM	PART NUMBER	DESCRIPTION
1	12-2867-0700	Mounting block assembly
2a	12-2867-0704	Solution module assy with CO2 solenoid, one transducer
2b	12-2867-0705	Solution module assy with CO2 solenoid, two transducers
3	17-3186-0001	Retaining wire
4	34-2030-0004	Water pump
5	12-2681-0100	Pressure transducer
6	12-3202-0001	Pressure transducer mount
7a	12-3232-0202	Pressure transducer mount with CO2 distribution manifold (772)
7b	12-3232-0203	Pressure transducer mount with CO2 distribution manifold (773)
7c	12-3232-0204	Pressure transducer mount with CO2 distribution manifold (774)
8	12-2787-0103	Regulator assembly, CO2, 60 PSI
9	12-2787-0104	Regulator assembly, CO2, 30 PSI
10	38-2007-0002	Regulator, water pressure
11	38-2004-0001	Expansion tank

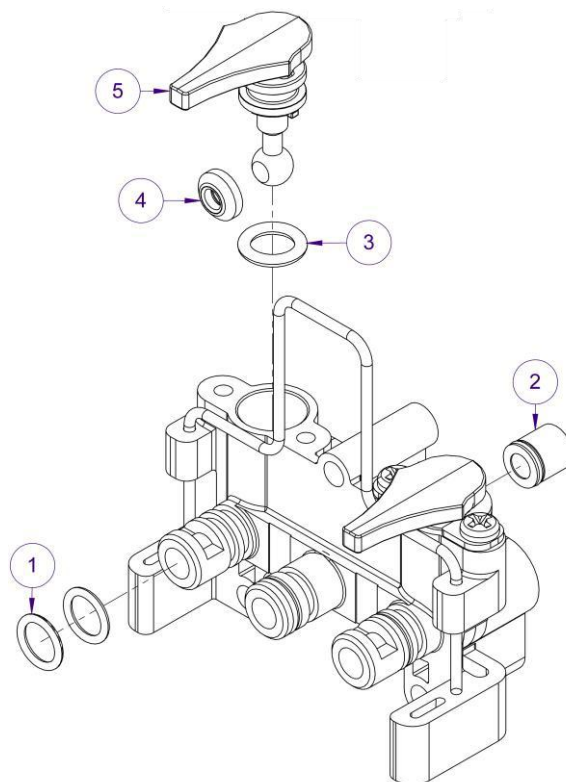


**SOLUTION MODULE & MOUNTING BLOCK**



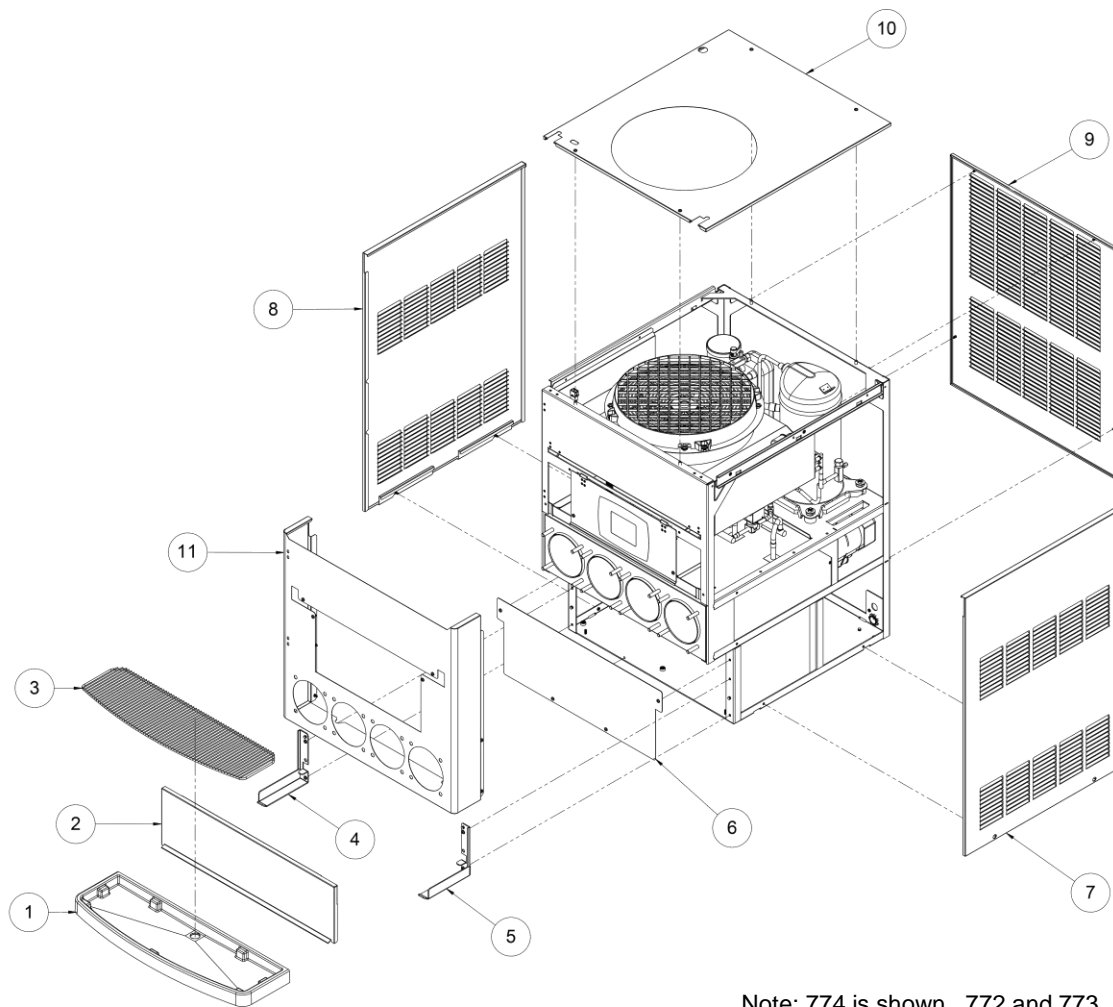
ITEM	PART NUMBER	DESCRIPTION
1	40-2041-0001	Seal
2	18-2239-0001	Plastite 8-16 x 3/8" screw
3	18-2239-0003	Plastite 10-14 x 1/2" screw
4	46-2010-0001	Header solenoid
5	18-2116-0002	Plastite 6-19 x 1" screw
6	46-2023-0001	CO2 solenoid
7	52-2048-0002	CO2 solenoid check valve
8	12-2681-0100	Pressure transducer
9	52-2048-0001	Check valve
10	18-2434-0001	Retaining ring
-	12-2867-0704	Solution module with one transducer
-	12-2867-0705	Solution module with two transducers

ITEM	PART NUMBER	DESCRIPTION
1	40-2003-0001	O-ring, 2-012
2	52-2048-0001	Check valve
3	40-2049-0001	O-ring, 2-110
4	40-2041-0001	Seal
5	19-2217-0001	Shutoff stem
-	12-2867-0700	Mounting block assembly





## EXTERNAL CLADDING



Note: 774 is shown. 772 and 773 are similar in construction.

F DOOR



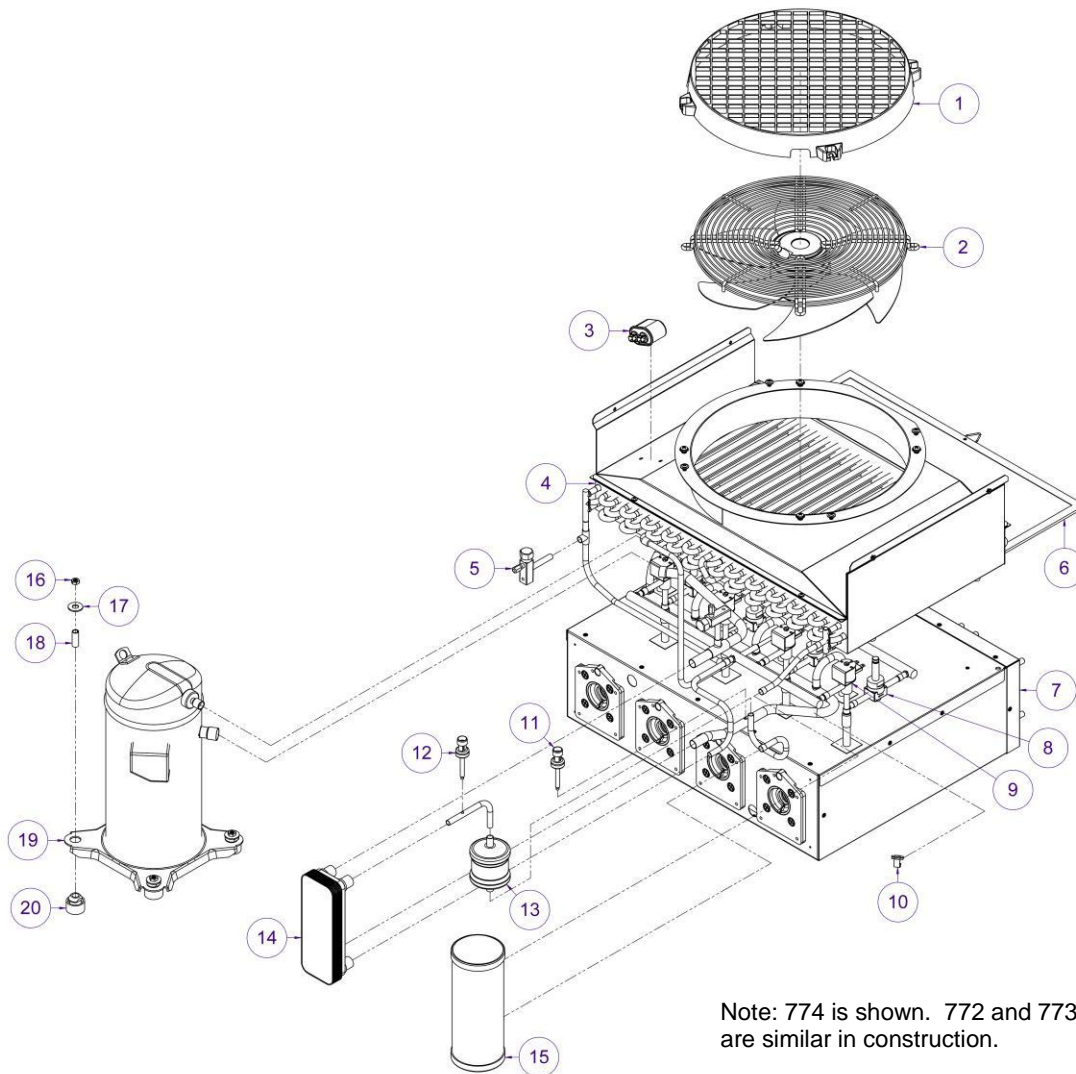
# Frozen Beverage Dispensers

EVERYONE LOVES FROZEN™

ITEM	PART NUMBER	DESCRIPTION
1a	19-2384-0002	Drip tray, 772
1b	19-2385-0002	Drip tray, 773
1c	19-2386-0003	Drip tray, 774
2a	17-3150-0007	Splash plate, 772
2b	17-3150-0008	Splash plate, 773
2c	17-3150-0009	Splash plate, 774
3a	17-3052-0006	Cup rest, 772
3b	17-3052-0007	Cup rest, 773
3c	17-3052-0008	Cup rest, 774
4	17-3055-0010	Drip tray bracket, left
5	17-3055-0009	Drip tray bracket, right
6a	17-3150-0004	Fluid component cover, 772
6b	17-3151-0004	Fluid component cover, 773
6c	17-3138-0006	Fluid component cover, 774
7	17-3076-0001	Side panel, right
8	17-3079-0001	Side panel, left
9a	17-0311-0010	Back panel, 772
9b	17-2625-0009	Back panel, 773
9c	17-2599-0003	Back panel, 774
10a	17-2652-0020	Top panel, 772
10b	17-2652-0021	Top panel, 773
10c	17-2652-0022	Top panel, 774
11a	17-3071-0001	Front panel, 772
11b	17-3072-0001	Front panel, 773
11c	17-3073-0001	Front panel, 774



**REFRIGERATION COMPONENTS**



F DOOR



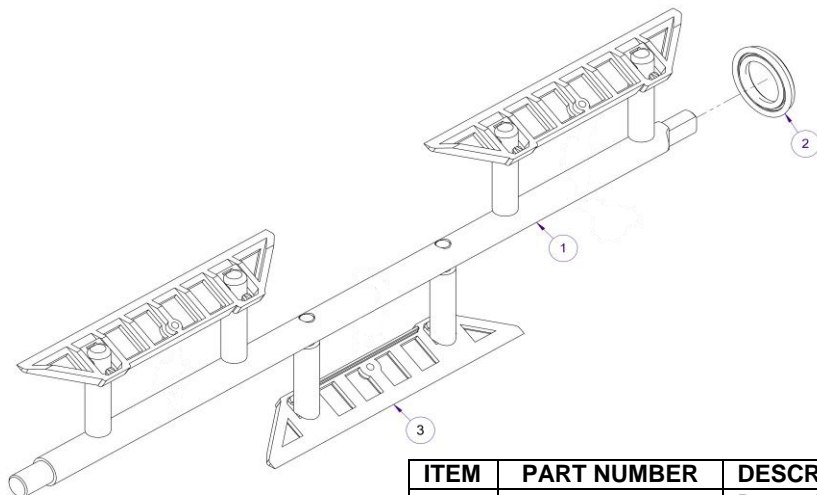
# Frozen Beverage Dispensers

EVERYONE LOVES FROZEN™

ITEM	PART NUMBER	DESCRIPTION
1	19-2413-0001	Grid, fan
2	30-0105-0001	Condenser fan
3	14-0484-0001	Fan capacitor
4a	36-2051-0002	Condenser, 772 (shroud not included)
4b	36-2052-0002	Condenser, 773 (shroud not included)
4c	36-2040-0004	Condenser, 774 (shroud not included)
5	52-2018-0001	Access valve
6a	20-2008-0010	Air filter, 772
6b	20-2008-0008	Air filter, 773
6c	20-2008-0009	Air filter, 774
7a	12-2786-0004	Freeze pack assembly, 772 air cooled
7b	12-2058-0008	Freeze pack assembly, 773 air cooled
7c	12-2786-0002	Freeze pack assembly, 774 air cooled
8	46-0100-0003	Defrost valve with solenoid
9	46-0102-0003	Refrigeration valve with solenoid
10	70-0291-0004	Thermistor
11	14-2235-0003	Pressure transducer, braze-in, 0-200 PSI
12	14-2236-0003	Pressure transducer, braze-in, 0-500 PSI
13	36-0156-0001	Filter dryer
14	36-2075-0001	Heat exchanger
15a	36-2043-0002	Receiver, 772
15b	36-2043-0003	Receiver, 773 & 774
16	18-0501-0003	Nut
17	18-0402-0002	Washer
18	40-0205-0001	Sleeve
19a	12-2952-0002	Compressor kit, 772 (ZB15)
19b	12-2952-0001	Compressor kit, 773 & 774 (ZB19)
20	40-2044-0001	Grommet

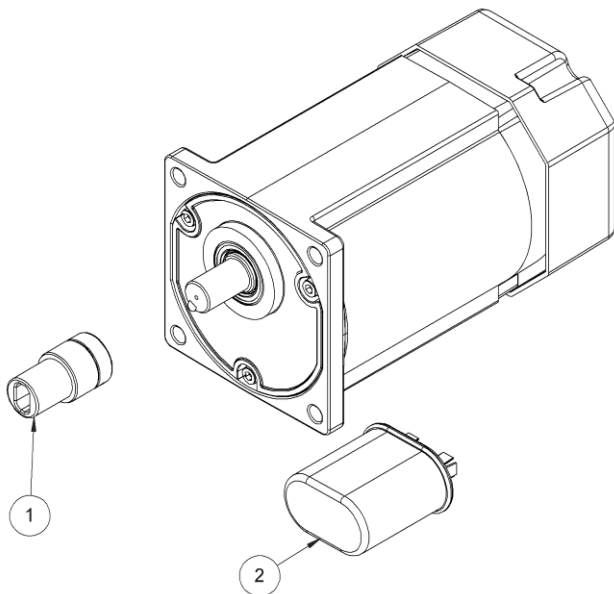


**BEATER BAR ASSEMBLY**



ITEM	PART NUMBER	DESCRIPTION
1	12-0301-0001	Beater bar assembly (w/ blades)
2	19-0100-0003	Scraper blade
3	40-0301-0003	Rear seal

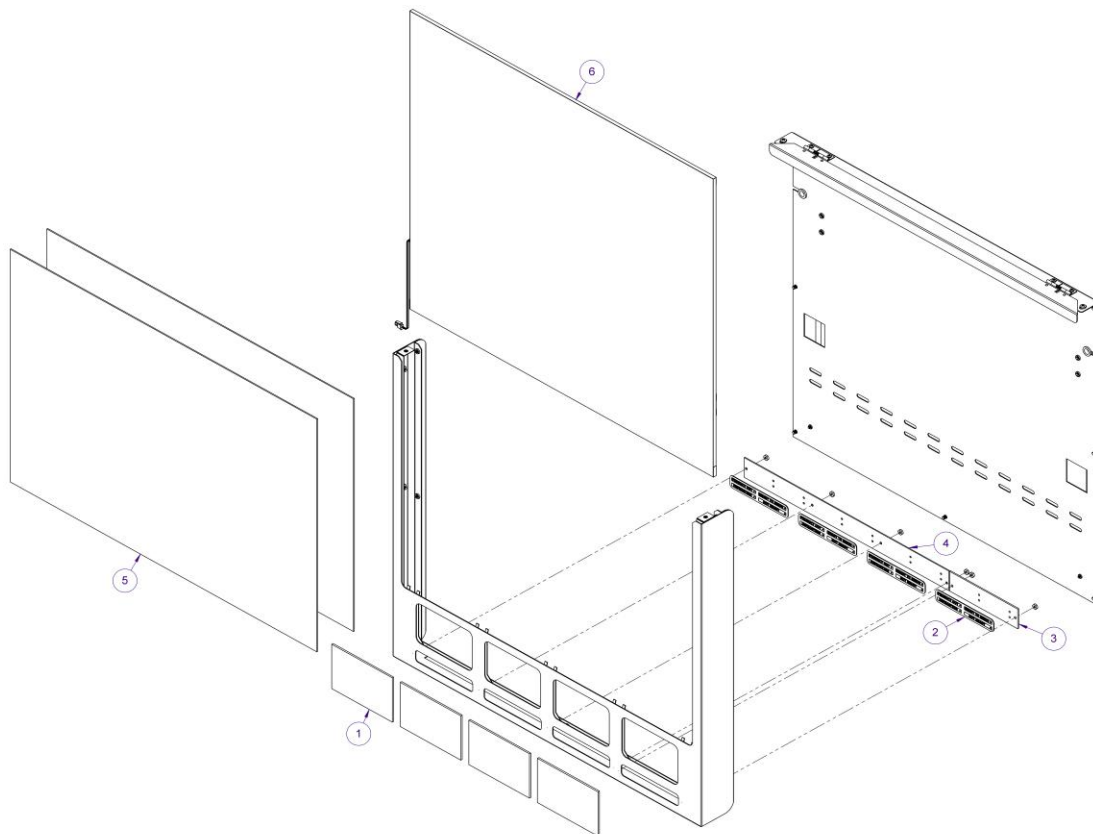
**GEAR MOTOR ASSEMBLY**



ITEM	PART NUMBER	DESCRIPTION
-	12-0291-0003	Gear motor assembly (with capacitor and coupler)
1	12-1151-0001	Ceramic coupler
2	14-0484-0001	Gear motor capacitor



**DOOR ASSEMBLY**



Note: 774 is shown. 772 and 773 are similar in construction.

ITEM	PART NUMBER	DESCRIPTION
1	19-2225-0002	Flavor card diffuser (77x)
2	19-2223-0006	Status display overlay
3	70-2182-0003	PCB, 4 <sup>th</sup> barrel, 774
4a	70-2182-0002	PCB, 2 barrels, 772
4b	70-2182-0001	PCB, 3 barrels, 773 & 774
5a	24-2196-0001	Graphic diffuser, 772
5b	24-2347-0001	Graphic diffuser, 773
5c	24-2350-0001	Graphic diffuser, 774
6a	14-2280-0001	Light guide panel, 772
6b	14-2280-0002	Light guide panel, 773
6c	14-2280-0003	Light guide panel, 774