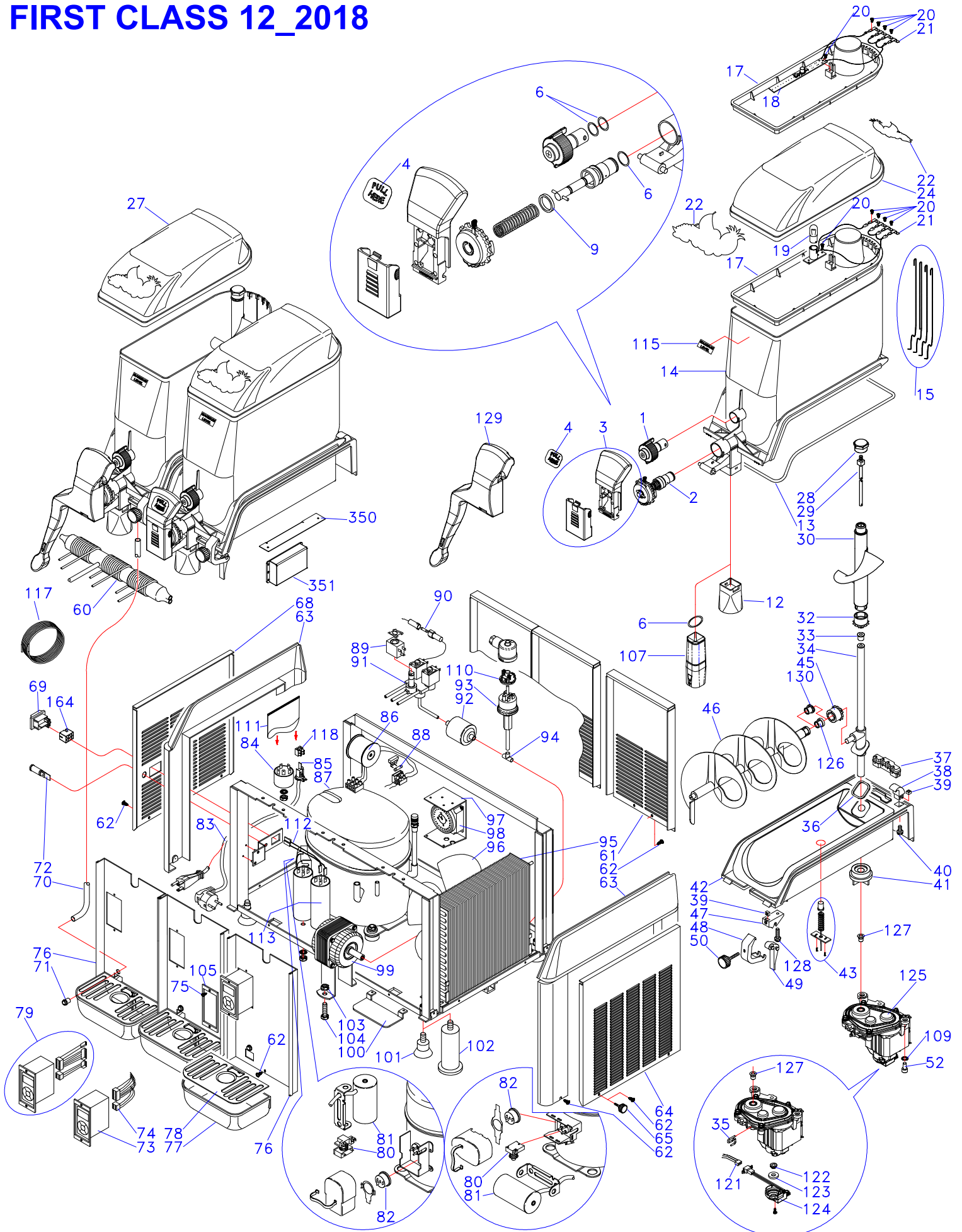
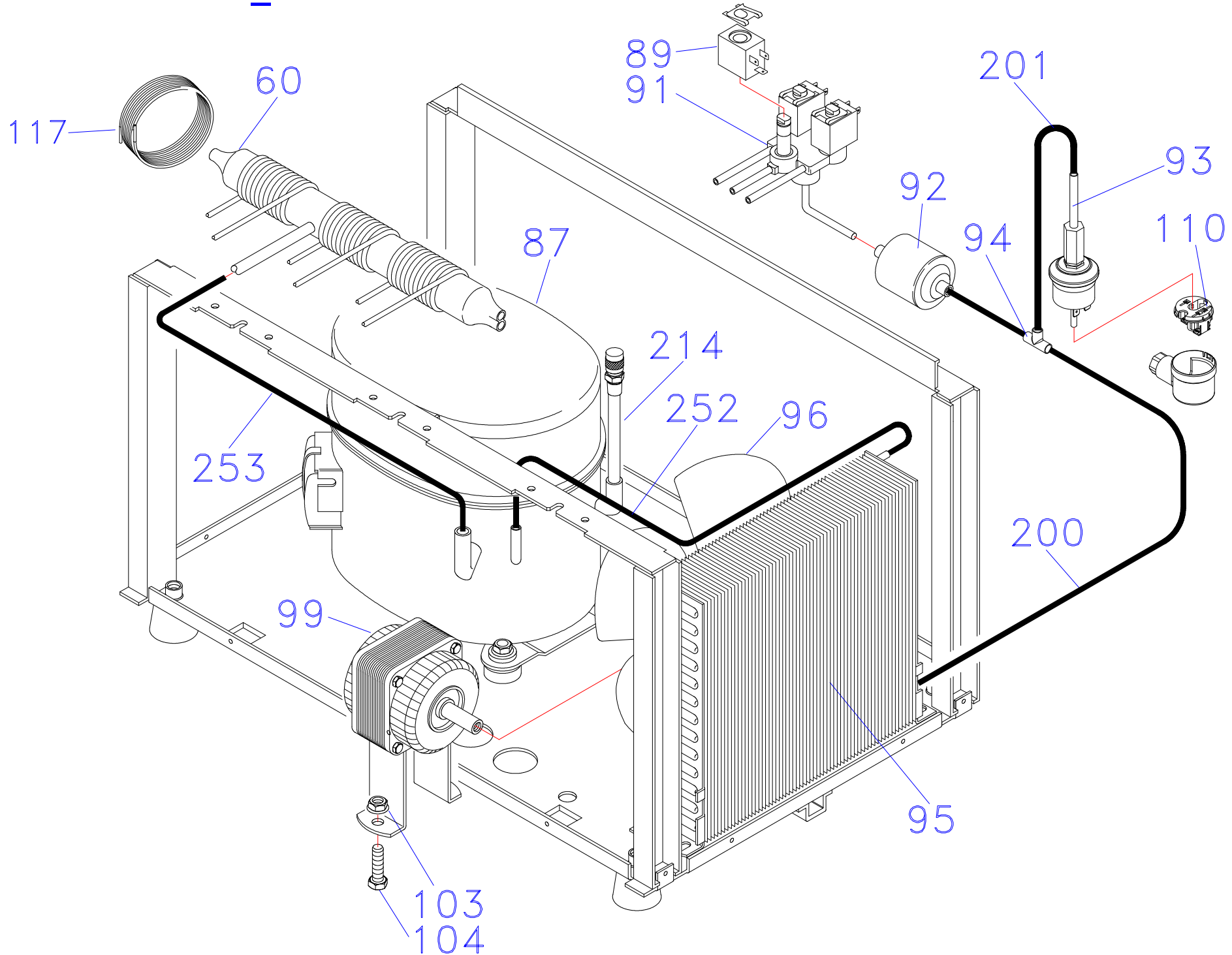


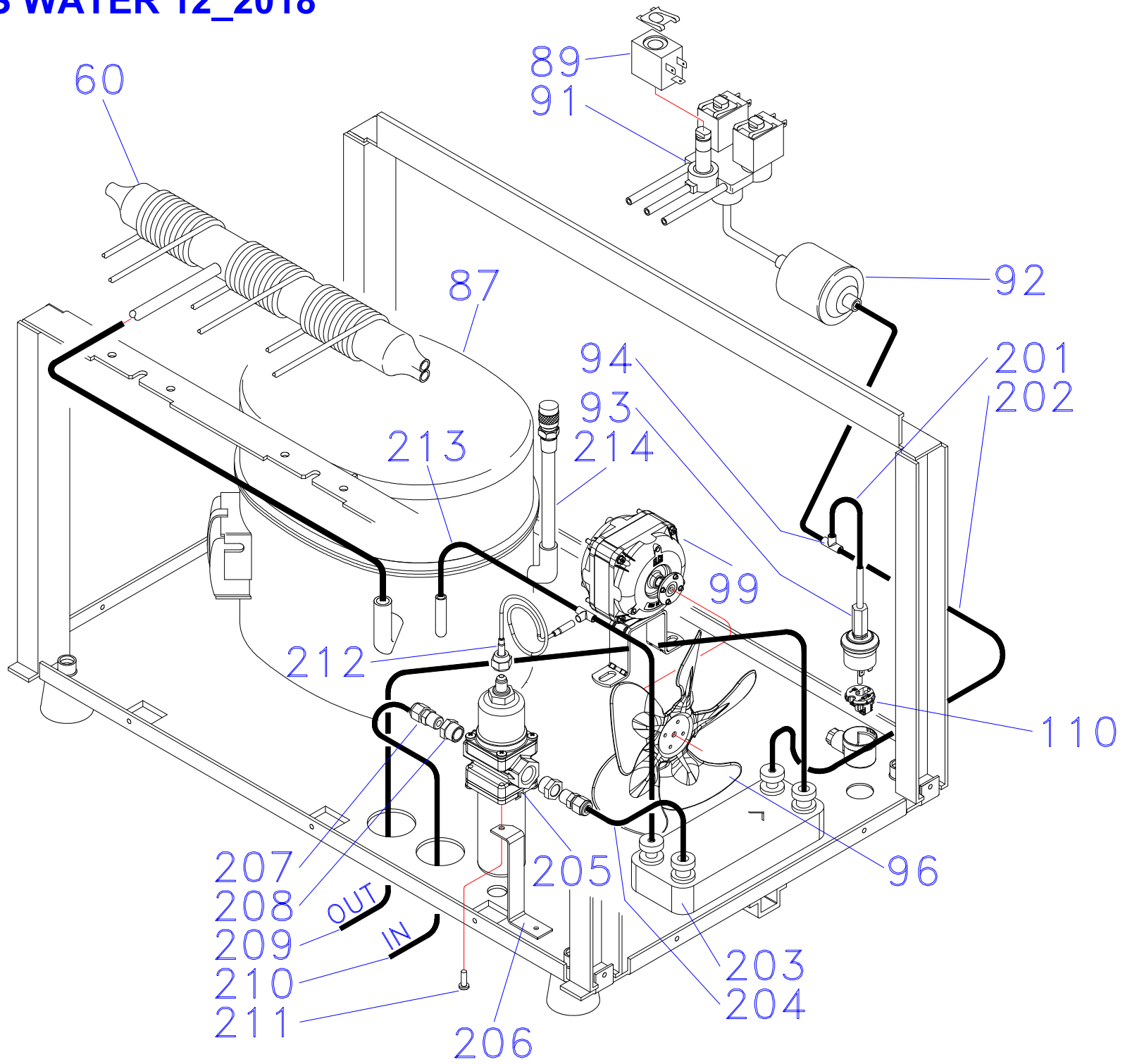
# FIRST CLASS 12\_2018



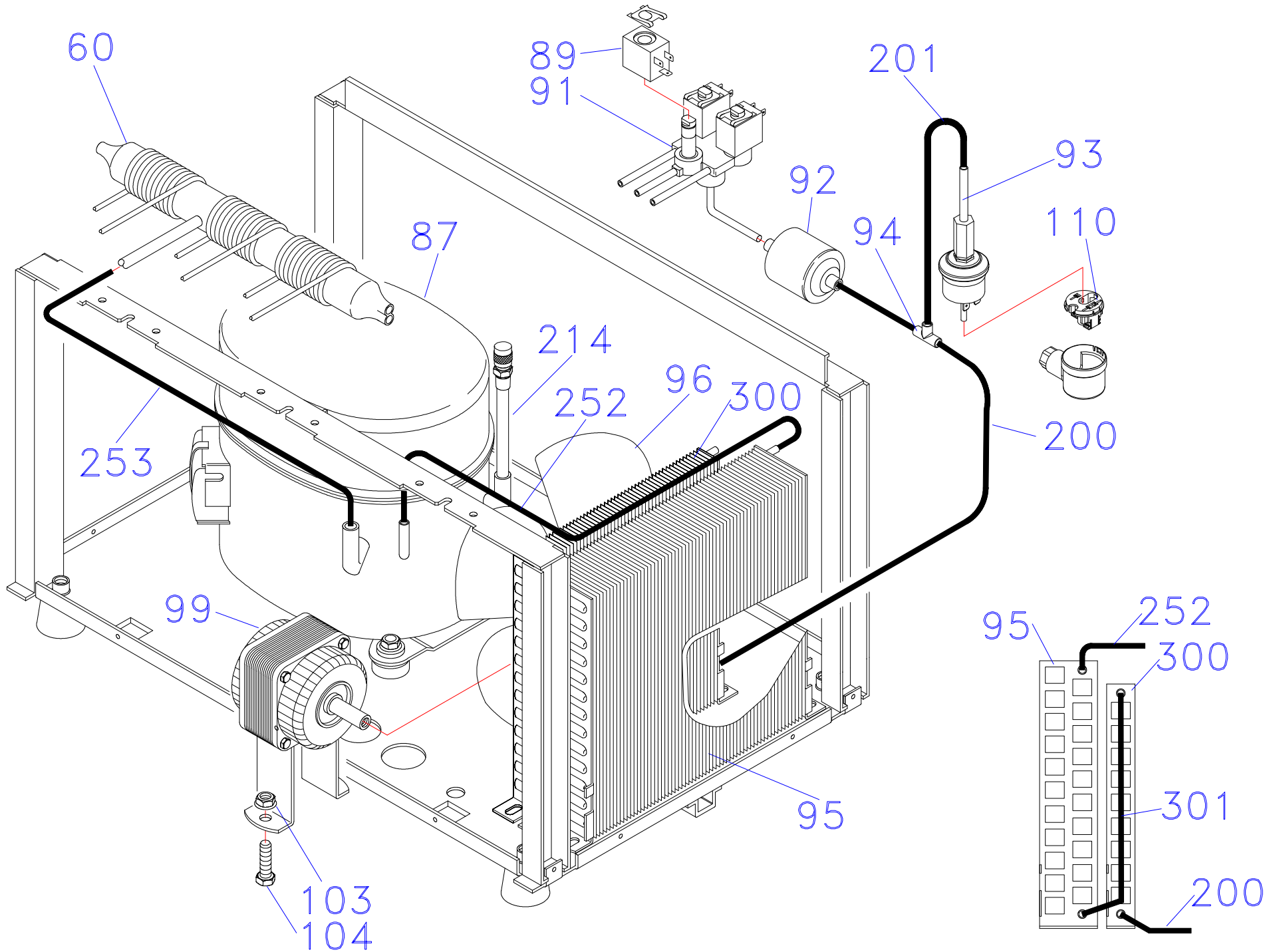
# FIRST CLASS AIR 12\_2018



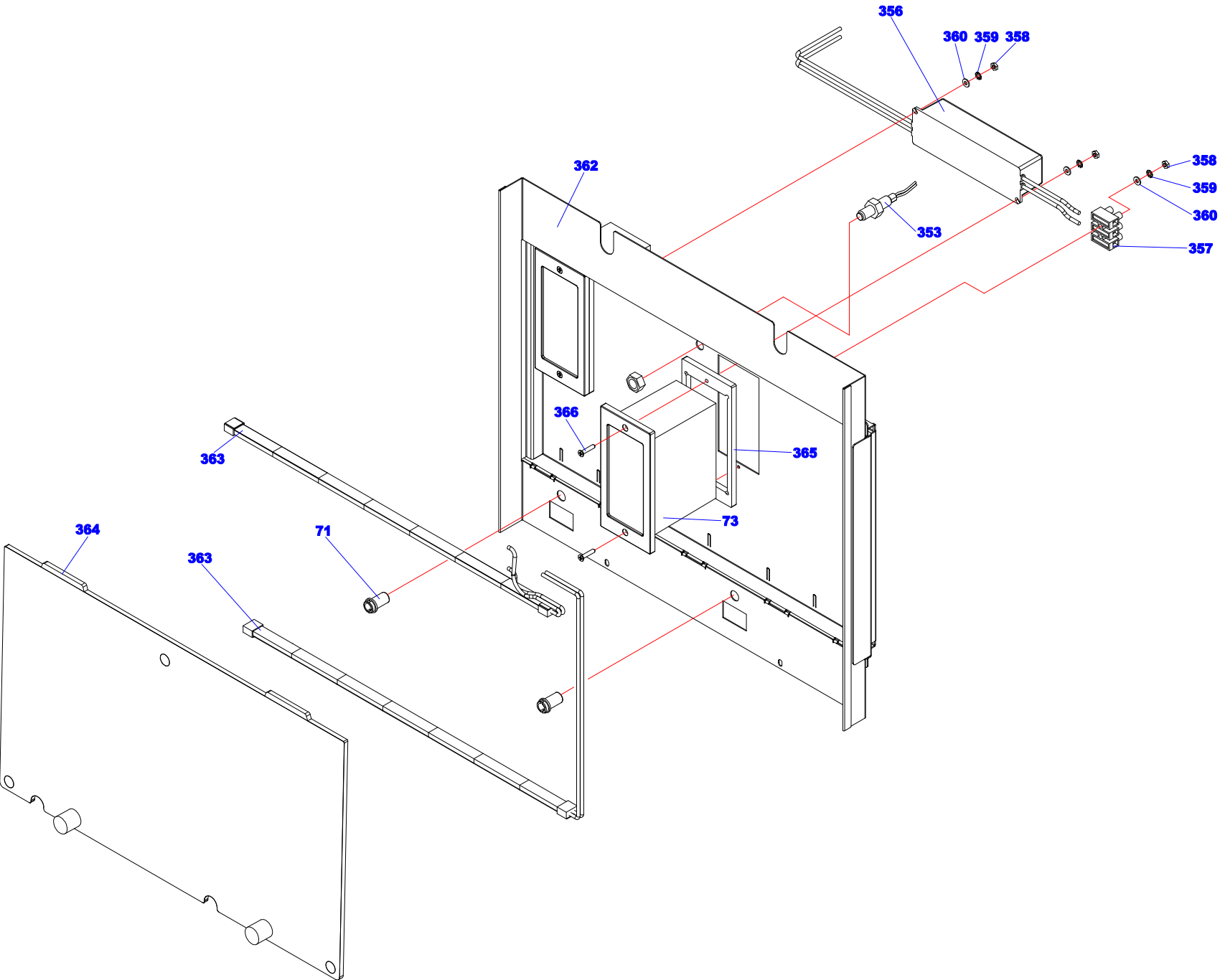
# FIRST CLASS WATER 12\_2018



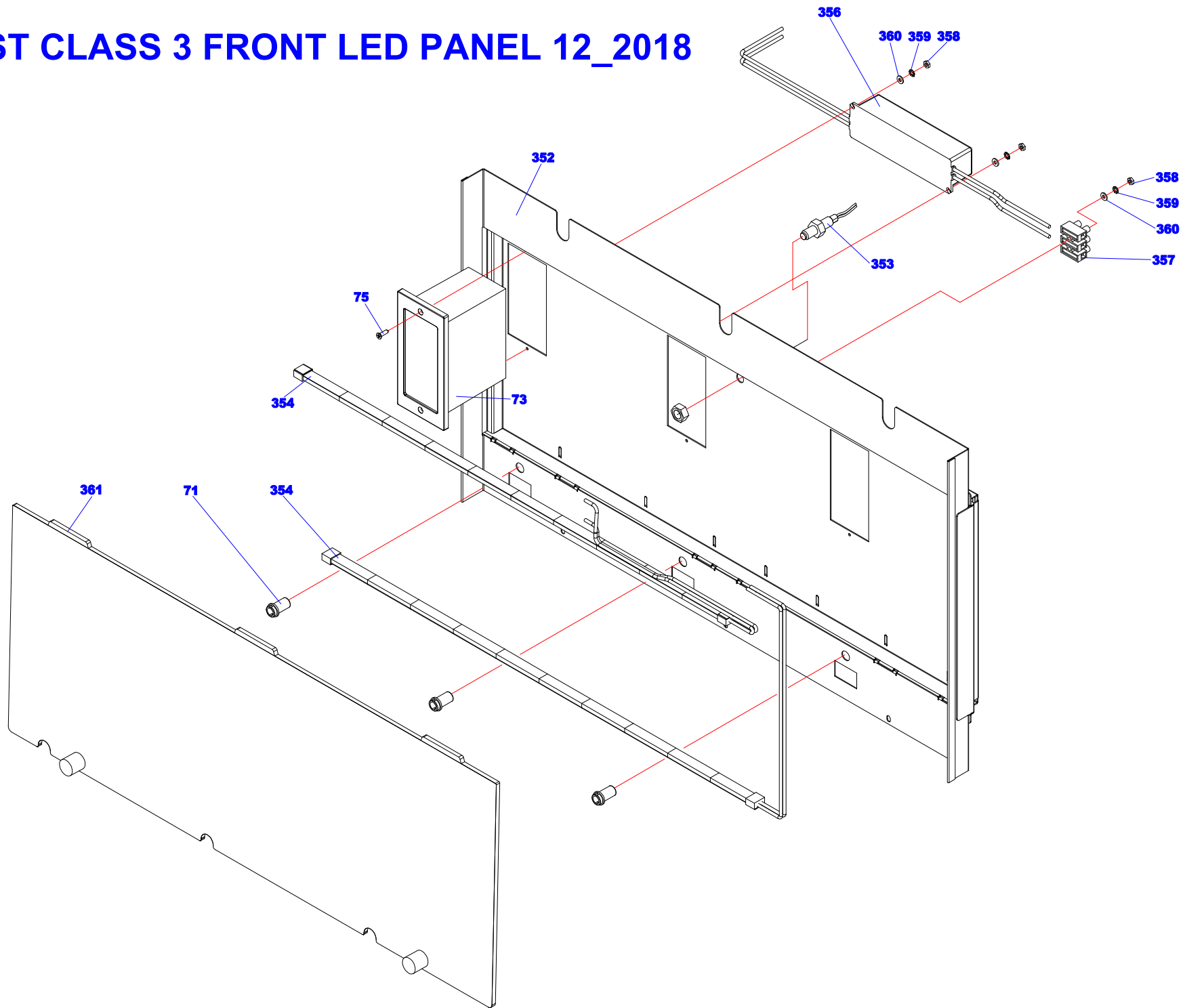
# FIRST CLASS TROPICAL 12\_2018



# FIRST CLASS 2 FRONT LED PANEL 12\_2018



# FIRST CLASS 3 FRONT LED PANEL 12\_2018



**FIRST CLASS: Listino Ricambi\Spare Part Price List 2018 Rev.07**

"NOTA ! I prezzi in dollari sono dedicati al Mercato Americano  
NOTE ! The prices in Dollars are dedicated to the America Market"

CODICE	ESP	DESCRIZIONE	DESCRIPTION	FC1	FC2	FC3	115/ 60	230/ 50	220/ 60	100/ 50- 100/ 60
M0004109-002	1	ASSIEME GHIERA-MANICOTTO VERSIONE 2012	RING NUT HORIZONTAL AUGER 2012 VERSION	*	*	*	*	*	*	*
M0003126-003	2	ASSIEME GHIERA-LEVETTA CON PISTONE VERSIONE 2014 (ASTINA FIBRA VETRO)	RING NUT LEVER COVER PISTON 2014 VERSION (GLASS FABER)	*	*	*	*	*	*	*
M0003126-001	2	ASSIEME GHIERA-LEVETTA CON PISTONE (ASTINA INOX)	RING NUT LEVER COVER PISTON (STAINLESS STEEL AXE)	*	*	*	*	*	*	*
M0003139-001	3	ASSIEME LEVA+COPERCHIO NERO VERSIONE 2012	BLACK HANDLE AND COVER 2012 VERSION	*	*	*	*	*	*	*
A0006111-001	4	ADESIVO "PULL HERE"	"PULL HERE" STICKER	*	*	*	*	*	*	*
OR13000117	6	O-RING 117 SILICONE	O-RING 117	*	*	*	*	*	*	*
M0003117-001	9	GUARNIZIONE GOLA RUBINETTO SILICONE	OUTLET BACK GASKET	*	*	*	*	*	*	*
M0006134-001	12	PROLUNGA CORPO RUBINETTO	DISPENSING SPOUT	*	*	*	*	*	*	*
M0006134-002	12	PROLUNGA CORPO RUBINETTO CON ADESIVO "BICCHIERE"	DISPENSING SPOUT CUP VERSION	*	*	*	*	*	*	*
M0000106-001	13	GUARNIZIONE PER VASCA	GASKET TRANSPARENT TANK	*	*	*	*	*	*	*
M0000147-001	14	VASCA TRASPARENTE COMPLETA DI SPINA	TRANSPARENT TANK COMPLETE OF PIN DRAIN LEVER	*	*	*	*	*	*	*
M0005159-001	15	KIT FILI CONTATTO BASSA TENSIONE INOX	LOW VOLTAGE CONTACT WIRES KIT	*	*	*	*	*	*	*
M0006108-001	17	VETRO CUPOLA	LAMP GLASS	*	*	*	*	*	*	*
ME005101-001	18	LAMPADA 9 LED 12VAC	9 LED LAMP 12VAC	*	*	*	*	*	*	*
LAMPADA10W	19	LAMPADA 10Watt/12Vac	LAMP 10Watt/12Vac	*	*	*	*	*	*	*
VTTC2.9X9.5CR	20	VITE TC 2.9X9.5MM CROCE	SCREW TC 2.9X9.5	*	*	*	*	*	*	*
M0005109-001	21	LAMELLA 12Vac CUPOLA	12V CONTACT FOR TANK	*	*	*	*	*	*	*
M0006129-001	22	ADESIVO ELMECO CUPOLA	PLASTIC LENS STICKER	*	*	*	*	*	*	*
M0006193-004	24	CUPOLA NERO NUOVA	BLACK LID NEW	*	*	*	*	*	*	*
M0006193-005	24	CUPOLA GIALLO NUOVA	YELLOW LID NEW	*	*	*	*	*	*	*
M0006193-006	24	CUPOLA BLU NUOVA	BLUE LID NEW	*	*	*	*	*	*	*
M0006125-019	27	CUPOLA COMPLETA NERO 10W KEC	KEC BLACK TOP LIGHT COVER COMPLETE	*	*	*	*	*	*	*
M0006125-017	27	CUPOLA COMPLETA NERO 10W SENZA ADESIVI	BLACK TOP LIGHT COVER COMPLETE NO STICKERS	*	*	*	*	*	*	*

**FIRST CLASS: Listino Ricambi\Spare Part Price List 2018 Rev.07**

"NOTA ! I prezzi in dollari sono dedicati al Mercato Americano  
NOTE ! The prices in Dollars are dedicated to the America Market"

CODICE	ESP	DESCRIZIONE	DESCRIPTION	FC1	FC2	FC3	115/ 60	230/ 50	220/ 60	100/ 50- 100/ 60
M0006125-013	27	CUPOLA COMPLETA BLU 10W NESTLE'	NESTLE' BLU TOP LIGHT COVER COMPLETE 10W	*	*	*	*	*	*	*
M0006125-018	27	CUPOLA COMPLETA BLU 10W SENZA ADESIVI	BLU TOP LIGHT COVER COMPLETE NO STICKERS	*	*	*	*	*	*	*
M0006125-005	27	CUPOLA COMPLETA NERO 10W	BLACK TOP LIGHT COVER COMPLETE	*	*	*	*	*	*	*
M0006125-007	27	CUPOLA COMPLETA SLUSH PUPPIE CANADA 10W	SLUSH PUPPIE CANADA TOP LIGHT COVER COMPLETE	*	*	*	*	*	*	*
M0006125-008	27	CUPOLA COMPLETA GIALLO 10W	YELLOW TOP LIGHT COVER COMPLETE	*	*	*	*	*	*	*
M0006125-012	27	CUPOLA COMPLETA BLU 10W	BLU TOP LIGHT COVER COMPLETE 10W	*	*	*	*	*	*	*
M0006125-002	27	CUPOLA COMPLETA AMARANTO 10W	RED TOP LIGHT COVER COMPLETE	*	*	*	*	*	*	*
M0000107-001	28	GHIERA FISSAGGIO ELICA VERTICALE FC/BB	FC/BB RING NUT VERTICAL PROPELLER	*	*	*	*	*	*	*
M0000108-001	29	ALBERO TRASMISSIONE CON DADO	TRANSMISSION SHAFT WITH NUT	*	*	*	*	*	*	*
M0004111-001	30	ELICA VERTICALE COMPLETA DI BOCCOLA INOX	VERTICAL AUGER COMPLETE OF BUSHING	*	*	*	*	*	*	*
M0004104-001	32	PIGNONE ELICA VERTICALE FINO A MATRICOLA 140502075	PINION VERTICAL AUGER UNTIL S/N 140502075	*	*	*	*	*	*	*
M0004104-002	32	PIGNONE ELICA VERTICALE A PARTIRE DALLA MATRICOLA 140502076	PINION VERTICAL AUGER FROM S/N 140502076	*	*	*	*	*	*	*
M0000104-001	33	BOCCOLA CANOTTO TRASMISSIONE	BUSHING TRANSMISSION SHAFT	*	*	*	*	*	*	*
M0000161-002	34	KIT CANOTTO TRASMISSIONE COMPLETO BOCCOLA+O-RING VERSIONE 2014	TRANSMISSION SHAFT WITH SLEEVE+ORING 2014 VERSION	*	*	*	*	*	*	*
A0001104-001	35	SPINA BLOCCAGGIO MOTOR./ALBERO TRASMISSIONE	GEAR MOTOR/TRANSMISSION SHAFT PIN	*	*	*	*	*	*	*
A0000114-001	36	GUARNIZIONE O-RING CANOTTO TRASMISSIONE VERSIONE 2012	TRANSMISSION SHAFT ORING 2012 VERSION	*	*	*	*	*	*	*



**FIRST CLASS: Listino Ricambi\Spare Part Price List 2018 Rev.07**

"NOTA ! I prezzi in dollari sono dedicati al Mercato Americano  
NOTE ! The prices in Dollars are dedicated to the America Market"

CODICE	ESP	DESCRIZIONE	DESCRIPTION	FC1	FC2	FC3	115/ 60	230/ 50	220/ 60	100/ 50- 100/ 60
M0000114-001	36	GUARNIZIONE CANOTTO TRASMISSIONE	TRANSMISSION SHAFT GASKET	*	*	*	*	*	*	*
M0005117-004	37	MORSETTIERA FASTON COMPLETA NERO	BLACK TERMINAL BOARD COMPLETE	*	*	*	*	*	*	*
M0006103-003	38	CERNIERA POSTERIORE NERO	BLACK REAR HINGE	*	*	*	*	*	*	*
M0000120-001	39	DADO QUADRO M5 ZINCATO	M5 SQUARE NUT	*	*	*	*	*	*	*
M0001101-001	40	VITE TE FLANGIATA M5X12MM	SCREW TE 5X12MM	*	*	*	*	*	*	*
M0000105-001	41	GHIERA FISSAGGIO CANOTTO	RING NUT SHAFT FASTENING	*	*	*	*	*	*	*
M0002112-007	42	ASSIEME VASCA COMPLETA NERO	BLACK COMPLETE INOX TANK	*	*	*	*	*	*	*
M0000157-002	43	ASSIEME SONDA TERMOSTATO ELETTRONICO	ELECTRONIC THERMOSTAT PROBE COMPLETE	*	*	*	*	*	*	*
M0004105-002	45	PIGNONE ELICA ORIZZONTALE	HORIZONTAL AUGER GEAR	*	*	*	*	*	*	*
M0004110-002	46	ELICA ORIZZONTALE COMPLETA DI BOCCOLA VERS. 2012	HORIZONTAL AUGER COMPLETE OF BUSHING 2012 VERS.	*	*	*	*	*	*	*
M0006116-003	47	BASE NERO	BLACK BASE	*	*	*	*	*	*	*
M0006102-003	48	GANCIO CERNIERA NERO	BLACK HINGE HOOK	*	*	*	*	*	*	*
M0006115-003	49	CERNIERA ANTERIORE NERO	BLACK FRONT HINGE	*	*	*	*	*	*	*
M0006119-001	50	MANOPOLA FISSAGGIO GANCI M5X25mm	LOCKING BOLT	*	*	*	*	*	*	*
M0000122-001	52	VITE TCEI M6X12MM	SCREW 6X12	*	*	*	*	*	*	*
BOYLERM2CAP	60	BOYLER FC2 (3MTX1.06MM)	FC2 ACCUMULATOR (3MTX1.06MM)		*		*	*	*	*
BOYLERM3CAP	60	BOYLER FC3 (5MTX1.06MM)	FC3 ACCUMULATOR (5MTX1.06MM)			*	*	*	*	*
M0102112-001	60	BOYLER FC1	FC1 ACCUMULATOR	*			*	*	*	*
M0006161-001	61	PANNELLO POSTERIORE INOX CON ASOLE 42°	BACK STAINLESS STEEL PANEL WITH HOLES - 42°C		ML_ R	ML_ TR		*	*	
M0006112-001	61	PANNELLO POSTERIORE INOX CON ALETTATURA	BACK STAINLESS STEEL PANEL WITH LOUVERS		ML_ A	ML_ A	*	*	*	*
M0006112-001	61	PANNELLO POSTERIORE INOX CON ALETTATURA	BACK STAINLESS STEEL PANEL WITH LOUVERS		ML_ W	ML_ W	*	*	*	*
M0106108-001	61	PANNELLO POSTERIORE INOX CON ASOLE FC1	BACK STAINLESS STEEL PANEL WITH HOLES - FC1	*			*	*	*	*
M0006124-001	62	VITE TC 3.9X9.5MM CROCE	SCREW 3.9X9.5	*	*	*	*	*	*	*

**FIRST CLASS: Listino Ricambi\Spare Part Price List 2018 Rev.07**

"NOTA ! I prezzi in dollari sono dedicati al Mercato Americano  
NOTE ! The prices in Dollars are dedicated to the America Market"

CODICE	ESP	DESCRIZIONE	DESCRIPTION	FC1	FC2	FC3	115/ 60	230/ 50	220/ 60	100/ 50- 100/ 60
M0006192-004	63	KIT FIANCHI DX+SX NERO	KIT PLASTIC PANEL RIGHT\LEFT BLACK	*	*	*	*	*	*	*
M0006192-005	63	KIT FIANCHI DX+SX GIALLO	KIT PLASTIC PANEL RIGHT\LEFT YELLOW	*	*	*	*	*	*	*
M0006192-006	63	KIT FIANCHI DX+SX BLU	KIT PLASTIC PANEL RIGHT\LEFT BLUE	*	*	*	*	*	*	*
M0006192-002	63	KIT FIANCHI DX+SX AMARANTO	KIT PLASTIC PANEL RIGHT\LEFT VIOLET	*	*	*	*	*	*	*
M0006113-001	64	PANNELLO LATERALE DX INOX CON ALETTATURA	RIGHT SIDE STAINLESS STEEL PANEL WITH LOUVERS	ML_ A	ML_ W	ML_ W	*	*	*	*
M0006126-001	64	PANNELLO LATERALE DX INOX CON ASOLE (LATO CONDENSATORE)	RIGHT SIDE STAINLESS STEEL PANEL (CONDENSER SIDE)		ML_ A	ML_ A	*	*	*	*
M0006159-001	64	PANNELLO LATERALE DX INOX CON ASOLE 42°C (LATO CONDENSATORE)	RIGHT SIDE PANEL WITH HOLES (CONDENSER SIDE) - 42°C	ML_ TR	ML_ T R	ML_ TR	*	*	*	*
A0006102-001	65	MANOPOLA FISSAGGIO PANNELLO LATERALE M4X10MM	KNOB SIDE PANEL		*	*	*	*	*	*
M0006198-001	68	PANNELLO INOX LATERALE SX FC CON ALETTATURA E FORI INTERRUTTORE-SPIA PRESSOSTATO	LEFT SIDE PANEL WITH LOUVERS AND MAIN SWITCH+PRESSURE SWITCH LIGHT	ML_ A	ML_ A	ML_ A	*	*	*	*
M0006198-001	68	PANNELLO INOX LATERALE SX FC CON ALETTATURA E FORI INTERRUTTORE-SPIA PRESSOSTATO	LEFT SIDE PANEL WITH LOUVERS AND MAIN SWITCH+PRESSURE SWITCH LIGHT		ML_ W	ML_ W	*	*	*	*
I82L2206165	69	INTERRUTTORE GENERALE	MAIN SWITCH	*	*	*	*	*	*	*
TSC8X11	70	TUBO SCARICO CONDENSA f 8X11MM	DRAIN SILICON TUBE f 8X11MM	*	*	*	*	*	*	*
B06.031C	71	ATTACCO SCARICO CONDENSA	DRAIN PLASTIC CONNECTION	*	*	*	*	*	*	*
A0005104-001	72	SPIA PRESSOSTATO 230V	COMPRESSOR WARNING LIGHT 230V	*	*	*		*	*	
A0005105-001	72	SPIA PRESSOSTATO 115V	COMPRESSOR WARNING LIGHT 115V	*	*	*	*			*

**FIRST CLASS: Listino Ricambi\Spare Part Price List 2018 Rev.07**

"NOTA ! I prezzi in dollari sono dedicati al Mercato Americano  
NOTE ! The prices in Dollars are dedicated to the America Market"

CODICE	ESP	DESCRIZIONE	DESCRIPTION	FC1	FC2	FC3	115/ 60	230/ 50	220/ 60	100/ 50- 100/ 60
M0005148-001	73	ELETTRONICA COMPLETA MILLENNIUM INGLESE "MODULO VASCA"	MILLENNIUM ELECTRONIC BOARD ENGLISH	ML_ ALL	ML_ ALL	ML_ ALL	*	*	*	*
M0005148-002	73	ELETTRONICA COMPLETA MILLENNIUM SPAGNOLO "MODULO VASCA"	MILLENNIUM ELECTRONIC BOARD SPANISH	ML_ ALL	ML_ ALL	ML_ ALL	*	*	*	*
M0005148-006	73	ELETTRONICA COMPLETA MILLENNIUM INGLESE "MODULO VASCA" <b>LEVITT</b>	MILLENNIUM ELECTRONIC BOARD ENGLISH - LEVITT	ML_ ALL	ML_ ALL	ML_ ALL	*	*	*	*
M0105101-001	74	IMPIANTO ELETTRICO FC1 TRADIZIONALE	TRADITIONAL ELECTRICAL WIRING FC1	ST_A LL			*	*	*	*
M0205101-001	74	IMPIANTO ELETTRICO FC2 TRADIZIONALE	TRADITIONAL ELECTRICAL WIRING FC2		ST_A LL		*	*	*	*
M0305101-001	74	IMPIANTO ELETTRICO FC3 TRADIZIONALE	TRADITIONAL ELECTRICAL WIRING FC3			ST_A LL	*	*	*	*
M0205103-002	74	IMPIANTO ELETTRICO FC2 MILLENNIUM	MILLENNIUM ELECTRICAL WIRING FC2		ML_ ALL		*	*	*	*
M0305103-002	74	IMPIANTO ELETTRICO FC3 MILLENNIUM	MILLENNIUM ELECTRICAL WIRING FC3			ML_ ALL	*	*	*	*
M0105103-001	74	IMPIANTO ELETTRICO FC1 MILLENNIUM	MILLENNIUM ELECTRICAL WIRING FC1	ML_ ALL			*	*	*	*
M0005135-001	75	VITE TSP 2.9X9.5MM CROCE	SCREW 2.9X9.5	*	*	*	*	*	*	*
M0006111-002	76	PANNELLO FRONTALE INOX	STAINLESS STEEL FRONT PANEL	*	*	*	*	*	*	*
M0006110-004	77	SGOCCIOLATOIO CONDENZA NERO	BLACK DRIP TRAY	*	*	*	*	*	*	*
M0006117-001	78	GRIGLIA SGOCCIOLATOIO ABS NERO FC	PLASTIC BLACK DRIP TRAY	*	*	*	*	*	*	*
M0005127-003	79	ELETTR. FC MILL + KIT UPGRADE STD	ELECTR. FC MILL + KIT UPGRADE STD	ST_A LL	ST_A LL	ST_A LL	*	*	*	*
A5405102-001	80	RELE' COMPRESSORE NEK2125GK 115V/60HZ-100V/50HZ 2283039	RELAY NEK2125GK 115V/60HZ- 100V/50HZ 2283039	*			*			*
A2405101-001	80	RELE' COMPRESSORE EMT2130GK 220-240V/50HZ	RELAY EMT2130GK 220-240V/50HZ	*				*		

# FIRST CLASS: Listino Ricambi\Spare Part Price List 2018 Rev.07

"NOTA ! I prezzi in dollari sono dedicati al Mercato Americano  
NOTE ! The prices in Dollars are dedicated to the America Market"

CODICE	ESP	DESCRIZIONE	DESCRIPTION	FC1	FC2	FC3	115/ 60	230/ 50	220/ 60	100/ 50- 100/ 60
A2605101-001	80	RELE' COMPRESSORE T2180GK 220-240V/50Hz 1253010	RELAY T2168GK 220-240V/50Hz 1253010		*	*		*		
A3605101-001	80	RELE' COMPRESSORE T2180GK 208-230V/60Hz 1253019	RELAY T2180GK 208-230V/60Hz 1253019		*	*			*	
M2605101-001	80	RELE' COMPRESSORE NT2178GK 220-240V/50HZ 1253012	RELAY NT2178GK 220-240V/50HZ 1253012		*	*		*		
M2605103-001	80	RELE' COMPRESSORE NT2192GK 220-240V/50HZ 1253022	RELAY NT2192GK 220-240V/50HZ 1253022		*	*		*		
M3605101-001	80	RELE' COMPRESSORE NT2192GK 208-230V/60HZ 1253026	RELAY NT2192GK 208-230V/60HZ 1253026		*	*			*	
CLI2283038	80	RELE' COMPRESSORE T2168GK 220-240V/50Hz	RELAY T2168GK 220-240V/50Hz		*	*		*		
A3405102-001	80	RELE' COMPRESSORE NEK2134GK 208-230V/60HZ 2271121	RELAY NEK2134GK 208-230V/60HZ 2271121	*					*	
CLI2283002	80	RELE' COMPRESSORE NE2125GK 220-240V/50HZ	RELAY NE2125GK 220-240V/50HZ	*				*		
CLI2283002	80	RELE' COMPRESSORE NE2125GK 220-240V/50HZ	RELAY NE2125GK 220-240V/50HZ	*				*		
M5605101-001	80	RELE' COMPRESSORE NT2178GK 115V/60HZ 1253050	RELAY NT2178GK 115V/60HZ 1253050		*	*	*			
COND2252096	81	CONDENSATORE AVVIAMENTO COMPRESSORE NE2125GK 115V/60Hz-100V/50HZ	START CAPACITOR NE2125GK 115V/60Hz-100V/50HZ	*			*			*
A2405103-001	81	CONDENSATORE AVVIAMENTO COMPRESSORE EMT2130GK 220-240V/50HZ	START CAPACITOR EMT213025GK 220-240V/50HZ	*				*		
COND2252031	81	CONDENSATORE AVVIAMENTO COMPRESSORE T2168GK 220-240V/50Hz	START CAPACITOR T2168GK 220-240V/50Hz		*	*		*		
A2605102-001	81	CONDENSATORE AVVIAMENTO COMPRESSORE T2180GK 220-240V/50Hz 2252274	START CAPACITOR T2180GK 220-240V/50Hz 2252274		*	*		*		

**FIRST CLASS: Listino Ricambi\Spare Part Price List 2018 Rev.07**

"NOTA ! I prezzi in dollari sono dedicati al Mercato Americano  
NOTE ! The prices in Dollars are dedicated to the America Market"

CODICE	ESP	DESCRIZIONE	DESCRIPTION	FC1	FC2	FC3	115/ 60	230/ 50	220/ 60	100/ 50- 100/ 60
M2605105-001	81	CONDENSATORE AVVIAMENTO NT2192GK 220-240V/50HZ 2252329	START CAPACITOR NT2192GK 220- 240V/50HZ 2252329		*	*		*		
M5605104-001	81	CONDENSATORE MARCIA NT2178GK 115V/60HZ 2253315	RUN CAPACITOR NT2178GK 115V/60HZ 2253315		*	*	*			
COND2252084	81	CONDENSATORE AVVIAMENTO COMPRESSORE T2168GK 115V/60Hz 2252281	START CAPACITOR T2168GK 115V/60Hz 2252281		*	*	*			
MD605101-001	81	CONDENSATORE AVVIAMENTO T2180GK 208-230V/60HZ _ NT2178GK 220-240V/50HZ _ NT2192GK 208-230V/60HZ 2252269	START CAPACITOR T2180GK 208- 230V/60HZ _ NT2178GK 220- 240V/50HZ _ NT2192GK 208- 230V/60HZ 2252269		*	*		*	*	
A5405103-001	81	CONDENSATORE AVVIAMENTO COMPRESSORE NEK2125GK 115V/60HZ-100V/50HZ 2252217	START CAPACITOR NEK2125GK 115V/60HZ-100V/50HZ 2252217	*			*			*
M5605103-001	81	CONDENSATORE AVVIAMENTO NT2178GK 115V/60HZ 2252273	START CAPACITOR NT2178GK 115V/60HZ 2252273		*	*	*			
A3405103-001	81	CONDENSATORE AVVIAMENTO COMPRESSORE NEK2134GK 208- 230V/60HZ 2252325	START CAPACITOR NEK2134GK 208- 230V/60HZ 2252325	*					*	
COND2252092	81	CONDENSATORE AVVIAMENTO COMPRESSORE NE2125GK 220- 240V/50HZ	START CAPACITOR NE2125GK 220- 240V/50HZ	*				*		
A3605102-001	81	CONDENSATORE MARCIA T2180GK 220-240V/50HZ _ T2180GK 208- 230V/60HZ _ NT2178GK 220- 240V/50HZ _ NT2192GK 220- 240V/50HZ _ NT2192GK 208- 230V/60HZ 2253310	RUN CAPACITOR T2180GK 220- 240V/50HZ _ T2180GK 208- 230V/60HZ _ NT2178GK 220- 240V/50HZ _ NT2192GK 220- 240V/50HZ _ NT2192GK 208- 230V/60HZ 2253310		*	*		*	*	
A2405102-001	82	PROTETTORE TERMICO COMPRESSORE EMT2130GK 220- 240V/50HZ	THERMAL PROTECTOR EMT2130GK 220-240V/50HZ	*				*		

**FIRST CLASS: Listino Ricambi\Spare Part Price List 2018 Rev.07**

"NOTA ! I prezzi in dollari sono dedicati al Mercato Americano  
NOTE ! The prices in Dollars are dedicated to the America Market"

CODICE	ESP	DESCRIZIONE	DESCRIPTION	FC1	FC2	FC3	115/ 60	230/ 50	220/ 60	100/ 50- 100/ 60
TER2319027	82	PROTETTORE TERMICO COMPRESSORE NE2125E 220- 240V/50Hz T0660-G5	THERMAL PROTECTOR NE2125E 220-240V/50Hz T0660-G5	*				*		
TER2285148	82	PROTETTORE TERMICO COMPRESSORE T2140E 208- 230V/60Hz	THERMAL PROTECTOR T2140E 208- 230V/60Hz		*				*	
TER2297003	82	PROTETTORE TERMICO COMPRESSORE T2168GK 115V/60Hz 2297003	THERMAL PROTECTOR T2168GK 115V/60Hz 2297003		*	*	*			
TER2285164	82	PROTETTORE TERMICO COMPRESSORE T2168GK 220- 240V/50Hz	THERMAL PROTECTOR T2168GK 220-240V/50Hz		*	*		*		
M5605102-001	82	PROTETTORE TERMICO NT2178GK 115V/60HZ 2291058	THERMAL PROTECTOR NT2178GK 115V/60HZ 2291058		*	*	*			
M2605102-001	82	PROTETTORE TERMICO NT2178GK 220-240V/50HZ 2321110	THERMAL PROTECTOR NT2178GK 220-240V/50HZ 2321110		*	*		*		
M2605104-001	82	PROTETTORE TERMICO NT2192GK 220-240V/50HZ 2321105	THERMAL PROTECTOR NT2192GK 220-240V/50HZ 2321105		*	*		*		
M3605102-001	82	PROTETTORE TERMICO NT2192GK 208-230V/60HZ 2321091	THERMAL PROTECTOR NT2192GK 208-230V/60HZ 2321091		*	*			*	
A3405101-001	82	PROTETTORE TERMICO COMPRESSORE NEK2134GK 208- 230V/60HZ 2324009	THERMAL PROTECTOR NEK2134GK 208-230V/60HZ 2324009	*					*	
TER2321004	82	PROTETTORE TERMICO COMPRESSORE NE2125GK 115V/60HZ-100V/50HZ	THERMAL PROTECTOR NE2125GK 115V/60HZ-100V/50HZ	*			*			*
TER2321048	82	PROTETTORE TERMICO COMPRESSORE NE2125GK 220- 240V/50HZ	THERMAL PROTECTOR NE2125GK 220-240V/50HZ	*				*		

**FIRST CLASS: Listino Ricambi\Spare Part Price List 2018 Rev.07**

"NOTA ! I prezzi in dollari sono dedicati al Mercato Americano  
NOTE ! The prices in Dollars are dedicated to the America Market"

CODICE	ESP	DESCRIZIONE	DESCRIPTION	FC1	FC2	FC3	115/ 60	230/ 50	220/ 60	100/ 50- 100/ 60
A5405101-001	82	PROTETTORE TERMICO COMPRESSORE NEK2125GK 115V/60HZ-100V/50HZ 2321080	THERMAL PROTECTOR NEK2125GK 115V/60HZ-100V/50HZ 2321080	*			*			*
C013COD.1373	83	CAVO ALIMENTAZIONE SCHUKO 230V	SCHUKO POWER CORD	*	*	*		*	*	
ASS.CAVO-SPINA	83	CAVO ALIMENTAZIONE UK 13A/250VAC	POWER CORD FOR UK	*	*	*		*		
CAVOAL.UL15ALAV	83	CAVO ALIMENTAZIONE 115V U.L.	POWER CORD 115 V U.L. FOR USA	*	*	*	*			*
FFLC560501	84	FILTRO ANTIDISTURBO	SUPPRESSOR FILTER	*	*	*		*		
M0005112-001	85	MORSETTIERA PA84/E	CONNECTION FOR SUPPLYING WIRING	*	*	*	*	*	*	*
A6005101-001	86	TRASFORMATORE 100/12Vac 60VA	TRANSFORMER 60VA 100V	*	*	*				*
A0005112-001	86	TRASFORMATORE 115-230/12Vac 40VA	TRANSFORMER 60VA 115- 230/12Vac	*	*	*	*	*	*	
A2402102-001	87	COMPRESSORE EMT2130GK 220- 240V/50HZ	EMT2130GK 220-240V/50HZ COMPRESSOR	*				*		
A5402101-001	87	COMPRESSORE NEK2125GK 115V/60HZ-100V/50HZ	NEK2125GK 115V/60HZ-100V/50HZ COMPRESSOR	*			*			
A3402101-001	87	COMPRESSORE NEK2134GK 208- 230V/60HZ	NEK2134GK 208-230V/60HZ COMPRESSOR	*					*	
C971IA5166AD	87	COMPRESSORE NE2125GK 220- 240V/50HZ	NE2125GK 220-240V/50HZ COMPRESSOR	*				*		
M5602101-001	87	COMPRESSORE NT2178GK 115/60 922EG0204AF CSCR	COMPRESSOR NT2178GK 115/60 922EG0204AF CSCR		ST_A	ST_A	*			
M5602101-001	87	COMPRESSORE NT2178GK 115/60 922EG0204AF CSCR	COMPRESSOR NT2178GK 115/60 922EG0204AF CSCR		ST_W	ST_W	*			
M5602101-001	87	COMPRESSORE NT2178GK 115/60 922EG0204AF CSCR	COMPRESSOR NT2178GK 115/60 922EG0204AF CSCR		ST_T R		*			
M5602101-001	87	COMPRESSORE NT2178GK 115/60 922EG0204AF CSCR	COMPRESSOR NT2178GK 115/60 922EG0204AF CSCR		ML_A	ML_A	*			
M5602101-001	87	COMPRESSORE NT2178GK 115/60 922EG0204AF CSCR	COMPRESSOR NT2178GK 115/60 922EG0204AF CSCR		ML_W	ML_W	*			

# FIRST CLASS: Listino Ricambi\Spare Part Price List 2018 Rev.07

"NOTA ! I prezzi in dollari sono dedicati al Mercato Americano  
NOTE ! The prices in Dollars are dedicated to the America Market"

CODICE	ESP	DESCRIZIONE	DESCRIPTION	FC1	FC2	FC3	115/ 60	230/ 50	220/ 60	100/ 50- 100/ 60
M5602101-001	87	COMPRESSORE NT2178GK 115/60 922EG0204AF CSCR	COMPRESSOR NT2178GK 115/60 922EG0204AF CSCR		ML_T R		*			
M3602102-001	87	COMPRESSORE NT2192GK 230/60 923ED0404AF CSCR	COMPRESSOR NT2192GK 230/60 923ED0404AF CSCR		ST_T R	ST_T R			*	
M3602102-001	87	COMPRESSORE NT2192GK 230/60 923ED0404AF CSCR	COMPRESSOR NT2192GK 230/60 923ED0404AF CSCR		ML_T R	ML_ TR			*	
M2602102-001	87	COMPRESSORE NT2178GK 220/50 922EA0404AC CSCR	COMPRESSOR NT2178GK 220/50 922EA0404AC CSCR		ST_A	ST_A		*		
M2602102-001	87	COMPRESSORE NT2178GK 220/50 922EA0404AC CSCR	COMPRESSOR NT2178GK 220/50 922EA0404AC CSCR		ST_ W	ST_ W		*		
M2602102-001	87	COMPRESSORE NT2178GK 220/50 922EA0404AC CSCR	COMPRESSOR NT2178GK 220/50 922EA0404AC CSCR		ML_ A	ML_ A		*		
M2602102-001	87	COMPRESSORE NT2178GK 220/50 922EA0404AC CSCR	COMPRESSOR NT2178GK 220/50 922EA0404AC CSCR		ML_ W	ML_ W		*		
M2602103-001	87	COMPRESSORE NT2192GK 220/50 923EA0404AC CSCR	COMPRESSOR NT2192GK 220/50 923EA0404AC CSCR		ST_T R	ST_T R		*		
M2602103-001	87	COMPRESSORE NT2192GK 220/50 923EA0404AC CSCR	COMPRESSOR NT2192GK 220/50 923EA0404AC CSCR		ML_T R	ML_ TR		*		
F11584	88	FUSIBILE Φ 5X20MM 5A RITARDATO	FUSE 5A 5X20	*	*	*	*	*	*	*
AA005102-001	89	BOBINA 120/50-60 UL 11000BH/G6IU-2 OLAB	OLAB COIL 120/50-60 UL 11000BH/G6IU-2	*	*	*	*			
AD005103-001	89	BOBINA 230/50-60 CE 6000BH/K5FN OLAB	OLAB COIL 230/50-60 CE 6000BH/K5FN	*	*	*		*	*	
AA605101-001	89	BOBINA 5C R04/RP1 100-120/50- 60HZ UR CEME	CEME COIL 5C R04/RP1 100-120/50- 60HZ UR	*	*	*	*			*
AF005102-001	89	BOBINA 100/50-60 CE 6000BH/E1FN OLAB	OLAB COIL 100/50-60 CE 6000BH/E1FN	*	*	*				*
AD605101-001	89	BOBINA 5C R1T/RP1 208-240V/50- 60HZ UR CEME	CEME COIL 5C R1T/RP1 208- 240V/50-60HZ UR	*	*	*		*	*	
A0005103-001	90	FUSIBILE Φ 5X20MM 315mA RAPIDO	FUSE F315MA 5X20	*	*	*	*	*	*	*
A0102103-002	91	CORPO VALVOLA 1 VIA OLAB	OLAB 1 WAY BODY VALVE	*			*	*	*	*



**FIRST CLASS: Listino Ricambi\Spare Part Price List 2018 Rev.07**

"NOTA ! I prezzi in dollari sono dedicati al Mercato Americano  
NOTE ! The prices in Dollars are dedicated to the America Market"

CODICE	ESP	DESCRIZIONE	DESCRIPTION	FC1	FC2	FC3	115/ 60	230/ 50	220/ 60	100/ 50- 100/ 60
A0202101-001	91	BLOCCHETTO VALVOLE 2 VIE CEME	CEME 2 WAY BODY VALVE		*	*	*	*	*	*
A0202102-001	91	BLOCCHETTO VALVOLE 2 VIE OLAB	OLAB 2 WAY BODY VALVE		*	*	*	*	*	*
A0302101-001	91	BLOCCHETTO VALVOLE 3 VIE NC DN1,2 8461-R OLAB	OLAB 3 WAY BODY VALVE NC DN1,2 8461-R		*	*	*	*	*	*
A0302102-001	91	BLOCCHETTO VALVOLE 3 VIE CEME	CEME 3 WAY BODY VALVE		*	*	*	*	*	*
A0002113-001	92	FILTRO CU GR20 IN/OUT 6.2MM	DRYER	*			*	*	*	*
M0602115-001	92	FILTRO SOLID CORE IN/OUT 6.2MM	DRYER SOLID CORE		*	*	*	*	*	*
A0002101-001	93	PRESSOSTATO R404A	R404A PRESSURE SWITCH	*	*	*	*	*	*	
P0002118-001	93	PRESSOSTATO R134A	R134A PRESSURE SWITCH	*	*					*
TEEDIRAMED6	94	TEE RAME D.6	D.6 CUPPER TEE	*	*	*	*	*	*	*
C082036007	95	CONDENSATORE ARIA FERRO STFT 16224	IRON CONDENSER STFT 16224		ST_A	ST_A	*	*	*	*
C082036007	95	CONDENSATORE ARIA FERRO STFT 16224	IRON CONDENSER STFT 16224		ML_ A	ML_ A	*	*	*	*
M0102111-001	95	CONDENSATORE ARIA FERRO STFT 14T 2R 145 A" FC1	IRON CONDENSER STFT 14T 2R 145A" FC1	*			*	*	*	*
M0602103-001	95	CONDENSATORE ARIA FERRO STFT 18224/245	IRON CONDENSER STFT 18224/245		ST_T R	ST_T R	*	*	*	
M0602103-001	95	CONDENSATORE ARIA FERRO STFT 18224/245	IRON CONDENSER STFT 18224/245		ML_T R	ML_ TR	*	*	*	
V4012255	96	VENTOLA ALLUMINIO 254/25°	ALUMINUM FAN BLADE 254/25°		ST_A					*
V4012255	96	VENTOLA ALLUMINIO 254/25°	ALUMINUM FAN BLADE 254/25°		ML_ A					*
M0102110-001	96	VENTOLA ALLUMINIO 172/34°	ALUMINUM FAN BLADE 172/34°	*			*	*	*	*
V4012016M3/2	96	VENTOLA ALLUMINIO 254/31°	ALUMINUM FAN BLADE 254/31°			ST_A	*	*		
V4012016M3/2	96	VENTOLA ALLUMINIO 254/31°	ALUMINUM FAN BLADE 254/31°		ST_T R	ST_T R	*	*	*	
V4012016M3/2	96	VENTOLA ALLUMINIO 254/31°	ALUMINUM FAN BLADE 254/31°			ML_ A	*	*		

# FIRST CLASS: Listino Ricambi\Spare Part Price List 2018 Rev.07

"NOTA ! I prezzi in dollari sono dedicati al Mercato Americano  
NOTE ! The prices in Dollars are dedicated to the America Market"

CODICE	ESP	DESCRIZIONE	DESCRIPTION	FC1	FC2	FC3	115/ 60	230/ 50	220/ 60	100/ 50- 100/ 60
V4012016M3/2	96	VENTOLA ALLUMINIO 254/31°	ALUMINUM FAN BLADE 254/31°		ML_T R	M_T R	*	*	*	
V4012201M3WBM	96	VENTOLA ALLUMINIO 200/34°	ALUMINUM FAN BLADE 200/34°		ST_ W	ST_ W	*	*	*	*
V4012201M3WBM	96	VENTOLA ALLUMINIO 200/34°	ALUMINUM FAN BLADE 200/34°		ML_ W	ML_ W	*	*	*	*
G0005102-001	97	STAFFA SUPPORTO TIMER	TIMER SUPPORT	*	*	*	*	*	*	*
T027600231	98	TIMER 110V/50-60HZ	TIMER 110V/50-60HZ	ST_A	ST_A	ST_A	*			*
T027600231	98	TIMER 110V/50-60HZ	TIMER 110V/50-60HZ	ST_T R	ST_T R	ST_T R	*			*
T027600231	98	TIMER 110V/50-60HZ	TIMER 110V/50-60HZ	ML_ A	ML_ A	ML_ A	*			*
T027600231	98	TIMER 110V/50-60HZ	TIMER 110V/50-60HZ	ML_ TR	ML_T R	ML_ TR	*			*
T027600231	98	TIMER 110V/50-60HZ	TIMER 110V/50-60HZ		ST_ W	ST_ W	*			*
T027600231	98	TIMER 110V/50-60HZ	TIMER 110V/50-60HZ		ML_ W	ML_ W	*			*
AD605102-001	99	MOTOVENTILATORE 82CE-3016/41 230V/50-60HZ	FAN MOTOR 82CE-3016/41 230V/50-60HZ		ST_A	ST_A		*	*	
AD605102-001	99	MOTOVENTILATORE 82CE-3016/41 230V/50-60HZ	FAN MOTOR 82CE-3016/41 230V/50-60HZ		ST_T R	ST_T R		*	*	
AD605102-001	99	MOTOVENTILATORE 82CE-3016/41 230V/50-60HZ	FAN MOTOR 82CE-3016/41 230V/50-60HZ		ML_ A	ML_ A		*	*	
AD605102-001	99	MOTOVENTILATORE 82CE-3016/41 230V/50-60HZ	FAN MOTOR 82CE-3016/41 230V/50-60HZ		ML_T R	ML_ TR		*	*	
A5605102-001	99	MOTOVENTILATORE 82UL-3016/29 115V/60HZ	FAN MOTOR 82UL-3016/29 115V/60HZ		ST_A	ST_A	*			*
A5605102-001	99	MOTOVENTILATORE 82UL-3016/29 115V/60HZ	FAN MOTOR 82UL-3016/29 115V/60HZ		ST_T R	ST_T R	*			
A5605102-001	99	MOTOVENTILATORE 82UL-3016/29 115V/60HZ	FAN MOTOR 82UL-3016/29 115V/60HZ		ML_ A	ML_ A	*			*

# FIRST CLASS: Listino Ricambi\Spare Part Price List 2018 Rev.07

"NOTA ! I prezzi in dollari sono dedicati al Mercato Americano  
NOTE ! The prices in Dollars are dedicated to the America Market"

CODICE	ESP	DESCRIZIONE	DESCRIPTION	FC1	FC2	FC3	115/ 60	230/ 50	220/ 60	100/ 50- 100/ 60
A5605102-001	99	MOTOVENTILATORE 82UL-3016/29 115V/60HZ	FAN MOTOR 82UL-3016/29 115V/60HZ		ML_ R	ML_ TR	*			
AD005102-001	99	MOTOVENTILATORE 82CE-2010/77 230V/50-60HZ	FAN MOTOR 82CE-2010/77 230V/50-60HZ	*				*	*	
AD005102-001	99	MOTOVENTILATORE 82CE-2010/77 230V/50-60HZ	FAN MOTOR 82CE-2010/77 230V/50-60HZ		ST_ W	ST_ W		*	*	
AD005102-001	99	MOTOVENTILATORE 82CE-2010/77 230V/50-60HZ	FAN MOTOR 82CE-2010/77 230V/50-60HZ		ML_ W	ML_ W		*	*	
A5005101-001	99	MOTOVENTILATORE 82UL-2009/32 115V/60HZ	FAN MOTOR 82UL-2009/32 115V/60HZ	*			*			*
A5005101-001	99	MOTOVENTILATORE 82UL-2009/32 115V/60HZ	FAN MOTOR 82UL-2009/32 115V/60HZ		ST_ W	ST_ W	*			
A5005101-001	99	MOTOVENTILATORE 82UL-2009/32 115V/60HZ	FAN MOTOR 82UL-2009/32 115V/60HZ		ML_ W	ML_ W	*			
M0001104-001	100	STAFFA SUPPORTO SGOCCIOLATOIO	DRIP TRAY BRACKET	*	*	*	*	*	*	*
PAR114-ELGR	101	PIEDINO STANDARD	SMALL RUBBER FEET	*	*	*	*	*	*	*
A5601101-001	102	PIEDINO USA	U.S.A. FEET		*	*	*			*
DADOD.6ZFL	103	DADO M6 FLANGIATO	M6 NUT	*			*	*	*	*
DADOD.8ZFL	103	DADO M8 FLANGIATO	M8 NUT		*	*	*	*	*	*
VTTE6X12Z	104	VITE TE M6X12MM	SCREW 6X12	*			*	*	*	*
VTTE8X16Z	104	VITE TE M8X16MM	SCREW 8X16		*	*	*	*	*	*
M0005134-001	105	CORNICE CASSETTA PORTASCHEDA	BOARD BOX	*	*	*	*	*	*	*
M0003130-001	107	RESTRICTION RUBINETTO	OUTLET RESTRICTION	*	*	*	*	*	*	*
M0000144-001	109	RONDELLA DENTELLATA D.6,3 PER VITE MOTORIDUTTORE	WASHER FOR GEAR MOTOR'S SCREW D.6,3	*	*	*	*	*	*	*
A0005110-001	110	MORSETTIERA PRESSOSTATO 02303611001	PRESSURE SWITCH CONNECTION WIRES	*	*	*	*	*	*	*
M0000124-001	111	BUSTA COPERTURA MORSETTIERA	CONNECTION WIRES COVERING BAG	*	*	*	*	*	*	*
M0005142-001	112	KIT ELETTRICO CONDENSATORI RIFASAMENTO 115V	ELECTRICAL KIT OF CONDENSERS FOR POWER FACTOR IMPROVEMENT			*	*			

**FIRST CLASS: Listino Ricambi\Spare Part Price List 2018 Rev.07**

"NOTA ! I prezzi in dollari sono dedicati al Mercato Americano  
NOTE ! The prices in Dollars are dedicated to the America Market"

CODICE	ESP	DESCRIZIONE	DESCRIPTION	FC1	FC2	FC3	115/ 60	230/ 50	220/ 60	100/ 50- 100/ 60
M0005141-001	113	CONDENSATORE RIFASAMENTO	CONDENSER FOR POWER FACTOR IMPROVEMENT			*	*			
A0006103-001	115	ADESIVO LIVELLO MASSIMO	MAXIMUM LEVEL STICKERS	*	*	*	*	*	*	*
M0102116-001	117	CAPILLARE 1,06MMX2,5MT FC1	FC1 CAPILLARY 1,06MMX2,5MT	*						*
A0002105-001	117	CAPILLARE 0,91MMX2,75MT FC1	FC1 CAPILLARY 0,91MMX2,75MT	*			*	*	*	
M0005151-001	118	MORSETTIERA CAVO ALIMENTAZIONE	POWER CORD SCREW TERMINAL BOARD	*	*	*	*		*	*
C0005101-001	121	CAVO LETTORE MAGNETICO/OTTICO	OPTICAL/MAGNETIC READER WIRE	ST_A	ST_A	ST_A	*	*	*	*
B1071234	122	BUSSOLA TRASCINAMENTO MAGNETE ***SOLO PER MOTORE ELCO A PARTIRE DA PROD. 40-06***	MAGNET SLEEVE ***FOR ELCO GEAR MOTOR ONLY FROM PROD. 40-06***	*	*	*	*	*	*	*
M1551004	123	MAGNETE PERMANENTE ***SOLO PER MOTORE ELCO A PARTIRE DA PROD. 2002 ***	PERMANENT MAGNET ***FOR ELCO GEAR MOTOR ONLY FROM PROD. 2002***	*	*	*	*	*	*	*
A0000123-002	124	KITCONTENITORE COMPLETO DI SCHEDA CELLA HALL ELCO CON FILO	KIT COMPLETE PLASTIC COVER WITH HALL CELL ELCO	*	*	*	*	*	*	*
C025006	124	CELLA HALL KENTA	HALL CELL KENTA	*	*	*	*	*	*	*
M0005139-003	125	ASSIEME MOTORIDUTTORE CON CELLA DI HALL KENTA	COMPLETE GEAR MOTOR WITH HALL SENSOR KENTA	*	*	*	*	*	*	*
M0005139-002	125	ASSIEME MOTORIDUTTORE CON CELLA DI HALL ELCO	COMPLETE GEAR MOTOR WITH HALL SENSOR ELCO	*	*	*	*	*	*	*
M0004102-002	126	BOCCOLA ELICA ORIZZONTALE VERS. 2012	HORIZONTAL AUGER BUSHING 2012 VERS.	*	*	*	*	*	*	*
A0000117-001	127	BOCCOLA CENTRAGGIO MOTORID./ALBERO	GEAR MOTOR BUSHING	*	*	*	*	*	*	*
A0000115-001	128	VITE TE FLANGIATA M5X20MM	SCREW TE M5X20MM	*	*	*	*	*	*	*
M0003138-001	129	MANIGLIA DISABILE	HANDLE FOR DISABLE PEOPLE	*	*	*	*	*	*	*
M0004102-001	130	BOCCOLA ELICA ORIZZONTALE	HORIZONTAL AUGER BUSHING	*	*	*	*	*	*	*
A0005106-001	164	BLOCCHETTO X INTERRUTTORE SERIE 82	MOLEX CONNECTOR FOR MAIN SWITCH	*	*	*	*	*	*	*

**FIRST CLASS: Listino Ricambi\Spare Part Price List 2018 Rev.07**

"NOTA ! I prezzi in dollari sono dedicati al Mercato Americano  
NOTE ! The prices in Dollars are dedicated to the America Market"

CODICE	ESP	DESCRIZIONE	DESCRIPTION	FC1	FC2	FC3	115/ 60	230/ 50	220/ 60	100/ 50- 100/ 60
M0602112-001	200	ASSIEME TUBI RAME D.6MM CONDENSATORE ARIA-TEE-FILTRO FC2/3	KIT COPPER PIPE D.6MM AIR CONDENSER-TEE-FILTER FC2/3		ST_A	ST_A		*	*	*
M0602112-001	200	ASSIEME TUBI RAME D.6MM CONDENSATORE ARIA-TEE-FILTRO FC2/3	KIT COPPER PIPE D.6MM AIR CONDENSER-TEE-FILTER FC2/3		ST_T R	ST_T R		*	*	*
M0602112-001	200	ASSIEME TUBI RAME D.6MM CONDENSATORE ARIA-TEE-FILTRO FC2/3	KIT COPPER PIPE D.6MM AIR CONDENSER-TEE-FILTER FC2/3		ML_ A	ML_ A		*	*	*
M0602112-001	200	ASSIEME TUBI RAME D.6MM CONDENSATORE ARIA-TEE-FILTRO FC2/3	KIT COPPER PIPE D.6MM AIR CONDENSER-TEE-FILTER FC2/3		ML_T R	ML_ TR		*	*	*
M0102118-001	200	ASSIEME TUBI RAME D.6MM CONDENSATORE ARIA-TEE-FILTRO FC1	KIT COPPER PIPE D.6MM AIR CONDENSER-TEE-FILTER FC1	*				*	*	*
M5602102-001	200	ASSIEME TUBI RAME D.6MM CONDENSATORE ARIA-TEE-FILTRO FC2/3	KIT COPPER PIPE D.6MM AIR CONDENSER-TEE-FILTER FC2/3		ST_A	ST_A	*			
M5602102-001	200	ASSIEME TUBI RAME D.6MM CONDENSATORE ARIA-TEE-FILTRO FC2/3	KIT COPPER PIPE D.6MM AIR CONDENSER-TEE-FILTER FC2/3		ST_T R	ST_T R	*			
M5602102-001	200	ASSIEME TUBI RAME D.6MM CONDENSATORE ARIA-TEE-FILTRO FC2/3	KIT COPPER PIPE D.6MM AIR CONDENSER-TEE-FILTER FC2/3		ML_ A	ML_ A	*			
M5602102-001	200	ASSIEME TUBI RAME D.6MM CONDENSATORE ARIA-TEE-FILTRO FC2/3	KIT COPPER PIPE D.6MM AIR CONDENSER-TEE-FILTER FC2/3		ML_T R	ML_ TR	*			
M0102121-001	200	ASSIEME TUBI RAME D.6MM CONDENSATORE ARIA-TEE-FILTRO FC1	KIT COPPER PIPE D.6MM AIR CONDENSER-TEE-FILTER FC1	*			*			
M0102114-001	201	TUBO RAME D.6MM TEE- PRESSOSTATO	COPPER PIPE D.6MM TEE - PRESSOSTAT	*	*	*	*	*	*	*

**FIRST CLASS: Listino Ricambi\Spare Part Price List 2018 Rev.07**

"NOTA ! I prezzi in dollari sono dedicati al Mercato Americano  
NOTE ! The prices in Dollars are dedicated to the America Market"

CODICE	ESP	DESCRIZIONE	DESCRIPTION	FC1	FC2	FC3	115/ 60	230/ 50	220/ 60	100/ 50- 100/ 60
M0602114-001	202	ASSIEME TUBI RAME D.6MM CONDENSATORE ACQUA-TEE-FILTRO FC2W/3W	KIT COPPER PIPE D.6MM WATER CONDENSER-TEE-FILTER FC2W/3W		ST_ W	ST_ W	*	*	*	*
M0602114-001	202	ASSIEME TUBI RAME D.6MM CONDENSATORE ACQUA-TEE-FILTRO FC2W/3W	KIT COPPER PIPE D.6MM WATER CONDENSER-TEE-FILTER FC2W/3W		ML_ W	ML_ W	*	*	*	*
CB5X8M2/3W	203	CONDENSATORE AD ACQUA	WATER CONDENSER		ST_ W	ST_ W	*	*	*	*
CB5X8M2/3W	203	CONDENSATORE AD ACQUA	WATER CONDENSER		ML_ W	ML_ W	*	*	*	*
M0602107-001	204	TUBO RAME D.8 VALVOLA PRESSOSTATICA-CONDENSATORE ACQUA	PRESSURE SWITCH VALVE COPPER PIPE D.8 -AIR CONDENSER		ST_ W	ST_ W	*	*	*	*
M0602107-001	204	TUBO RAME D.8 VALVOLA PRESSOSTATICA-CONDENSATORE ACQUA	PRESSURE SWITCH VALVE COPPER PIPE D.8 -AIR CONDENSER		ML_ W	ML_ W	*	*	*	*
A0602102-001	205	VALVOLA PRESSOSTATICA WVFX1025	PRESSURE SWITCH VALVE WVFX1025		ST_ W	ST_ W	*	*	*	*
A0602102-001	205	VALVOLA PRESSOSTATICA WVFX1025	PRESSURE SWITCH VALVE WVFX1025		ML_ W	ML_ W	*	*	*	*
A0600101-001	206	SUPPORTO VALVOLA PRESSOSTATICA	PRESSURE SWITCH VALVE SUPPORT		ST_ W	ST_ W	*	*	*	*
A0600101-001	206	SUPPORTO VALVOLA PRESSOSTATICA	PRESSURE SWITCH VALVE SUPPORT		ML_ W	ML_ W	*	*	*	*
NIPLES+RACCOR	207	NIPLES OTTONE 1/4" D.8MM	BRASS NIPLES 1/4" D.8MM		ST_ W	ST_ W	*	*	*	*
NIPLES+RACCOR	207	NIPLES OTTONE 1/4" D.8MM	BRASS NIPLES 1/4" D.8MM		ML_ W	ML_ W	*	*	*	*
M0602108-001	209	TUBO RAME D.8MM USCITA ACQUA	WATER OUTPUT COPPER PIPE D.8MM		ST_ W	ST_ W	*	*	*	*
M0602108-001	209	TUBO RAME D.8MM USCITA ACQUA	WATER OUTPUT COPPER PIPE D.8MM		ML_ W	ML_ W	*	*	*	*
M0602106-001	210	TUBO RAME D.8MM ENTRATA ACQUA	WATER INPUT COPPER PIPE D.8MM		ST_ W	ST_ W	*	*	*	*

**FIRST CLASS: Listino Ricambi\Spare Part Price List 2018 Rev.07**

"NOTA ! I prezzi in dollari sono dedicati al Mercato Americano  
NOTE ! The prices in Dollars are dedicated to the America Market"

CODICE	ESP	DESCRIZIONE	DESCRIPTION	FC1	FC2	FC3	115/ 60	230/ 50	220/ 60	100/ 50- 100/ 60
M0602106-001	210	TUBO RAME D.8MM ENTRATA ACQUA	WATER INPUT COPPER PIPE D.8MM		ML_ W	ML_ W	*	*	*	*
V TTC5X16CRIN	211	VITE FISSAGGIO STAFFA-VALVOLA PRESSOSTATICA	SHAFT FASTENING SCREW - PRESSURE SWITCH VALVE		ST_ W	ST_ W	*	*	*	*
V TTC5X16CRIN	211	VITE FISSAGGIO STAFFA-VALVOLA PRESSOSTATICA	SHAFT FASTENING SCREW - PRESSURE SWITCH VALVE		ML_ W	ML_ W	*	*	*	*
M0602110-001	212	TUBO RAME CAPILLARE TEE- VALVOLA PRESSOSTATICA	CAPILLARY COPPER PIPE TEE - PRESSURE SWITCH VALVE		ST_ W	ST_ W	*	*	*	*
M0602110-001	212	TUBO RAME CAPILLARE TEE- VALVOLA PRESSOSTATICA	CAPILLARY COPPER PIPE TEE - PRESSURE SWITCH VALVE		ML_ W	ML_ W	*	*	*	*
M0602113-001	213	ASSIEME TUBI RAME D.6MM COMPRESSORE-TEE-CONDENSATORE ACQUA FC2W/3W	KIT COPPER PIPE D.6MM COMPRESSOR-TEE-WATER CONDENSER FC2W/3W		ST_ W	ST_ W	*	*	*	*
M0602113-001	213	ASSIEME TUBI RAME D.6MM COMPRESSORE-TEE-CONDENSATORE ACQUA FC2W/3W	KIT COPPER PIPE D.6MM COMPRESSOR-TEE-WATER CONDENSER FC2W/3W		ML_ W	ML_ W	*	*	*	*
A0002112-001	214	VALVOLA DI CARICA+TUBO RAME D.6MM 26,5CM FC2/3	CHARGE VALVE +COPPER PIPE D.6MM 26,5CM FC2/3		*	*	*	*	*	*
A0002111-001	214	VALVOLA DI CARICA+TUBO RAME D.6MM 16,5CM FC1	CHARGE VALVE +COPPER PIPE D.6MM 16,5CM FC1	*			*	*	*	*
M0202102-001	252	TUBO RAME D.6MM COMPRESSORE- CONDENSATORE ARIA	COMPRESSOR COPPER PIPE D.6MM - AIR CONDENSER		ST_A	ST_A	*	*	*	*
M0202102-001	252	TUBO RAME D.6MM COMPRESSORE- CONDENSATORE ARIA	COMPRESSOR COPPER PIPE D.6MM - AIR CONDENSER		ST_T R	ST_T R	*	*	*	*
M0202102-001	252	TUBO RAME D.6MM COMPRESSORE- CONDENSATORE ARIA	COMPRESSOR COPPER PIPE D.6MM - AIR CONDENSER		ML_ A	ML_ A	*	*	*	*
M0202102-001	252	TUBO RAME D.6MM COMPRESSORE- CONDENSATORE ARIA	COMPRESSOR COPPER PIPE D.6MM - AIR CONDENSER		ML_T R	ML_ TR	*	*	*	*

# FIRST CLASS: Listino Ricambi\Spare Part Price List 2018 Rev.07

"NOTA ! I prezzi in dollari sono dedicati al Mercato Americano  
NOTE ! The prices in Dollars are dedicated to the America Market"

CODICE	ESP	DESCRIZIONE	DESCRIPTION	FC1	FC2	FC3	115/ 60	230/ 50	220/ 60	100/ 50- 100/ 60
M0102103-001	252	TUBO RAME D.6MM COMPRESSORE- CONDENSATORE ARIA	COMPRESSOR COPPER PIPE D.6MM - AIR CONDENSER	*			*	*	*	*
M0102107-001	253	TUBO RAME D.8MM BOYLER- COMPRESSORE	BOYLER COPPER PIPE D.6MM - COMPRESSOR	*			*	*	*	*
C04060400100	300	CONDENSATORE FERRO 2	IRON CONDENSER 2			ST_T R		*	*	
C04060400100	300	CONDENSATORE FERRO 2	IRON CONDENSER 2			ML_ TR		*	*	
M0302105-001	301	TUBO RAME D.6MM CONDENSATORE 1-CONDENSATORE 2	CONDENSER 1 COPPER PIPE D.6MM - CONDENSER 2			ST_T R		*	*	
M0302105-001	301	TUBO RAME D.6MM CONDENSATORE 1-CONDENSATORE 2	CONDENSER 1 COPPER PIPE D.6MM - CONDENSER 2			ML_ TR		*	*	
M0000150-001	350	STAFFA MODULO MACCHINA	MACHINE MODULE SHAFT	ML_ ALL	ML_ ALL	ML_ ALL	*	*	*	*
M0005149-001	351	ELETTRONICA MILLENNIUM "MODULO MACCHINA"	"MACHINE MODULE" MILLENNIUM ELECTRONIC KIT	ML_ ALL	ML_ ALL	ML_ ALL	*	*	*	*
M0306140-001	352	ASS. PANN. FR. FC3 AISI430+ALLUM.	KIT FRONT PANEL FC3 AISI430+ALLUM.			ML_ A	*	*	*	*
B0005105-001	353	SENSOR REED MEDER MK11/M8- BV14649	SENSOR REED MEDER MK11/M8- BV14649		ML_ A	ML_ A	*	*	*	*
M0306137-001	354	STRIP LED FC3 24VDC 500MM 120LED/M IP67	STRIP LED 24VDC 500MM 120LED/M IP67			ML_ A	*	*	*	*
A0005121-001	356	ALIM. SWITHING 100-240/24 LPV-20- 24	SWITCHING POWER SUPPLY 100- 240/24 LPV-20-24		ML_ A	ML_ A	*	*	*	*
M93CSGRFB	357	MORSETTIERA PA10HDS 12P	CONNECTION FOR WIRING PA10HDS 12P		ML_ A	ML_ A	*	*	*	*
DADOD.3Z	358	DADO DIAM.3 MM 5588 ZINCATO	M3 NUT		ML_ A	ML_ A	*	*	*	*
ROND.D.3.2EDENT	359	RONDELLA DENTELLATA 3.2 E	WASHER D.3,2		ML_ A	ML_ A	*	*	*	*



**FIRST CLASS: Listino Ricambi\Spare Part Price List 2018 Rev.07**

"NOTA ! I prezzi in dollari sono dedicati al Mercato Americano  
NOTE ! The prices in Dollars are dedicated to the America Market"

CODICE	ESP	DESCRIZIONE	DESCRIPTION	FC1	FC2	FC3	115/ 60	230/ 50	220/ 60	100/ 50- 100/ 60
ROND.D.3ZPIANA	360	RONDELLA PIANA D.3 MM ZINCATA	WASHER D.3		ML_ A	ML_ A	*	*	*	*
M0306135-001	361	FRONTALE FC3+MAGNETI BLU BEVERAGE	FRONT GRAPHIC PANNEL FC3 BLU BEVERAGE			ML_ A	*	*	*	*
M0306135-002	361	FRONTALE FC3+MAGNETI NO GRAFICA	FRONT GRAPHIC PANNEL FC3 NO GRAPHIC			ML_ A	*	*	*	*
M0306135-003	361	FRONTALE FC3+MAGNETI SLUSH PUPPIE C	FRONT GRAPHIC PANNEL FC3 SLUSH PUPPIE			ML_ A	*	*	*	*
M0206135-001	362	ASSIEME PANNELLI FRONTALI FC2 AISI430_ALLUMINIO	KIT FRONT PANEL FC2 AISI430+ALLUM.		ML_ A		*	*	*	*
M0206136-001	363	STRIP LED FC2 24VDC 350MM 120LED/M IP67	STRIP LED FC2 24VDC 350MM 120LED/M IP67		ML_ A		*	*	*	*
M0206133-002	634	FRONTALE FC2+MAGNETI NO GRAFICA	FRONT GRAPHIC PANNEL FC2 NO GRAPHIC		ML_ A		*	*	*	*
M0206138-001	365	SPESSORE ELETTRONICA FC2 RETROILLUMINATO	THICKNESS behind E-BOARD		ML_ A		*	*	*	*
VTTTC2.9X13CR	366	VITE TSP CROCE 2,9X16 ZINCATA BIANCA	SCREW TSP 2.9X16		ML_ A		*	*	*	*
M0306103-002		IMBALLO FIRST CLASS 3				*	*	*	*	*
M0206103-002		IMBALLO FIRST CLASS 2			*		*	*	*	*
M0106103-002		IMBALLO FIRST CLASS 1		*			*	*	*	*