

# Coca-Cola

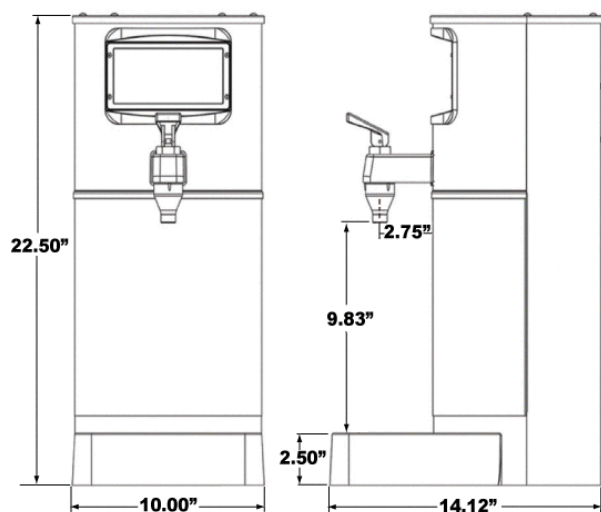
## Parts Manual

### Automatic Bar Control - (VTT) Variety Tea Tower

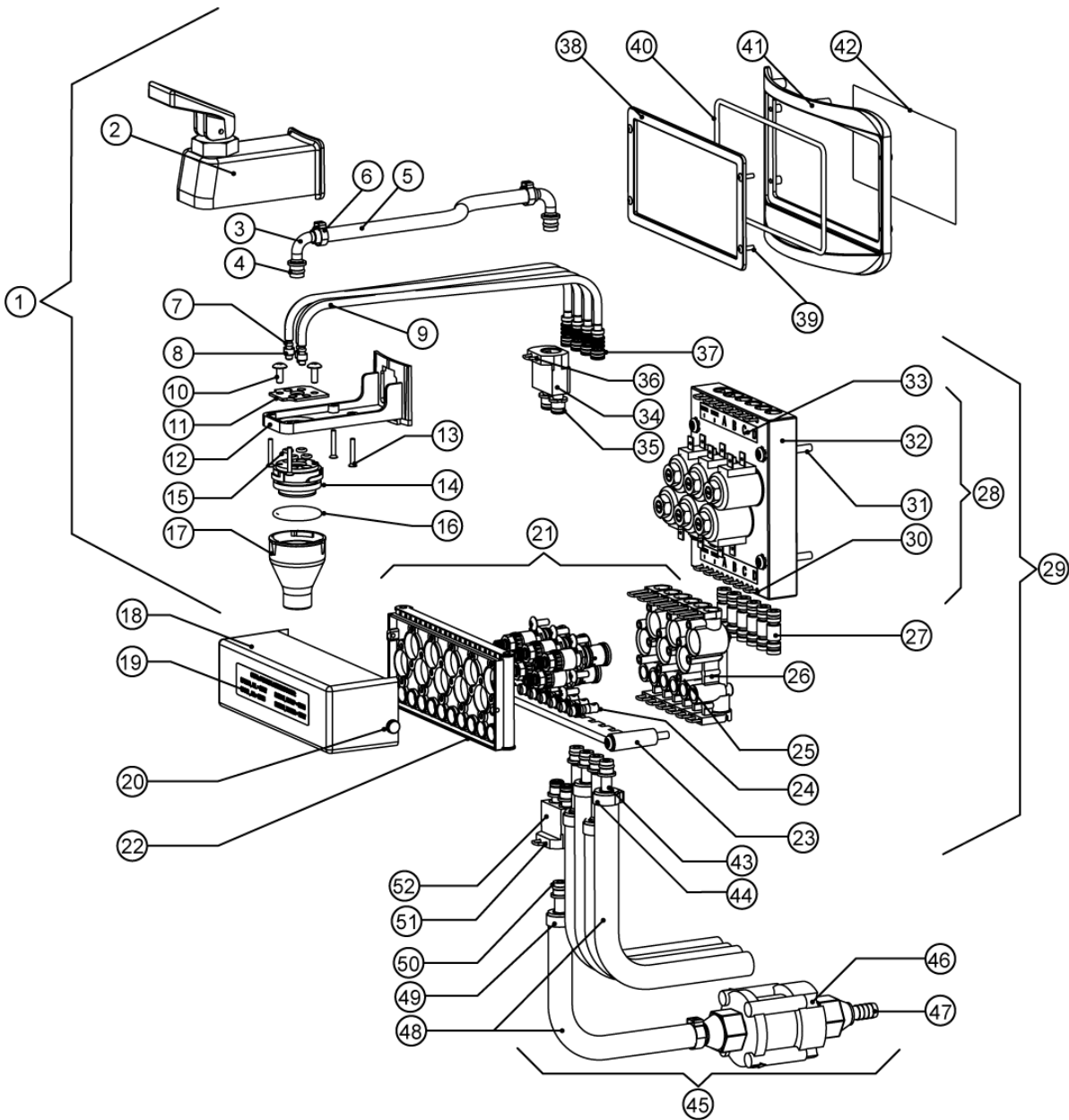


#### Technical Specifications

<b>Dispense Flow Rate</b>	<b>2.0 oz / sec</b>
<b>Ratio Range</b>	<b>4:1 - 6:1</b>
<b>Factory Ratio Setting</b>	<b>5.5 : 1</b>
<b>Electrical Requirements</b>	<b>120 VAC 60 Hz with 3 prong NEMA 5-15P grounded plug</b>
<b>Agency Approvals</b>	<b>UL, NSF</b>
<b>Dispenser Weight</b>	<b>25 lbs</b>
<b>Drain Capacity</b>	<b>26 oz.</b>



# FAUCET & MANIFOLD



Item No.	CCP Part#	Mfg. Part#	CONA Material#	Description
1	114867	RT-050	150022923	FAUCET, COMPLETE
2	114880	RT-350	150022911	UPPER FAUCET ASSEMBLY
3	21128	BPS-PM10-13C	150030972	FITTING 1/4IN 90 DEGREE INPUT
4	14273	PM10-14-E	150032900	ORING, INPUT MANIFOLD FITTING
5	114876	RT-050J	150022915	PIN, DOWEL, 1/8" X 3/4", S/S
6	11730	16700006-025	150033627	CLAMP STEPLESS 10.5MM, 25/BAG
7	21117	PH10-17	150030979	FERRULE, TUBE, POLYPROPYLENE
8	21118	PH10-18	150030978	CAP FERRULE TUBE
9	108409	ST-031	150025327	TUBING, BARRIER, SYRUP, .147ID X 12L
10	1144838	RT-050B-KIT	150085561	KIT, DIFFUSER, TEA TOWER, CLEAR PLASTI C
11	114874	RT-050H	150022917	RETAINER PLATE
12	114871	RT-050D	150022920	BODY, LOWER FAUCET
13	114875	RT-050I	150022916	SCREW, FAUCET BODY ASSEMBLY
14	1144838	RT-050B-KIT	150085561	KIT, DIFFUSER, TEA TOWER, CLEAR PLASTI C
15	21119	PH10-19-E	150030977	ORING TUBE
16	24166	PH14-30-E	150030085	ORING, DIFFUSER WB 14 BUTTON

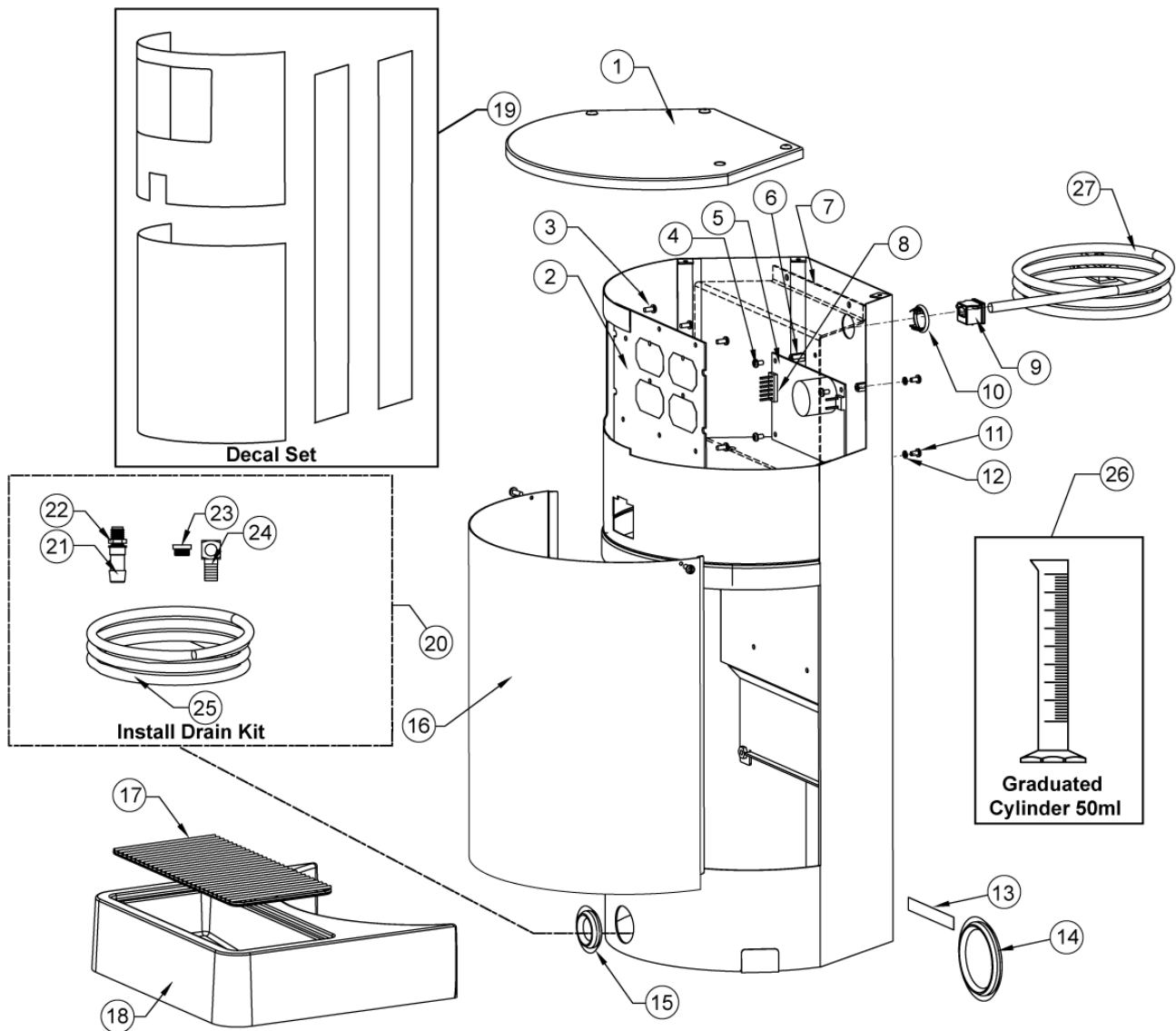
## FAUCET & MANIFOLD

Item No.	CCP Part#	Mfg. Part#	CONA Material#	Description
17	114877	PH10-94	150022914	NOZZLE,BLACK TWIST LOCK
18	22176	FR-15	150030658	COVER,MANIFOLD,TEN BRAND
19	114914	RT-110	150022879	LABEL,MANIFOLD PARTS,SPOOLS,SLEEVES
20	22173	FR-41	150030661	SCREW,8 32 X 1/2,BINDING,SLOT,SS, M /S COKE ONLY
21	114882	RT-011	150022909	MANIFOLD,FLOW REGULATOR COMPLETE
22	22165	FR-02	150030669	FRAME,FLOW REGULATOR,10 BRAND
23	1069015	PM10-82	150001097	BAR RETAINING
23.1	108918	1501-228	150025134	SCREW,SOLENOID MANIFOLD FLOW REG RETAINER, 10 32 X 1 1/2
24	14276	PM10-101	150032898	SCREW,MANIFOLD SHUTOFF,WUNDER BAR
24.1	14274	PM10-6-E	150032899	ORING,MANIFOLD BRIX SCREW
25	22189	FR-30-2	150030650	REGULATOR FLOW INPUT MODULE 2
26	22188	FR-30-1	150030651	REGULATOR FLOW INPUT MODULE 1
27	114891	ST-018	150022900	FITTING,DUAL INTERCONNECT COMPLETE, SS
28	114884	RT-025	150022907	MANIFOLD,SOLENOID ASSY
29	114883	RT-019	150022908	MANIFOLD,SOLENOID
30	19645	PM10-16	150031580	CLIP KWIK UNIVERSAL
31	108918	1501-228	150025134	SCREW,SOLENOID MANIFOLD FLOW REG RETAINER, 10 32 X 1 1/2
31.1	114881	CTOP-HP-059	150022910	WASHER,LOCK
32	114887	RT-060	150022904	SOLENOID BLOCK,ONLY
33	114916	RT-112	150022877	LABEL,SOLENOID MANIFOLD
34	28019	PM10-70-M	150028629	FITTING,INPUT,DUAL COMPL.MARGA
35	14273	PM10-14-E	150032900	ORING,INPUT MANIFOLD FITTING
36	19650	PM10-25	150031576	RING LOCK TUBE LARGE
37	19649	PM10-24	150031577	FITTING INTERCONNECT B
37.1	14273	PM10-14-E	150032900	ORING,INPUT MANIFOLD FITTING
37.2	19650	PM10-25	150031576	RING LOCK TUBE LARGE
38	114901	RT-071A	150022891	LENS,CIU
39	114900	RT-070F	150022892	SCREW,LENS TO BEZEL
40	114904	RT-071D	150022888	ORING,BEZEL
41	114903	RT-371	150022889	BEZEL ASSEMBLY WITH INSERTS
42	116155	A01007-VTT-2	150022302	CARD,BASE,VTT
42.1	131644	D27-VTT-COMBO	150012694	DECAL,SHEET,VTT,MULTI FLAVOR,21/SH
42.2	148091	D27-VTT-BAR-2	150072785	DECAL,SHEET,VTT,BARILLITOS
43	114888	PM10-11	150022903	FITTING,INPUT 3/8
44	10740	16700017-025	150033858	CLAMP STEPLESS 17.0MM .635 TUBE, 25 /BAG
45	114909	RT-009	150022884	PIGTAIL SET W/WATER REDUCER VALVE,AND FITTINGS
46	122626	183-150-SS	150018699	REGULATOR,WTR,50PSI,3/8 BARB FTG,SS
46.1	114919	RT-123	150022874	LABEL,WATER REGULATOR
47	114888	PM10-11	150022903	FITTING,INPUT 3/8
48	114890	ST-009	150022901	TUBING,BRAIDED TYGON 12 IN LONG
49	114889	BPS-630544C	150022902	FITTING,INPUT 3/8
50	10740	16700017-025	150033858	CLAMP STEPLESS 17.0MM .635 TUBE, 25 /BAG
51	19645	PM10-16	150031580	CLIP KWIK UNIVERSAL
52	28019	PM10-70-M	150028629	FITTING,INPUT,DUAL COMPL.MARGA
53	14273	PM10-14-E	150032900	ORING,INPUT MANIFOLD FITTING
54		N/A		ADA COMPONENTS - (NOT SHOWN)
54.1	114902	RT-071B	150022890	KEYPAD AND PCB ASSEMBLY COMPLETE, ONLY COMPATIBLE W/ CCP 119511, A
54.2	119511	WB-VTT-ADA	150020358	SWITCHPACK,ADA COMPLIANT, ONLY COM PATIBLE W/ CCP 114902, CIU BOAR
54.3	125550	EA-CBL-ADA2-511	150016845	CABLE,INTERNAL PRODUCTION

## FAUCET & MANIFOLD

Item No.	CCP Part#	Mfg. Part#	CONA Material#	Description
54.4	125551	EP-CBL-ADA3-511	150016844	CABLE,KEYPAD TO DISPENSER, PRODUCTI ON

# CABINET

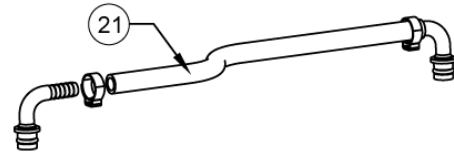
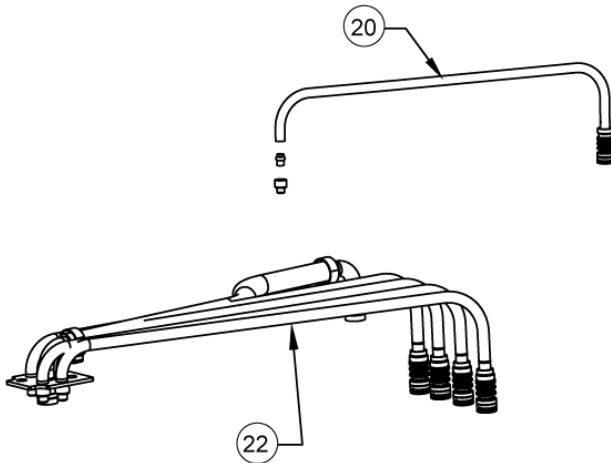
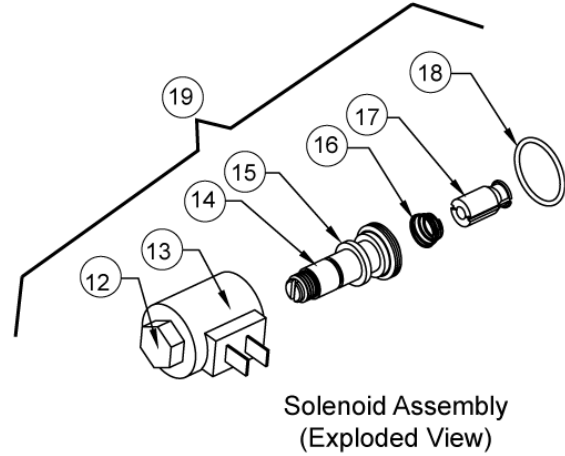
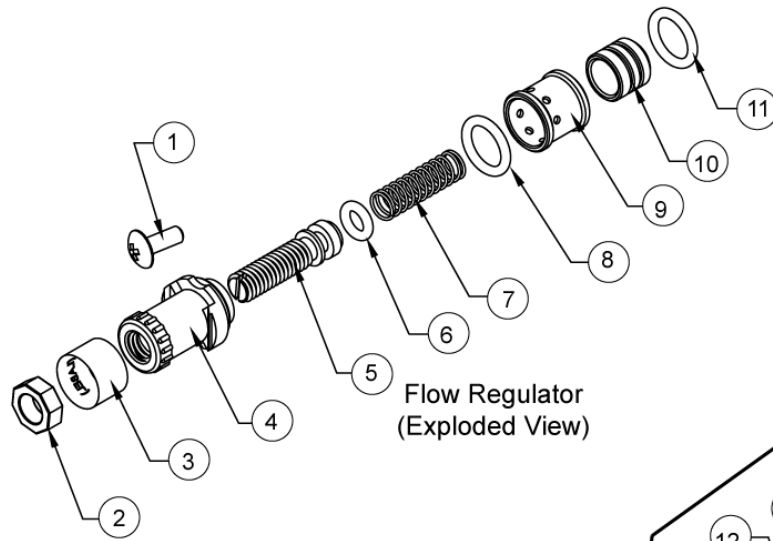


Item No.	CCP Part#	Mfg. Part#	CONA Material#	Description
NR	45737	WB-RT-4-N	150078315	UNIT,VARIETY TEA TOWER VTT ,COMPLET E
NR	45912	WB-RT-4-N-ADA	150078316	UNIT,VARIETY TEA TOWER VTT ,COMPLET E,W/ ADA
1	114862	RT-015	150022928	COVER, TOP, BLACK, PLASTIC
1.1	1144838	RT-050B-KIT	150085561	KIT, DIFFUSER, TEA TOWER, CLEAR PLASTI C
1.2	114918	RT-121	150022875	LABEL, TOP COVER, CHANGE INST
1.3	141440	RT-022	150051478	RETROFIT, KIT, VTT, REAR&TOP COVER
2	114902	RT-071B	150022890	KEYPAD AND PCB ASSEMBLY COMPLETE, ONLY COMPATIBLE W/ CCP 119511, A
3	114899	RT-070E	150022893	SCREW, CIU TO BEZEL
4	114894	PX-34	150022898	SCREW, POWER SUPPLY MOUNTING
5	114898	RT-069	150022894	POWER SUPPLY 110 VOLT AC TO 24 VOLT S DC
5.1	125264	RT-073-C	150017019	CABLE, DC POWER SUPPLY TO PCB, W/FUS E HOLDER
6	114892	EP-HW-2	150022899	SPACER, HEX, POWER SUPPLY MOUNTING
7	114896	RT-066	150022896	COVER, POWER SUPPLY
7.1	115007	RT-069A	150022849	FUSE, POWER SUPPLY, 2.5 AMP
7.2	25837	PX-29	150029387	NUT RETAINER
7.3	109707	EP-HW-9	150024764	WASHER, LOCK, 6

## CABINET & COMPLETE UNIT P/N'S

Item No.	CCP Part#	Mfg. Part#	CONA Material#	Description
8	114905	RT-072	150022887	SOLENOID WIRE HARNESS
8.1	114897	RT-068	150022895	FUSE,5 AMP
9	114908	RT-076	150022885	POWER CORD STRAIN RELIEF COMPLETE
10	108437	ST-085	150025306	PLUG,KEYLOCK,SFT
11	114894	PX-34	150022898	SCREW,POWER SUPPLY MOUNTING
12	109707	EP-HW-9	150024764	WASHER,LOCK, 6
13	114915	RT-111	150022878	LABEL,REAR COVER PRODUCT ID
14	114863	RT-017	150022927	CAP,PLUG,REAR TUBING ACCESS
15	114864	RT-018	150022926	CAP,PLUG DRAIN,HOLE ACCESS
16	114860	RT-010A	150022930	PLATE,SPLASH,LOWER FRONT COVER
16.1	114861	PH10-3	150022929	SCREW,SPLASH PLATE RETENTION
17	114865	RT-035	150022925	CUP REST,WIRE FORM
18	114866	RT-036	150022924	PAN,DRIP,BLACK PLASTIC
19	1144215	40.01894	150085172	DECAL,4 PC,VTT,GOLD PEAK
19.1	1144215	40.01894	150085172	DECAL,4 PC,VTT,GOLD PEAK
19.2	1144212	50.06427	150085169	WRAP,VTT,GOLD PEAK
19.5	148105	148105	150072789	WRAP ,VTT,BARRILITOS
20	114926	RT-250	150022870	KIT,INSTALL DRAIN W/FITTINGS,NUTS,DRAIN TUBE
21	114912	RT-037B	150022881	NUT,STRAIGHT BARBED DRAIN FITTING
22	114911	RT-037A	150022882	FITTING,DRAIN ONLY,BARBED
23	18152	77150200	150031970	ADAPTER,DRAIN, 1/2 20 THREAD,SS
24	16339	77150300	150032355	DRAIN 90DEG 1/2 20 TO 1/2IN
25	114913	RT-038	150022880	HOSE,DRAIN GRAY,1/2 ID X 8' LONG
26	115301	RT-150	150022707	CYLINDER, 50 ML GRADUATE, VTT/JV
27	114907	RT-074	150022886	POWER CORD

# SYRUP / WATER FLOW PATH COMPONENTS



Item No.	CCP Part#	Mfg. Part#	CONA Material#	Description
NR	45796	93201054	150027479	FILTER,PACK,F20,W/INSTALL KIT
NR	117007	93202071	150021797	VALVE, BALL, DOUBLE O RING
1	1144838	RT-050B-KIT	150085561	KIT,DIFFUSER,TEA TOWER,CLEAR PLASTI C
2	22172	FR-11	150030662	NUT LOCK SS
3	108439	FR20-A	150025304	LABEL,A,TUBE RETAINER,SFT
3.1	108440	FR20-B	150025303	LABEL,B,TUBE RETAINER,SFT
3.2	108441	FR20-C	150025302	LABEL,C,TUBE RETAINER,SFT
3.3	108442	FR20-D	150025301	LABEL,D,TUBE RETAINER,SFT
3.4	108443	FR20-E	150025300	LABEL,E,TUBE RETAINER,SFT
4	22170	FR-09	150030664	RETAINER TUBE
5	22171	FR-10	150030663	SCREW,ADJUSTING,FLOW REG
6	22174	FR-13-E	150030660	ORING,ADJUSTING SCREW
7	22187	FR-29	150030652	SPRING ADJ TENSION
8	22175	FR-14-E	150030659	ORING,TUBE RETAINER
9	22169	FR-07C	150030665	CYLINDER CERAMIC SYRUP
9.1	22167	FR-04C	150030667	CYLINDER CERAMIC SODA/WATER

## SYRUP - WATER FLOW COMPONENTS

Item No.	CCP Part#	Mfg. Part#	CONA Material#	Description
10	22166	FR-03C	150030668	PISTON CERAMIC SODA/SYRUP
10.1	22168	FR-06C	150030666	PISTON CERAMIC SYRUP
11	22186	FR-28-E	150030653	ORING CYLINDER SEAL
12	108414	ST-021A	150025323	NUT,HEX,SOLENOID COIL RETENSION,SFT
13	108425	ST-021B	150025316	COIL,SOLENOID,12V DC,SFT
14	108426	OE-021	150025315	SOLENOID,OPERATOR,KIP,12VDC,SFT
15	108412	ST-021D		SPACER,BLK,RUBBR,PLUNGER HOUSNG,SFT
16	113015	ST-021H	150023663	PLUNGER,W/SPRING,SFT
17	113015	ST-021H	150023663	PLUNGER,W/SPRING,SFT
18	108413	ST-021G-E	150025324	ORING,SOLENOID SEAT,SFT
19	108426	OE-021	150025315	SOLENOID,OPERATOR,KIP,12VDC,SFT
20	114885	RT-051	150022906	TUBING,ASSEMBLY,SYRUP
21	114886	RT-052	150022905	ASSEMBLY,WATER TUBING
22	115101	RT-305	150022803	TUBING, COMPLETE ASSY, VTT