

FETCO®

LUXUS® L3D & L3S Thermal Dispensers

User's Guide



L3D-10
1 gallon



L3D-15
1.5 gallon



L3D-20
2 gallon


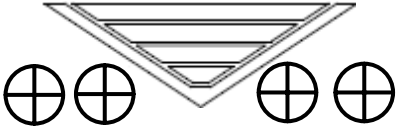




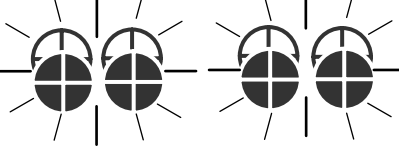
© 2016 Food Equipment Technologies-FETCO®
600 Rose Rd. Lake Zurich, IL 60047-0429 USA
☎: (800) 338-2699 or (847) 719-3000
website: www.fetco.com email: info@fetco.com
PATENTED PATENTS: WWW.fetco.com/patents

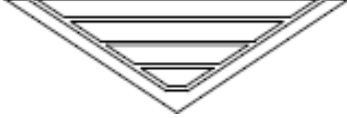





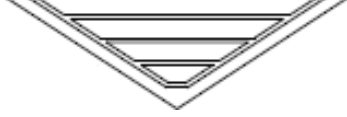
LUXUS®



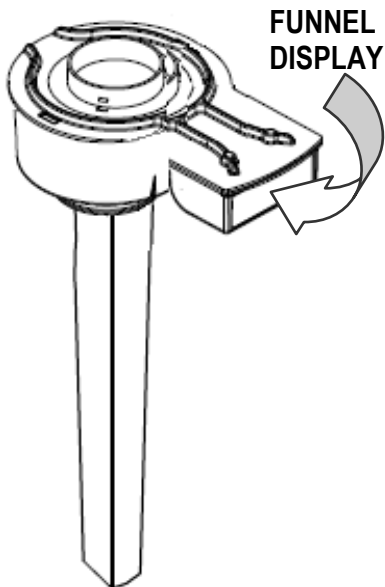
Part # P015 Rev.002 JULY 2016

BREW FUNNEL DISPLAY

Freshness Timer®	FETCO indicator funnel
Quad icons, each divided into quarter hours segments—The four icons represent a time range of four hours	<i>Blank indicator funnel display is shown, dispenser is "Ready" for brewing</i>
	<i>BLANK: Empty—Ready To Brew</i> 
1-15...minute time range	 
16-30...minute time range	 
<p>...Some displays are omitted for clarity</p> <p><i>Slowly pulsing display: ...more than 4 hours</i></p>	 <i>...Active On & Off...</i>

Volume Indicator
<p>Lower "VEE"+ four upper bars represent 20% increments of fill level of the dispenser</p> <p>"READY" TO BREW</p> 
<p>FULL—Fifth level</p> 
<p>Fourth Level=80% filled</p> 
<p>Third Level= 60% filled</p> 
<p>Second level=40% filled</p> 
<p>First level=20% filled</p> 
<p>Dispenser EMPTY</p> 

Time is reset when dispenser is completely emptied, when funnel is removed, or when enough liquid is added to increase the volume by at least one level



NO DISHWASHER



NO MICROWAVE

*Clean and dry funnel
by hand only*

IMPORTANT SAFEGUARDS

- ▶ To prevent overflows, make sure the dispenser is completely empty before brewing.
- ▶ Always remove the funnel for manual filling of the dispenser.
- ▶ Do not use bleach or cleaners containing chlorides.
- ▶ Do not solvent based cleaner or polish on this equipment
- ▶ Never use a cleaner on any food equipment that contains the solvent diethylene glycol butyl ether (DGBE) .
- ▶ Use only non-metallic brushes and cleaning pads.
- ▶ Use only the handle to lift or carry the dispenser.
- ▶ Do not use the faucet guard to pull or lift the dispenser.
- ▶ Do not submerge the brew funnel.

CLEANING AND MAINTENANCE

Detailed instructions are available on our web site, www.fetco.com.

Daily:



Important Notice: To maintain proper operation of the funnel display, clean the funnel stem daily under running water with detergent and a sponge or towel. Do not submerge.

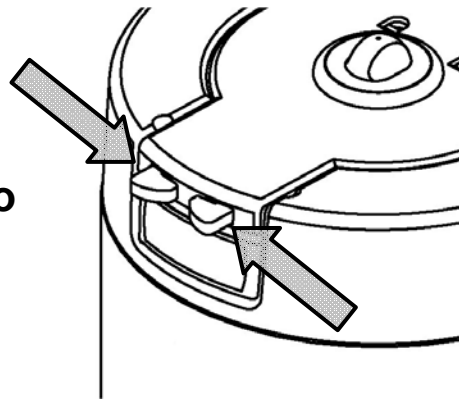
- ▶ Use any commercial beverage urn cleaner to clean the inside of the dispenser. Follow the cleaner manufacturer's instructions. Make sure to thoroughly rinse the dispenser after cleaning.
- ▶ Wash the drip tray and other plastic parts with dish detergent. Avoid abrasives.
- ▶ To sanitize the dispenser before filling, brew a batch of water only (no coffee) into the dispenser and allow it to rest for 10 minutes.

Weekly, or as needed:

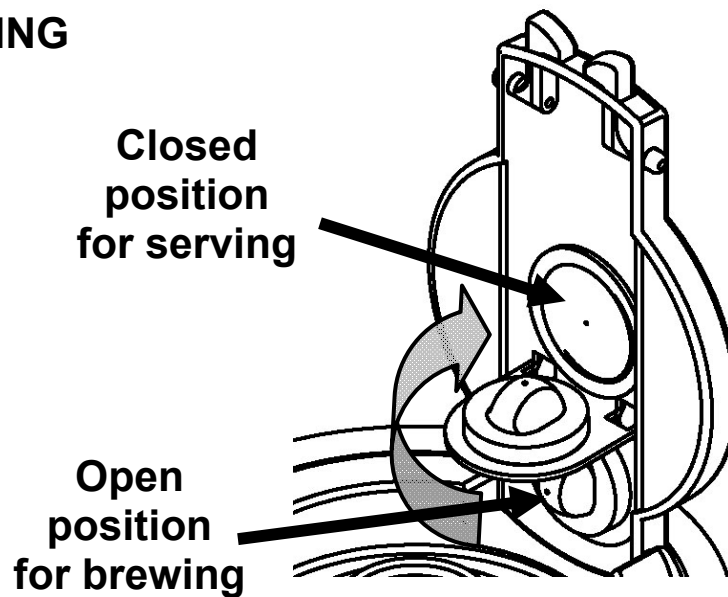
- ▶ Remove the faucet upper assembly and inspect the seat cup for wear. Clean or replace if necessary.

OPENING THE DISPENSER

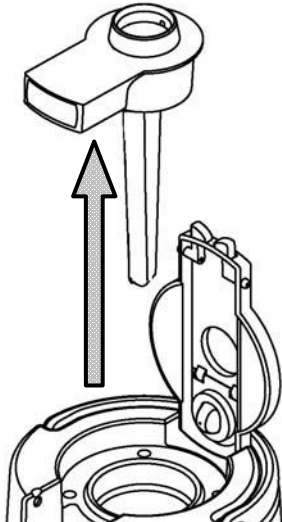
- 1) Squeeze the two tabs together
- 2) Lift lid upwards



OPENING AND CLOSING THE COVER PLUG



REMOVING THE BREW FUNNEL

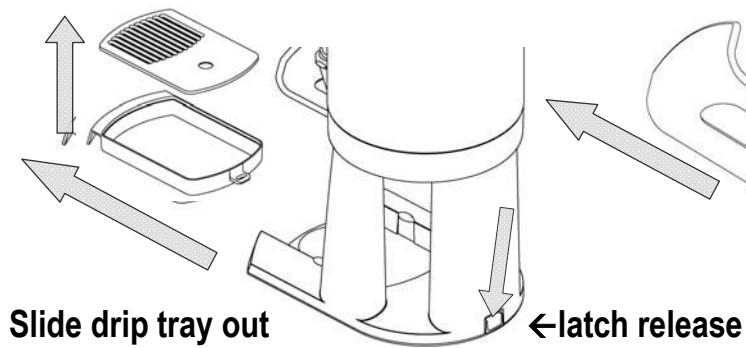


Important Notice: To maintain proper operation of the funnel display, clean the funnel stem daily under running water with detergent and a sponge or towel. Do not submerge.

- Brew funnel must be removed for manual filling of dispenser.
 - Removing the funnel resets timer.
 - To extend battery life, remove the funnel when not in use.
- (Battery cannot be replaced.)**

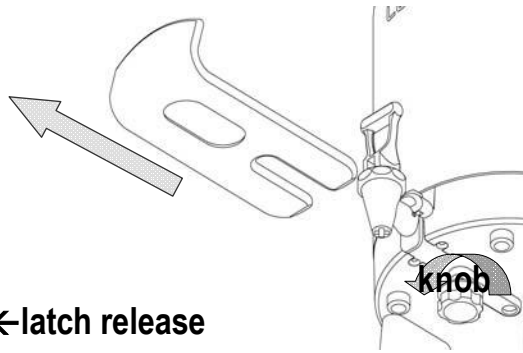
Accessing dispenser Parts

REMOVING THE DRIP TRAY

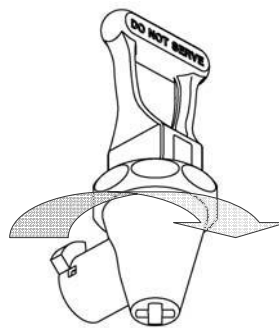
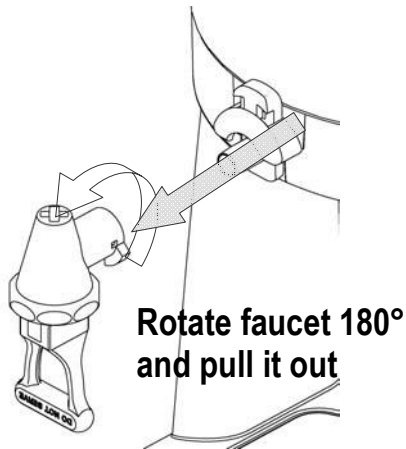
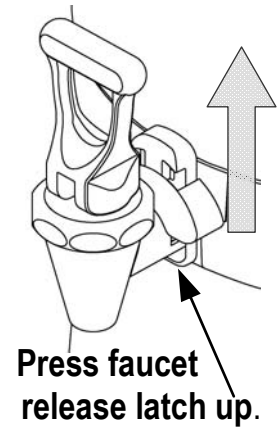


REMOVING THE FAUCET GUARD

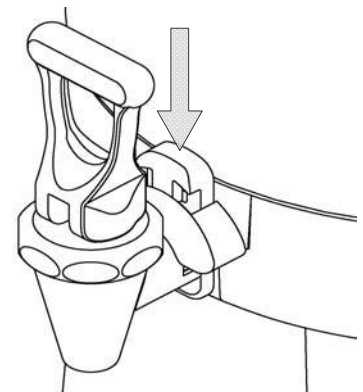
- 1) Unscrew knob 4 turns
- 2) Slide faucet guard out.



REMOVING THE FAUCET

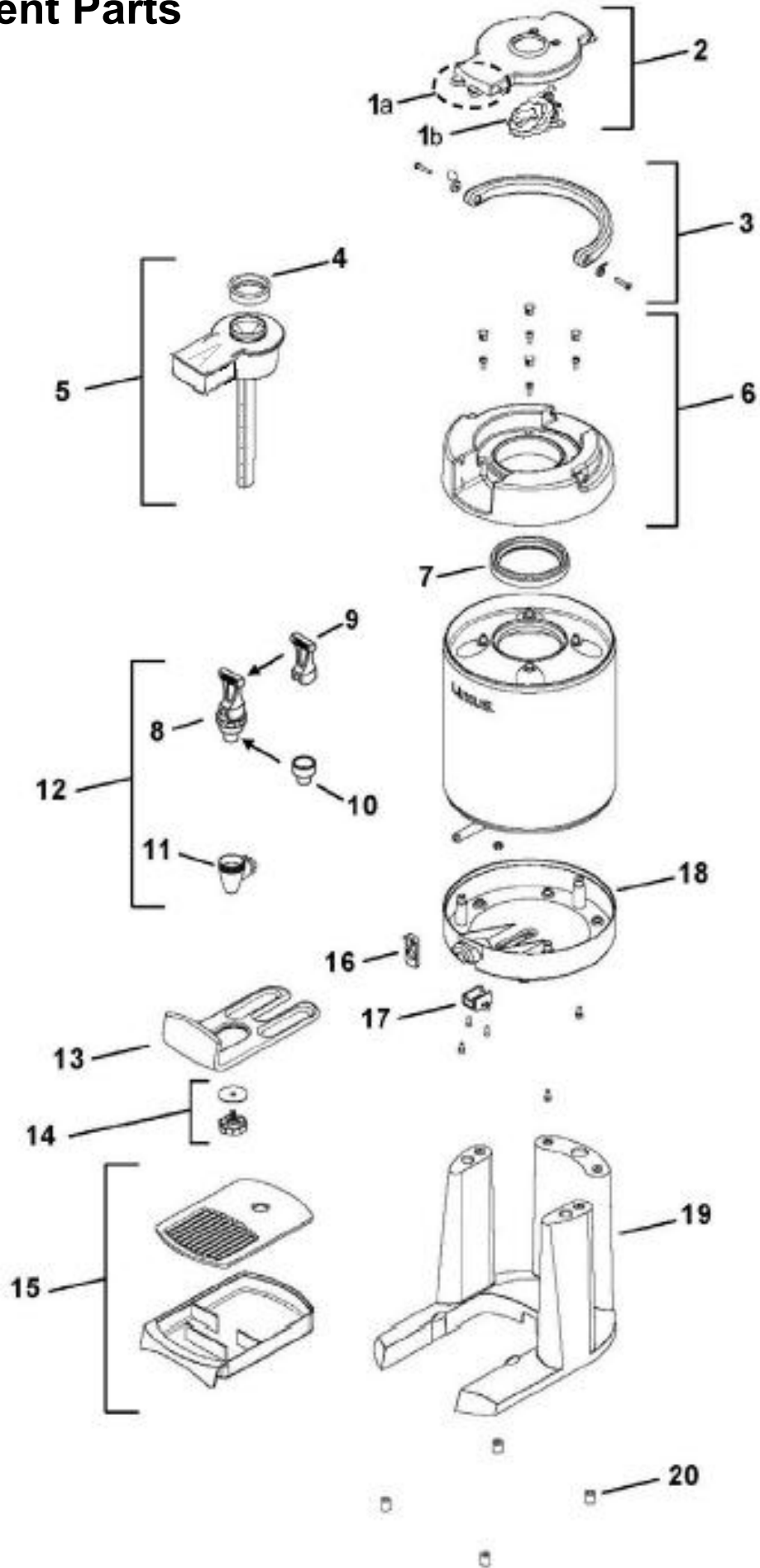


Unscrew faucet upper assembly to clean or replace seat cup



Reverse procedure to re-install faucet. Press release latch down to lock faucet into place--!!Click!!

Replacement Parts



#	Description	Dispenser Model Number		
		L3D10 & L3S10	L3D15 & L3S15	L3D20 & L3S20
1a	LOCK (inside cover)	1023.00036.00	1023.00030.00	1023.00030.00
1b	PLUG ASSY.	1023.00119.00	1023.00125.00	1023.00125.00
2	COVER ASSY.	1102.00125.00	1102.00144.00	1102.00144.00
3	HANDLE ASSY.	1000.00006.00	1000.00007.00	1000.00007.00
4	FUNNEL GASKET	1029.00014.00	1029.00016.00	1029.00016.00
5	FUNNEL ASSY.	1102.00143.00	1102.00150.00	1102.00176.00
6	TOP ASSY.	1000.00008.00	1000.00009.00	1000.00009.00
7	NECK GASKET	1024.00070.00	1024.00070.00	1024.00070.00
8	Faucet upper assembly (standard-black handle)	1071.00020.00	1071.00020.00	1071.00020.00
8	Faucet upper assembly orange handle— "DECAFF"	1071.00030.00	1071.00030.00	1071.00030.00
8	Faucet upper assembly green handle	1071.00031.00	1071.00031.00	1071.00031.00
8	Faucet upper assembly blue handle	1071.00032.00	1071.00032.00	1071.00032.00
9	Faucet handle, Black	1071.00022.00	1071.00022.00	1071.00022.00
9	Faucet handle, Red Embossed: "hot water"	1071.00040.00	1071.00040.00	1071.00040.00
10	FAUCET SEAT CUP	1071.00013.00	1071.00013.00	1071.00013.00
11	FAUCET BODY ASSY.	1000.00012.00	1000.00012.00	1000.00012.00
12	Faucet assy. complete	1102.00055.00	1102.00055.00	1102.00055.00
13	FAUCET GUARD	1023.00076.00	1023.00055.00	1023.00055.00
14	Knob & Washer (For Faucet Guard)	1000.00010.00	1000.00010.00	1000.00010.00
15	DRIP TRAY ASSY.	1000.00013.00	1000.00014.00	1000.00014.00
16	FAUCET LOCK	1023.00069.00	1023.00069.00	1023.00069.00
17	INSERT, BOTTOM	1023.00083.00	1023.00067.00	1023.00067.00
18	BOTTOM	1023.00084.00	1023.00068.00	1023.00068.00
19	STAND ASSY.	1000.00015.00	1000.00016.00	1000.00016.00
20	ANTI-SLIP FOOT	1024.00069.00	1024.00069.00	1024.00069.00

How the FETCO electronic beverage dispenser indicator funnel operates.

The FETCO electronic beverage dispenser indicator funnel works on contact with liquid. The stem of the funnel has six gold contacts evenly spaced from the bottom to the top: five level sensing contacts and one “common” contact (the lowest). Liquid immersion connects “makes” the electronic connection between the gold contacts.

Pure gold is used because it is an excellent conductor, is inert and completely safe for all food.

The top of the funnel has a liquid crystal display (LCD) icons that display the age and level of the contents of the dispenser. Very sophisticated electronics measure the contents inside the dispenser and refreshes the LCD display.

The LCD icons time display begins when the gold contacts are immersed. The contacts have a “pause” in reading and updating the LCD icon that is purposely programmed to accommodate naturally occurring sloshing of the dispenser contents. The LCD icon display is digitally updated approximately 2 times per minute.

About the FETCO electronic beverage dispenser indicator funnel

The FETCO electronic beverage dispenser indicator funnel information LCD icons are informative and attractive;-yet unobtrusive enough so to not be distracting to guests.

The FETCO indicating funnel was developed to replace the old-styled clear sight-tubes used in commercial coffee urns and dispensers. The old-style sight-tubes are easily broken, always dirty, and cool the contents from heat loss due to heat convection.

Extensive research and development produced the FETCO electronic beverage dispenser indicator funnel sold today. It is designed to be attractive, reliable, durable, simple to operate and understand, and to be safe for food service. Customer input guided the extensive development of the funnels operation method and appearance.

FETCO owns multiple patents for the electronic beverage dispenser indicator funnel.
[WWW.fetco.com/patents]

LUXUS[®]