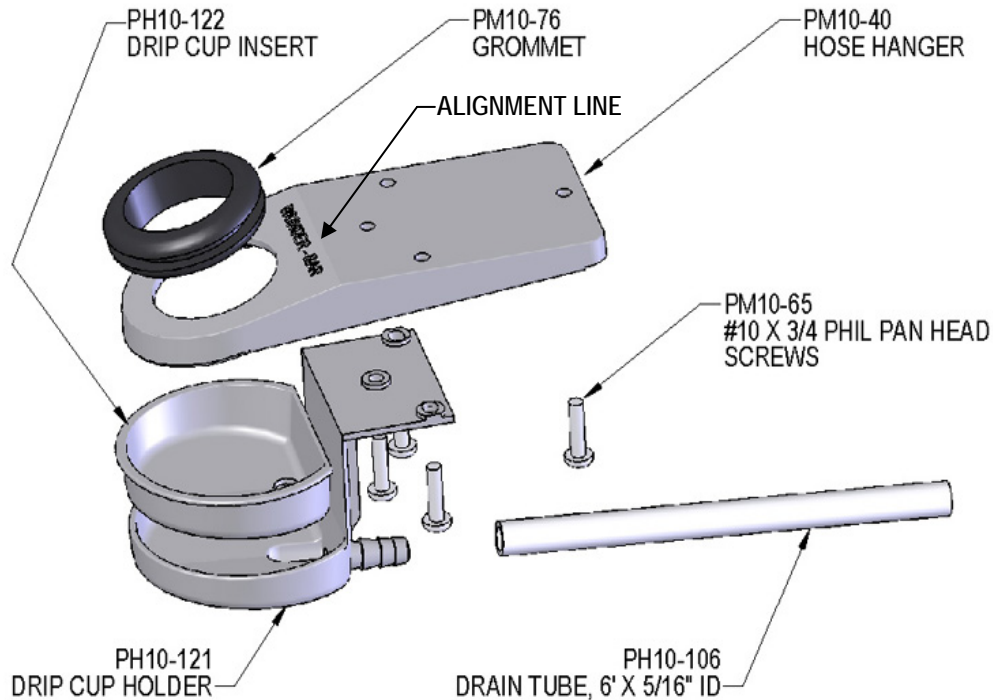




Wunder-Bar PH10-119 SANITARY DRIP CUP INSTALLATION INSTRUCTIONS

FOR

PH10-120 POST-MIX SANITARY DRIP CUP KIT (INCLUDED WITH NEW POST-MIX AND JUICE DISPENSERS)
PH10-123 POST-MIX SANITARY DRIP CUP CONVERSION KIT (REPLACES EXISTING OLD STYLE DRIP CUP)



PH10-120 Complete Post-Mix Sanitary Drip Cup Kit Includes:

One (1) PH10-119 Sanitary Drip Cup Assembly (Includes PH10-121 Holder, PH10-122 Insert, & PH10-106 Tube)
One (1) PM10-40 Hose Hanger
One (1) PH10-76 Grommet
Three (3) PM10-65 Screws (#10 x 3/4" Phillips, Pan Head, S/S)
Two (2) PM10-66 Screws, Manifold Mounting—Not Shown (#10 x 2" Phillips, Pan Head S/S)

PH10-123 Post-Mix Sanitary Drip Cup Conversion Kit Includes *:

One (1) PH10-119 Sanitary Drip Cup Assembly (Includes PH10-121 Holder, PH10-122 Insert, & PH10-106 Tube)
One (1) PH10-76 Grommet
Three (3) PM10-65 Screws (#10 x 3/4" Pan Head, Phillips)

* PH10-123 Conversion Kit requires the re-use of the existing PM10-40 Hose Hanger.

INSTALLATION INSTRUCTIONS:

1. (FOR CONVERSION KIT ONLY) Remove the existing PM10-40 Hose Hanger (and old style Drip Cup) from the bar top by un-screwing the three mounting screws. Discard the screws and old style Drip Cup.
2. Position the PH10-121 (Drip Cup Holder) into the recess located under the PM10-40 (Hose Hanger) and align the three matching mounting screw holes.
3. Position the combined PH10-121 and PM10-40 under the countertop, in the desired mounting location, with the alignment line lined-up with the front edge of the countertop.
4. Install three PM10-65 (#10 x 3/4" Phillips, Pan Head Screws) through the three mounting holes and into the countertop, completely, until no screw threads are visible or exposed below the screw hole mounting bosses.
5. Install one end of the PH10-106 (6' Drain Tube) onto the PH10-121's (Drip Cup Holder) drain nipple, fully.
6. Extend the other end of the PH10-106 (6' Drain Tube) to the floor sink or drain. Do not install Drain Tube end into the ice bin or sink drain.
7. Install the PM10-76 (Grommet) into the PM10-40 (Hose Hanger).
8. Install the PH10-122 (Drip Cup Insert) into the PH10-121 (Drip Cup Holder)