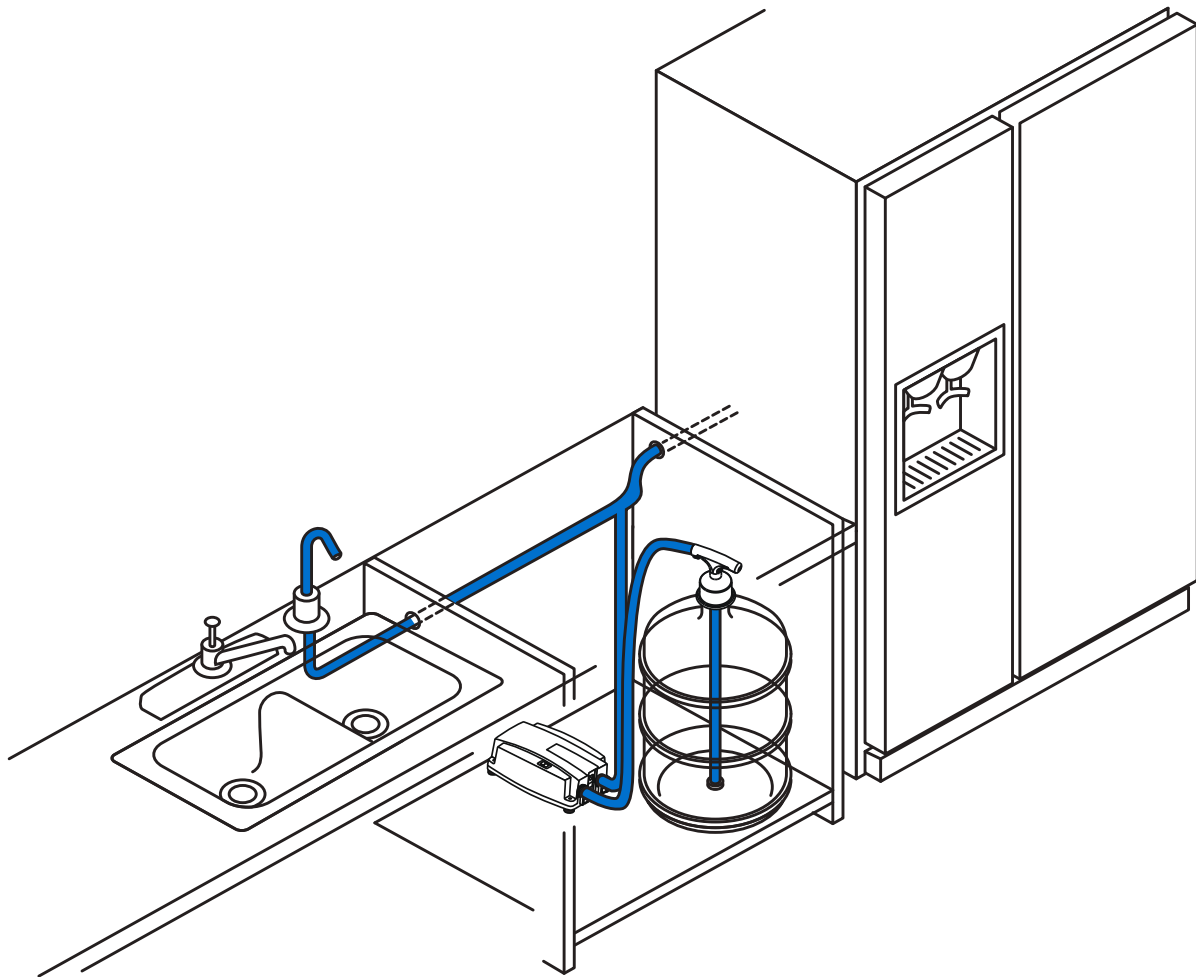


# FLOJET

a xylem brand

## Bottled Water System 5000 SERIES



[www.xylemflowcontrol.com](http://www.xylemflowcontrol.com)

© 2015 Xylem Inc. All rights reserved.  
Flojet is a trademark of Xylem Inc. or one of its subsidiaries.  
81000453 Rev A. 04/2015

5000 Series Bottled Water System by

**FLOJET**

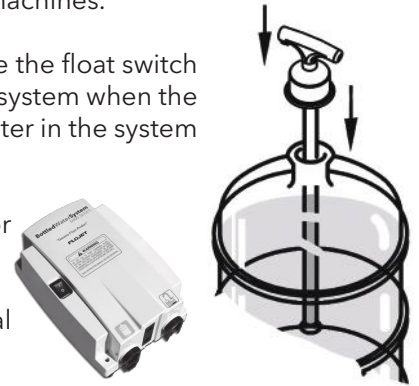
## HOW THE SYSTEM WORKS

The 5000 Series Bottled Water System by Flojet is designed to pump purified water from commercially available 5-gallon purified water bottles. The system will deliver the water under pressure to an individual drinking water faucet, the water inlet of a refrigerator for the icemaker and chilled drinking water tap, to a faucet in portable sinks and to certain personal use and commercial use coffee / tea brewers / espresso machines.

When the suction wand is inserted into the standard 5-gallon bottle, it will activate the float switch on the end of the wand and turn on the pump. This same float switch shuts off the system when the bottle is empty. The wand has a built in back-flow preventer valve that prevents water in the system from flowing back into the bottle, or spilling while changing bottles.

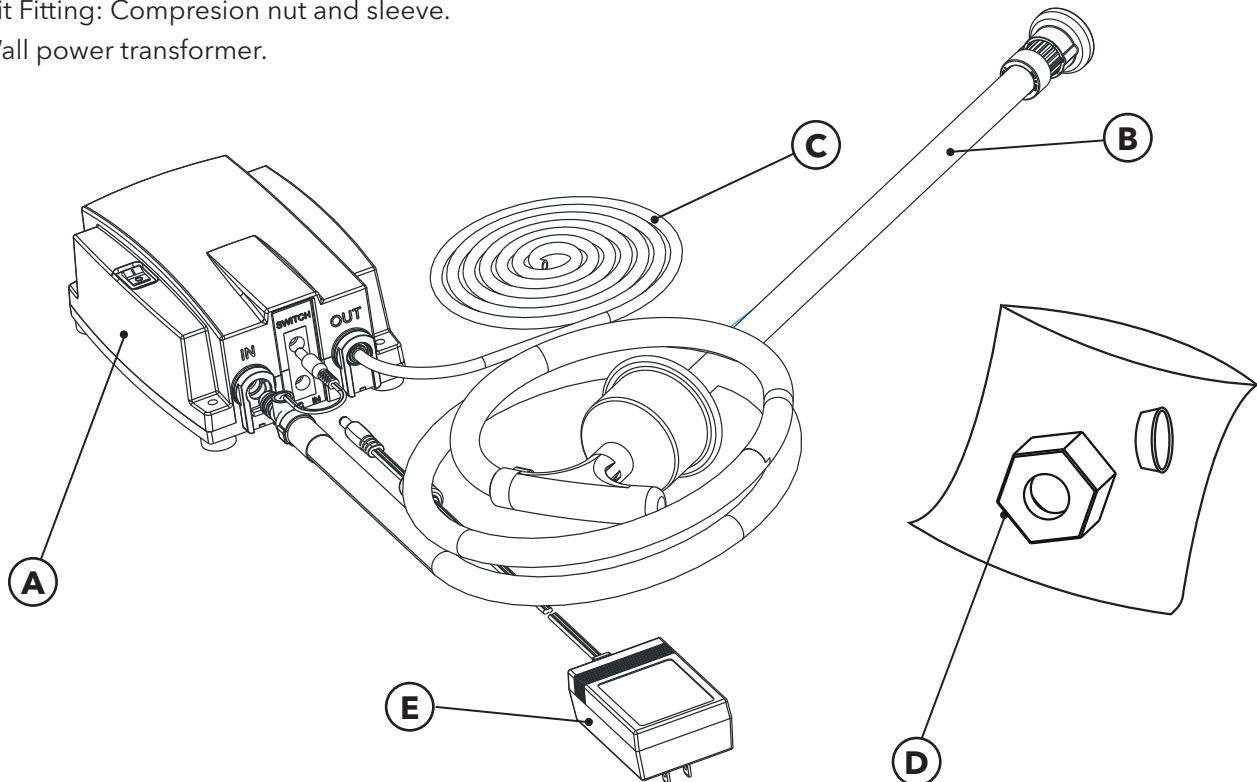
The heart of the system is the main module that automatically fills an appliance or dispenses water through a faucet when there is demand.

The system is equipped with an automatic thermal cut-off device for additional protection.



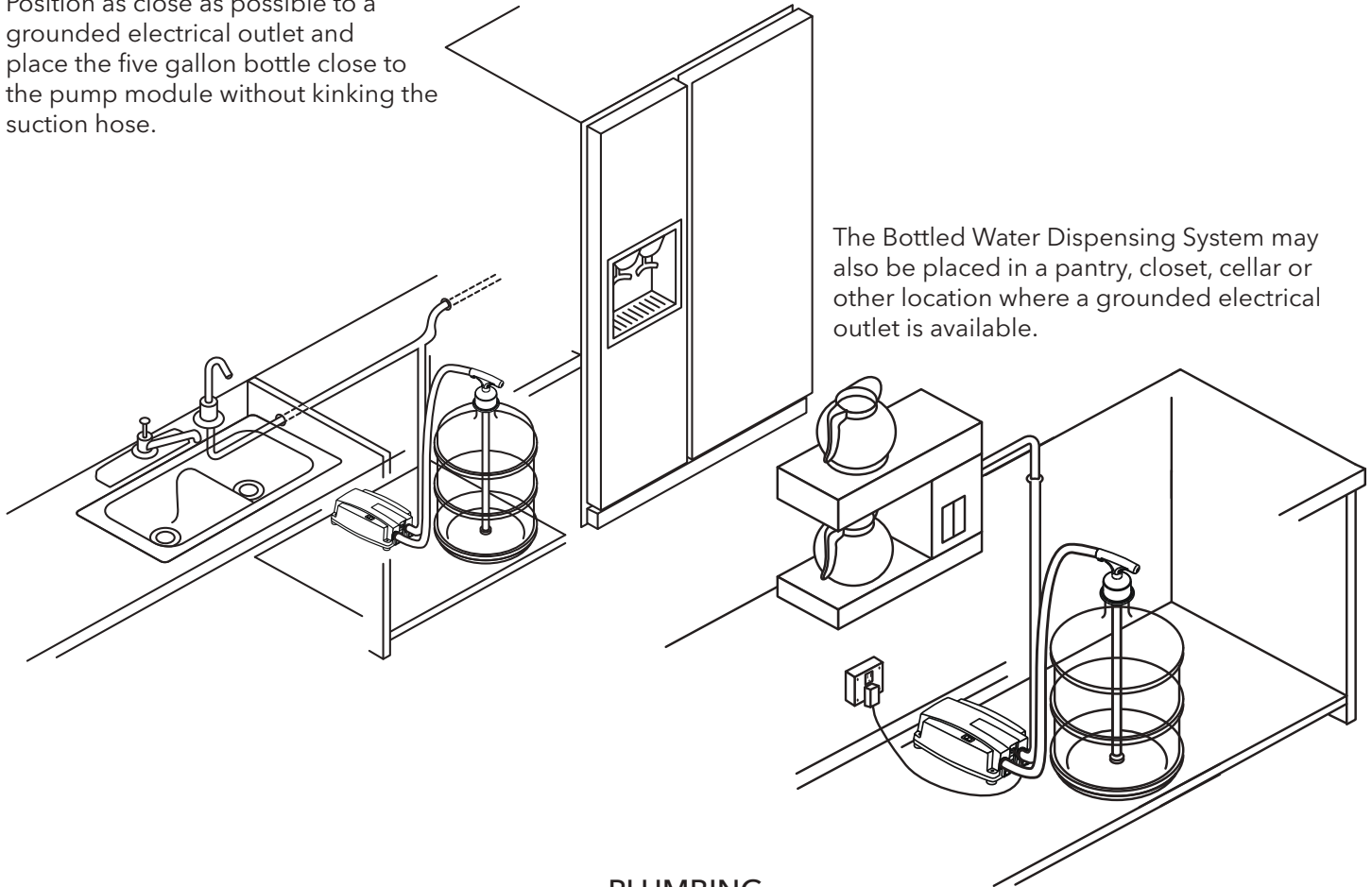
## INVENTORY OF SYSTEM COMPONENTS

- A.** Main module with On/Off rocker switch.
- B.** Suction Wand and Hose Assembly
- C.** 20 ft (6.1m) of 1/4 in. (6.35mm) Discharge Tube
- D.** Kit Fitting: Compression nut and sleeve.
- E.** Wall power transformer.



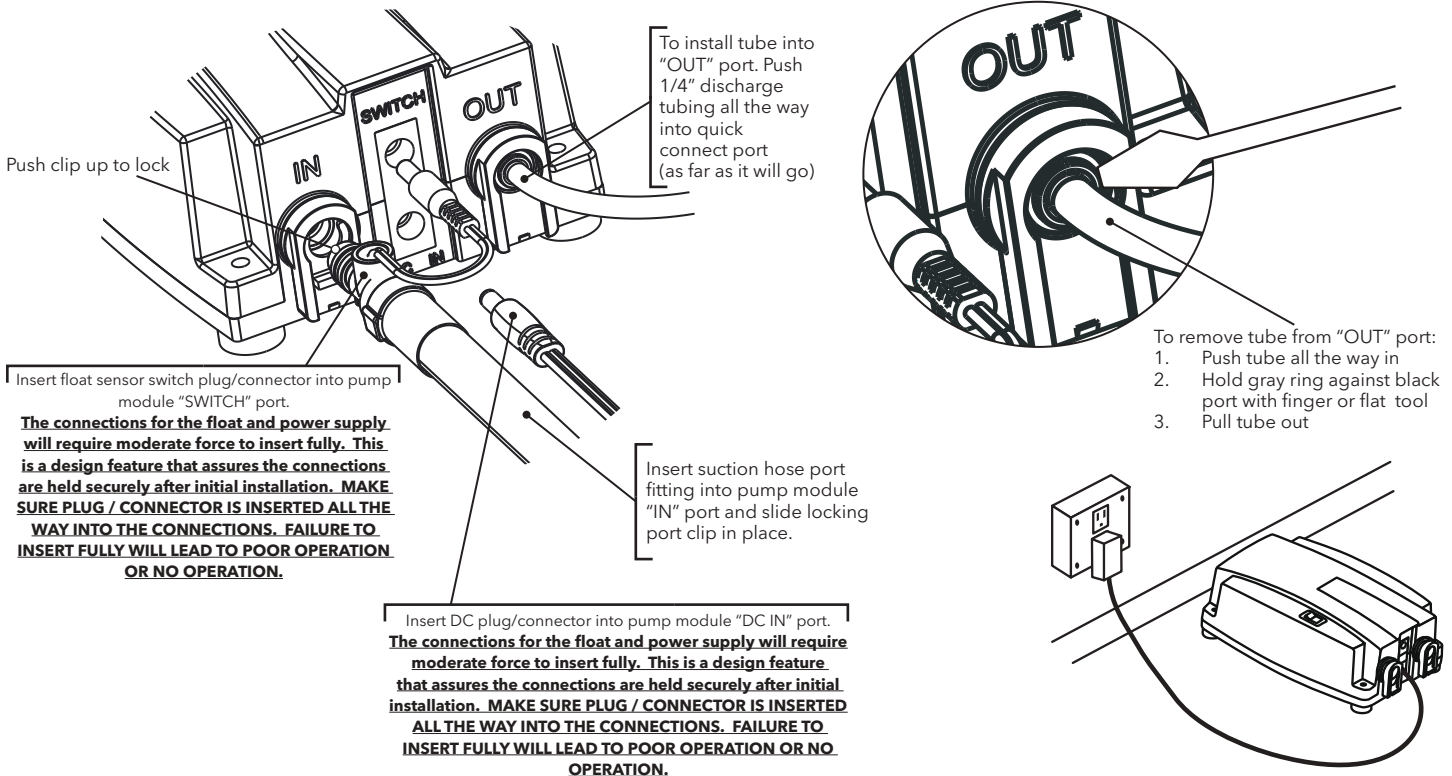
## PLUMBING INSTALLATION

Select a cabinet large enough to accommodate the 5 gallon (19L) bottle and suction wand assembly. Place the pump module on the floor of the cabinet with on/off switch and suction tube facing out toward the cabinet doors. Position as close as possible to a grounded electrical outlet and place the five gallon bottle close to the pump module without kinking the suction hose.



The Bottled Water Dispensing System may also be placed in a pantry, closet, cellar or other location where a grounded electrical outlet is available.

## PLUMBING



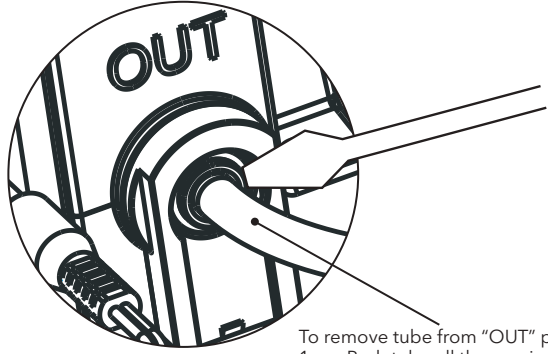
Push clip up to lock

To install tube into "OUT" port. Push 1/4" discharge tubing all the way into quick connect port (as far as it will go)

Insert float sensor switch plug/connector into pump module "SWITCH" port.  
**The connections for the float and power supply will require moderate force to insert fully. This is a design feature that assures the connections are held securely after initial installation. MAKE SURE PLUG / CONNECTOR IS INSERTED ALL THE WAY INTO THE CONNECTIONS. FAILURE TO INSERT FULLY WILL LEAD TO POOR OPERATION OR NO OPERATION.**

Insert suction hose port fitting into pump module "IN" port and slide locking port clip in place.

Insert DC plug/connector into pump module "DC IN" port.  
**The connections for the float and power supply will require moderate force to insert fully. This is a design feature that assures the connections are held securely after initial installation. MAKE SURE PLUG / CONNECTOR IS INSERTED ALL THE WAY INTO THE CONNECTIONS. FAILURE TO INSERT FULLY WILL LEAD TO POOR OPERATION OR NO OPERATION.**



- To remove tube from "OUT" port:
1. Push tube all the way in
  2. Hold gray ring against black port with finger or flat tool
  3. Pull tube out

## PLUMBING

There is 20 ft. (6.1 m) of 1/4 in. (6.35 mm) O.D. polyethylene tubing supplied with the FLOJET Bottled Water Dispensing System. Carefully measure the distance between the pump module outlet and the appliance water inlet or optional faucet, and cut the tubing clean and square to prevent fitting leaks. If the refrigerator and faucet are being connected, use 1/4 in. (6.35 mm) tube "T" fitting and place it in an accessible location. Push the cleanly cut tubing end into the pump module outlet port, past the o-ring to tube stop. Route tubing to the refrigerator water valve and connect it to the water inlet valve in the back of the refrigerator by using the tube connector fitting. First slip nut over the tube, then place the ferrule over the tube, then install onto the refrigerator water valve fitting and tighten.



**CAUTION:** DO NOT USE COPPER TUBING WITH ANY MODEL OF FLOJET BOTTLED WATER DISPENSING SYSTEMS

### For installation and use with commercial coffee and tea brewing equipment:

Many commercial coffee and tea brewing machines can be connected to a water supply line. Ensure that you have a 1/4 in. (6.35 mm) I.D. connection fitting at the water inlet that can accept the supplied 1/4 in. (6.35 mm) O.D. tubing. These brewing machines have a factory installed device that restricts incoming water to a safe pressure that won't damage the brewing machine. This device is usually referred to as an inlet pressure regulator or flow restrictor. If you intend to use the Flojet BW system with one of these brewing machines, you should remove the brewing machine's inlet restrictor device. Consult the brewing machine manufacturer for details. Failure to remove the brewing machine's restrictor may cause the Flojet BW series pump to cycle itself off and on repeatedly, leading to premature motor failure of the Flojet BW unit. This type of failure is not covered under warranty. Use of filter devices with your commercial brewer is unnecessary; see below

### For installation on refrigerators with ice making and/or water dispensing functions:

Do not use any external filtration devices. These will cause the pump to over-cycle, possibly causing premature pump failure, not covered under warranty. If your refrigerator has factory installed internal filtration that must remain in place as part of the water line, this too may cause over-cycling resulting in pump failure. Contact the refrigerator maker and inquire about obtaining an empty or dummy filter housing for use instead of the standard filter model. If none is available, the use of a small accumulator tank will be necessary. You may order Flojet P/N 30573002B, tank, and P/N 20381-064, fitting kit. Please contact Flojet for more information.

## ELECTRICAL



**WARNING:** Risk of Electrical Shock!



Follow all local electrical and safety codes.

Make sure power source conforms to the voltage on the power adapter provided with the Bottled Water System.

### Electrical installation

Electrical Hazard:



**WARNING:** Make sure that all connections are performed by qualified installation technicians and in compliance with the regulations in force.



**WARNING:** Before starting work on the unit, make sure that the unit and the control panel are isolated from the power supply and cannot be energized.

Installation:



**WARNING:**

- Observe accident prevention regulations in force.
- Use suitable equipment and protection.
- Always refer to the local and/or national regulations, legislation, and codes in force regarding the selection of the installation site, plumbing, and power connections.

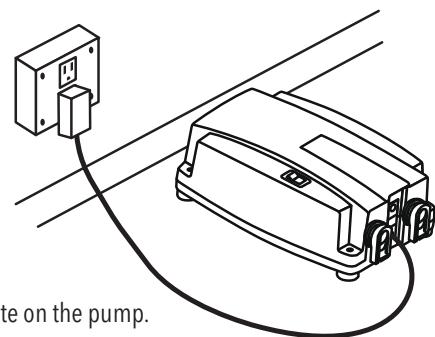
Electrical requirements:

The local regulations in force overrule specified requirements listed below.

### Electrical connection checklist

Check that the following requirements are met:

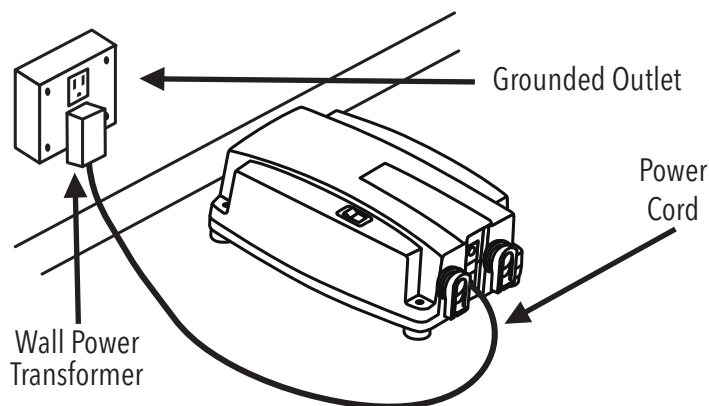
- The electrical leads are protected from high temperature, vibrations, and collisions.
- The current type and voltage of mains connection must correspond to the specifications on the data plate on the pump.



## SUCTION WAND INSTALLATION

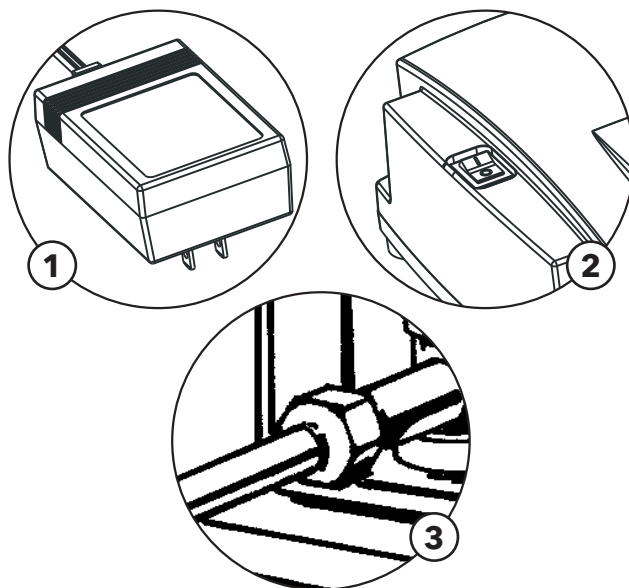
SANITIZE BOTTLED WATER SYSTEM AND WAND BEFORE INSERTING WAND INTO BOTTLE. To install the suction wand into standard 5 gallon bottle, place bottle close to system and remove bottle cap, then install suction wand into bottle. (Note: If bottle is over filled, dispense enough water to allow the suction wand to be installed to the bottom of the bottle). Push suction wand bottle cap over bottle and push wand to bottom center of bottle.

### SYSTEM START-UP



Before the Bottled Water Dispensing System is put into service, the system should be sanitized by following the maintenance and sanitation clean in-place procedure.

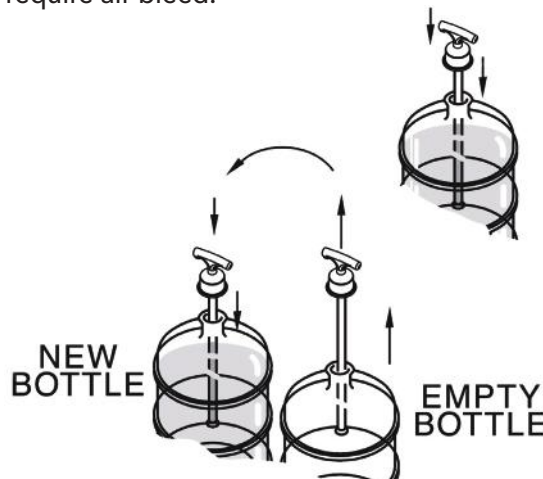
1. Connect Power Adapter to suitable AC Power Outlet. and connect low voltage connector to "DC IN" port on main unit.
2. Power Switch "ON".
3. Follow manufacturer's plumbing and operating instructions when connecting commercial coffee and Tea Brewers and refrigerators / Ice makers.
4. BLEED AIR FROM SYSTEM: Turn pump switch "ON". Water will begin to flow. Operate the system for 30 seconds to 1 minute into a 2-1/2 gallon pail. When the air is successfully purged from the system, a steady laminar flow of water will stream out the end of the hose.



NOTE: Air Bleed required only on start up. Changing bottles will not require air bleed.

### SUCTION WAND REMOVAL AND CHANGING BOTTLES

Before removing suction wand from empty bottle, move bottle to an open area outside of cabinet. Put new bottle next to empty bottle, clean neck and cap area with detergent, and remove cap. Remove suction wand from empty bottle by lifting wand cap with a rocking motion and pull cap off bottle, sliding suction wand out of the bottle and place directly into new bottle while sliding cap over new bottle neck.



Do not place suction wand on floor, counter, or sink as this could contaminate the suction wand assembly. If bottle is over filled, dispense enough water to allow the suction wand to be pushed to bottom of bottle.

## MAINTENANCE AND SANITATION

### Equipment Required

Two (2) 2 1/2 Gallon (9.6L) Household Pails.  
One (1) Roll of Paper Towels.  
One (1) Small Container of Household Bleach.  
Gloves / Glasses.

**Warning: Use the correct strength of bleach.  
If too much is used then there could be taste issues.**

### Clean In-Place Procedure

#### 1. Sanitize unit before first use.

Using the on/off switch on the front of the enclosure, turn Bottled Water Dispensing System off by putting the switch in the off position.

2. Cleaning should be performed at least six (6) times per year. System should be cleaned and flushed with fresh water if stagnant for more than 48 hours.

3. Fill a clean pail (A) with two (2) gallons of hot tap water (135°F/57.2°C), adding one (1) ounce of household bleach.

4. Remove the suction wand from the pure water bottle and submerge the bottle cap end into pail (A), taking care to ensure that the metal hose clamp connecting the hose to the suction wand(s) is/are totally immersed in the water/bleach solution, for ten minutes and then wash underside of cap and suction tube exterior with a clean paper towel. If using the optional Flojet faucet, disconnect the tubing. Remove the faucet, immersing it in the water/bleach solution for ten minutes. Wash the faucet exterior with clean paper towel; install the faucet and reconnect the tubing. Place suction wand into clean empty pail (B) and dispose of solution in pail (A).

5. Refill the cleaned pail (A) with two (2) gallons of hot tap water (135°F/57.2°C) adding one (1) ounce of household bleach and place suction wand(s) into pail with bottle cap up.

6. Disconnect the discharge tube from the faucet or the refrigerator and place into the empty second pail (B). (Do not use pail with clean water and chlorine solution).

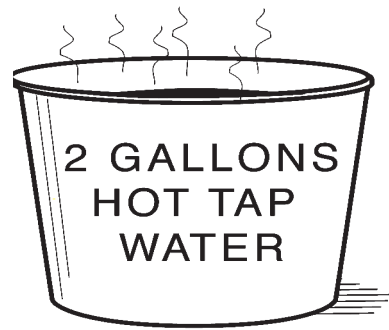
7. Turn dispensing system on, by placing on/off switch in the on position and dispense all of the chlorine solution into pail (B). Place discharge tube into pail (A) and dispose of bleach, and rinse pail (B). Replace tube into pail (B).

8. Refill pail (A) with two (2) gallons of hot tap water (135°F/ 57.2°C), adding one (1) ounce (29.57 mm) of household bleach. Dispense bleach as in step #6.

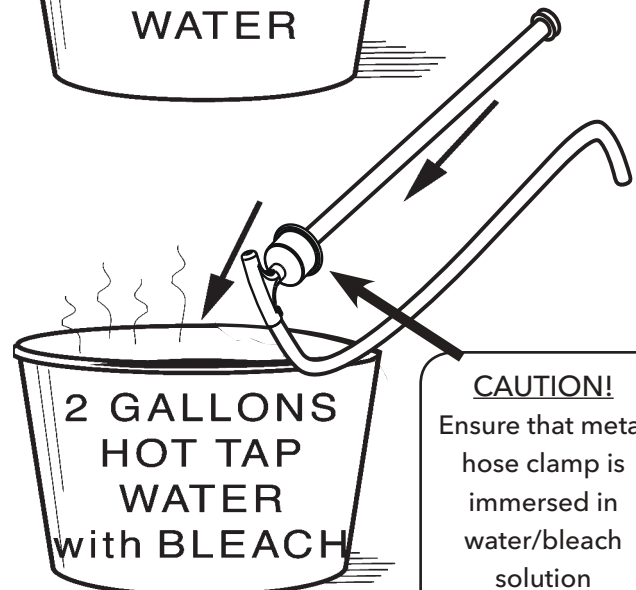
9. Reinstall suction wand(s) into new bottle(s) of pure water and reconnect discharge tube into refrigerator or faucet and dispense 12 to 18 ounces (355 ml to 532 ml) of water, or until bleach taste is removed.

### CAUTION

Do not place Bottled Water Dispensing System into a dishwasher as it will cause electrical failure of pump and controls.



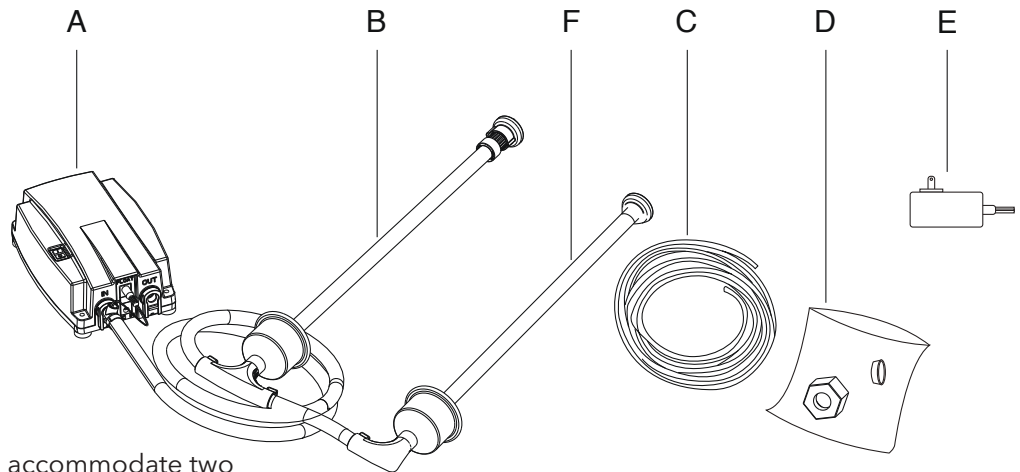
**CAUTION!**  
135°F (57.2°C)  
Maximum Water  
Temperature



**CAUTION!**  
Ensure that metal  
hose clamp is  
immersed in  
water/bleach  
solution

### INVENTORY OF SYSTEM COMPONENTS

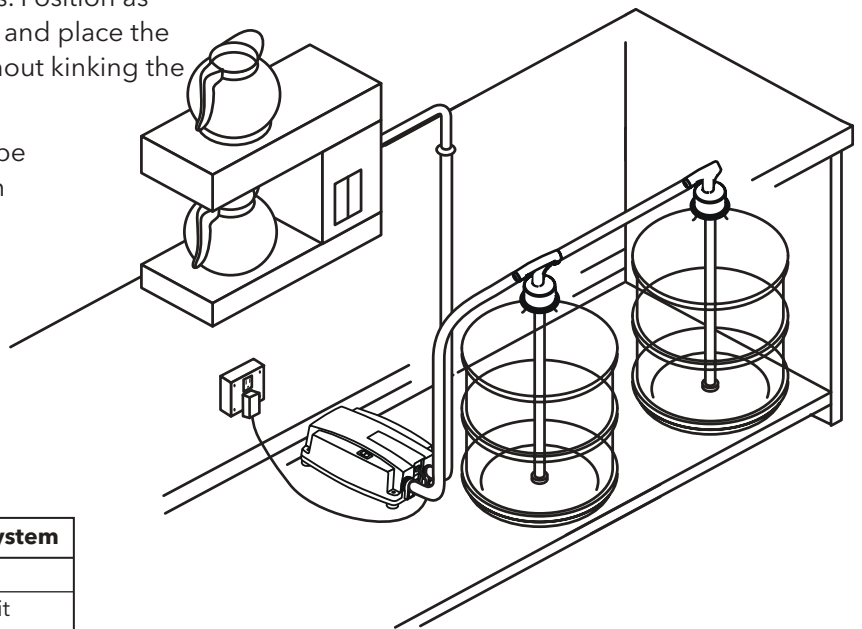
- A. Pump Module with On/Off Rocker Switch, 3.5 ft (1 m) cord.
- B. Suction Wand and Hose Assembly.
- C. 20 ft. (6.1 m) of 1/4 in. (6.35 mm) Discharge Tube.
- D. Kit Fitting: Compression nut and sleeve.
- E. Wall power transformer.
- F. Auxiliary feed tube.



### MOUNTING OF SYSTEM

Select a cabinet large enough to accommodate two (2) five gallon bottles and suction wands assemblies. Two bottles can be maximum sixteen inches apart. Place the Pump Module on the floor of the cabinet with on/off switch and suction tube facing out toward the cabinet doors. Position as close as possible to a grounded electrical outlet and place the five gallon bottle close to the Pump Module without kinking the suction hose.

The Bottled Water Dispensing System may also be placed in a pantry, closet, cellar or other location where a grounded electrical outlet is available.



Replacement Parts for 5000 Series Bottled Water System	
Model Number	Description
21000738A	5000 Series BW Single Inlet Wand Kit
21000739A	5000 Series BW Dual Inlet Wand Kit
20465010	1/4" Discharge hose/tube Kit
20465035	5000 Series BW Nut & Sleeve
20465015	US Power Transformer Kit
20465020	AU Power Transformer Kit
20465025	UK Power Transformer Kit
20465030	EU Power Transformer Kit

## TROUBLESHOOTING

### **System Will Not Dispense Water**

- Check on/off switch position
- Check power to dispensing system
- Check location of suction wand in bottle
- Check for empty bottle
- Check for air in system

### **Discharge Tube Leaks At Fitting**

- Push tube all the way into tube stop
- Remove tube and cut 1/4 in. (6.35 mm) off end, square and reinstall
- Check correct tube size in fitting, tube size is 1/4 in. (6.35 mm) O.D. Fitting 1/4 in. (6.35 mm) I.D.

### **System Gets warm and turns off**

- Check the float switch
- Check for leaks in discharge tube
- Thermal protection feature is activated due to excessive run time. This system is not for continuous duty applications

### **System Will Not Shut-Off**

- Check for leaks in tubing system
- Check for leaks at tube fittings
- Check for leaks at faucet, ice maker or refrigerator water valve
- Check pressure switch by turning faucet off and on
- Check float switch position in bottle

### **System Continually Turns Off and On While in Use**

- Check for restriction device at appliance inlet.
- Check for filter unit in line, remove if present.
- Check for internal filters in the refrigerator, remove if present.

---

## WARRANTY

Flojet warrants this product to be free of defects in material and/or workmanship for a period of one (1) year after purchase by the customer from Flojet. During this one (1) year warranty period, Flojet will, at its option and at no charge to the customer, repair or replace this product if found defective in material or workmanship, with a new or reconditioned product. But not to include costs of removal or installation.

This is only an overview of our limited warranty. If you would like a copy of our warranty, please call or write Flojet.

Flojet  
17942 Cowan  
Irvine, CA 92614  
Tel: +1 949 608 3900  
Fax: +1 949 608 3887  
[www.xylemflowcontrol.com](http://www.xylemflowcontrol.com)

## RETURN PROCEDURE

Prior to returning any product to Flojet, call +1 949 608 3900 customer service for an authorization number. This number must be written on the outside of the shipping package. Place a note inside the package with an explanation regarding the reason for return as well as the authorization number (include your name, address and phone number).



Antes de devolver cualquier producto a Flojet, llame al Servicio al Cliente para obtener un número de autorización. Este número debe escribirse en el exterior del embalaje. Coloque en el interior del embalaje una nota con una explicación relativa al motivo de la devolución, como también el número de autorización (incluya su nombre, dirección y número telefónico).

## PROCEDIMIENTO DE DEVOLUCIÓN

Flojet  
17942 Cowan  
Irvine, CA 92614  
Tel: +1 949 608 3900  
Fax: +1 949 608 3887  
www.xyleneflowcontrol.com

Esta es sólo una descripción general de nuestra garantía limitada. Si desea una copia de nuestra garantía, llame o escriba a Flojet.

Flojet garantiza que este producto está libre de defectos de material y/o mano de obra por un periodo de un (1) año a partir de la fecha de compra del cliente a Flojet. Durante este periodo de garantía de un (1) año, Flojet reparará o reemplazará este producto por otro nuevo o reacondicionado, a la sola opción de Flojet y sin cargo para el cliente, si determina que el producto tiene defectos de material o mano de obra. No obstante, no se incluyen los costos de desmontaje o instalación.

## GARANTÍA

### RESOLUCIÓN DE PROBLEMAS

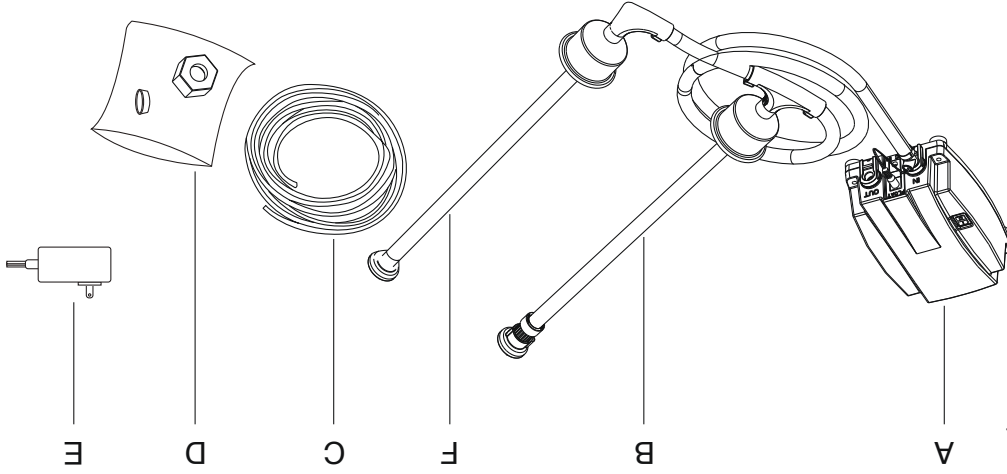
- |   |   |
|---|---|
| <p><b>El sistema no se apaga</b></p> <ul style="list-style-type: none"> <li>• Verifique si hay fugas en el sistema de tubería</li> <li>• Verifique si hay fugas en los accesorios de conexión de tubos</li> <li>• Verifique si hay fugas en el grifo o la válvula de agua del dispensador de hielo o el refrigerador</li> <li>• Revise el interruptor de presión abriendo y cerrando el grifo</li> <li>• Verifique la posición del flotador en el botellón</li> </ul> | <p><b>El sistema no dispensa agua</b></p> <ul style="list-style-type: none"> <li>• Verifique la posición del interruptor de encendido</li> <li>• Verifique la alimentación eléctrica del sistema</li> <li>• Verifique la posición del tubo de succión en el botellón</li> <li>• Verifique si el botellón está vacío</li> <li>• Verifique si hay aire en el sistema</li> </ul>   |
| <p><b>El sistema se enciende y apaga continuamente durante el funcionamiento</b></p> <ul style="list-style-type: none"> <li>• Revise el dispositivo de restricción de la entrada del artefacto.</li> <li>• Revise la unidad de filtro de la tubería, eliminar si está presente.</li> <li>• Revise los filtros internos en el refrigerador, eliminar si está presente.</li> </ul>  | <p><b>El tubo de descarga pierde en la conexión</b></p> <ul style="list-style-type: none"> <li>• Introduzca el tubo hasta el tope del mismo</li> <li>• Retire el tubo, córtelo en escuadra a 6,35 mm (1/4 pulg.) del extremo y vuelva a instalarlo</li> <li>• Verifique que el tamaño del tubo sea correcto en el accesorio de conexión, el diámetro externo debeser 1/4 pulg. (6,35 mm). El diámetro interno del accesorio de conexión debe ser también 1/4 pulg.</li> </ul> |
| <p><b>El sistema se calienta y se apaga</b></p>   | <ul style="list-style-type: none"> <li>• Revise el interruptor de flotador</li> <li>• Verifique si hay fugas en el tubo de descarga</li> <li>• La función de protección térmica se activa debido a tiempo de operación excesivo. Este sistema no es para el uso continuo.</li> </ul>  |

## Sistema Dispensador de Agua Bottellón con Doble Entrada

Manual de instrucciones de instalación y mantenimiento  
(Próximo lanzamiento)

### INVENTARIO DE COMPONENTES DEL SISTEMA

- A. Módulo de bomba con interruptor, cable de 1 m (3.5 pies).
- B. Conjunto de bastón y manguera de succión.
- C. 6,1 m (20 pies) de tubería de descarga de 1/4 pulg. (6,35 mm).
- D. Accesorios de conexión: tuerca y empaque.
- E. Transformador de pared.
- F. Bastón de alimentación auxiliar.

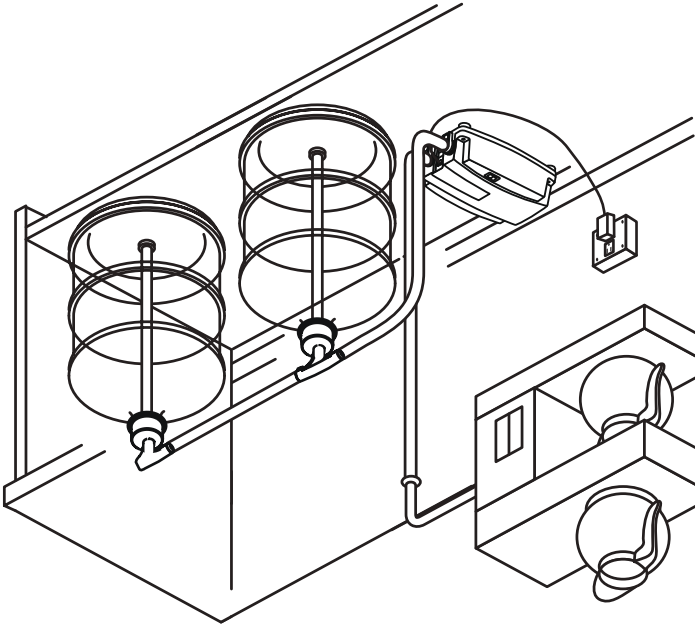


### MONTAJE DEL SISTEMA

Seleccione un gabinete suficientemente grande como para alojar los dos conjuntos de bottellón de 19 l (5 galones) y tubo de succión. Los dos bottellones pueden colocarse con una separación máxima de 40 cm (16 pulg.) Coloque el módulo de bomba sobre el piso del gabinete con el interruptor de encendido y el tubo de succión mirando hacia afuera de las puertas del gabinete. Ubíquelo tan cerca de un tomacorriente con conexión a tierra como sea posible y coloque el bottellón de cinco galones próximo al módulo de bomba, sin retorcer el tubo de succión.

El sistema dispensador de agua de bottellón se puede colocar también en la despensa de la cocina, un closet, la bodega u otro lugar donde se disponga de un tomacorriente con conexión a tierra.

Partes de reemplazo para el Sistema para Agua Embotellada Series 5000	
No. Modelo	Descripción
21000738A	5000 Series BW kit de bastón entrada sencilla
21000739A	5000 Series BW kit de bastón entrada doble
20465010	Kit manguera/tubo de descarga de 1/4"
20465035	5000 Series BW tuerca y empaque
20465015	US Transformador de corriente
20465020	AU Transformador de corriente
20465025	UK Transformador de corriente
20465030	EU Transformador de corriente



**MANTENIMIENTO Y SANITIZACIÓN**

Equipos necesarios

Dos (2) cubos domésticos de 9,6 L (2 ½ galones)

Un (1) rollo de toallas de papel

Un (1) envase pequeño de blanqueador doméstico

Guantes / Lentes.

**Advertencia: Utilice la concentración correcta de blanqueador. Si se usa demasiado, entonces podría haber problemas de sabor.**

**Procedimiento de limpieza in-situ**

1. Apague el sistema dispensador de agua de botellón con el interruptor de encendido del frente de la cubierta, colocándolo en la posición "OFF";

2. Llene un cubo limpio (A) con 8 litros (2 galones) de agua corriente caliente (57,2°C/135°F) y agregue 30 g (1 onza) de lejía doméstica.

3. Retire el tubo de succión del botellón de agua pura y

sumerja el extremo de la tapa de este último en el cubo (A), teniendo cuidado de asegurar que la abrazadera metálica que conecta la manguera al tubo de succión esté totalmente

sumergida en la solución de blanqueador y agua durante diez minutos, y lave luego la parte inferior de la tapa y el exterior del tubo de succión con una toalla de papel limpia.

Si usa el grifo opcional Flojet, desconecte la tubería. Retire el grifo y suméjalo en la solución de blanqueador y agua durante diez minutos. Lave el exterior del filtro con una toalla de papel limpia, instale el grifo y vuelva a conectar la tubería.

Coloque el tubo de succión en el cubo vacío limpio (B) y deseche la solución del cubo (A).

4. Limpie el cubo (A) y vuelva a llenarlo con 8 litros (2 galones) de agua corriente caliente (57,2°C/135°F), agregue 30 g (1 onza) de blanqueador doméstico y coloque el o los tubos de succión en el cubo con la tapa del botellón hacia arriba.

5. Desconecte el tubo de descarga del grifo o el refrigerador y colóquelo en el segundo cubo vacío (B). (No use el cubo con la solución limpia de blanqueador y agua).

6. Encienda el sistema dispensador, colocando el interruptor de encendido en posición "ON", y vierta toda la solución de cloro en el cubo (B). Coloque el tubo de descarga en el cubo (A), deseche el blanqueador y enjuague el cubo (B). Vuelva a colocar el tubo en el cubo (B).

7. Vuelva llenar el cubo limpio (A) con 8 litros (2 galones) de agua corriente caliente (57,2°C/135°F) y agregue 30 g (1 onza) de blanqueador doméstico. Deseche el blanqueador como se indica en el paso 6.

8. Reinstale el o los tubos de succión en el o los botellones nuevos de agua pura, vuelva a conectar el tubo de descarga al refrigerador o grifo y dispense 355 a 532 ml (12 a 18 onzas) de agua o hasta que desaparezca el gusto a lejía.

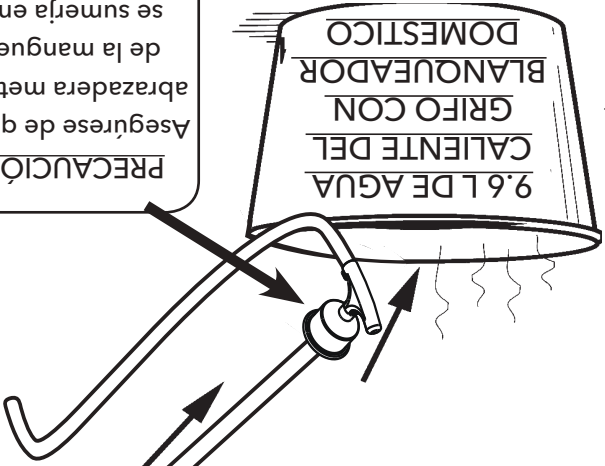
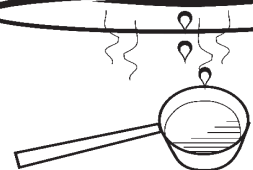
9. Esta limpieza debe realizarse como mínimo seis (6) veces por año. El sistema se debe limpiar y enjuagar con agua potable si el agua queda estancada durante más de 48 horas.

**PRECAUCIÓN**

No coloque el sistema dispensador de agua de botellón en un lavavajilla puesto que causará fallas eléctricas de la bomba y los controles.



**PRECAUCIÓN**  
57,2°C (135°F)  
Temperatura  
máxima del agua

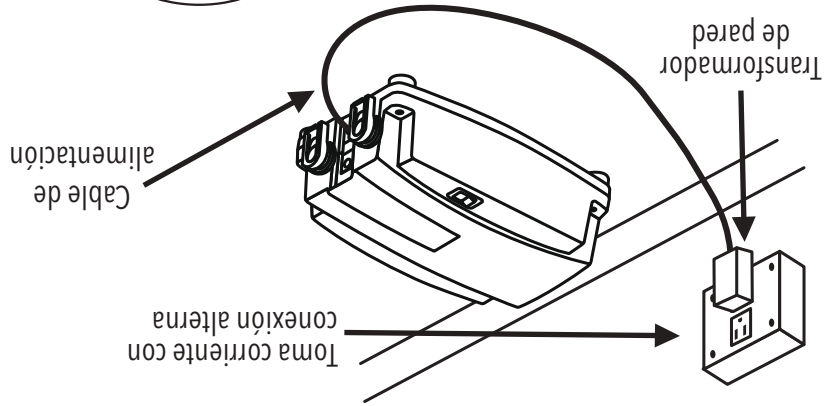


**PRECAUCIÓN!**  
Asegúrese de que la abrazadera metálica de la manguera se sumerja en la solución de lejía y agua

## INSTALACIÓN DEL TUBO DE SUCCIÓN

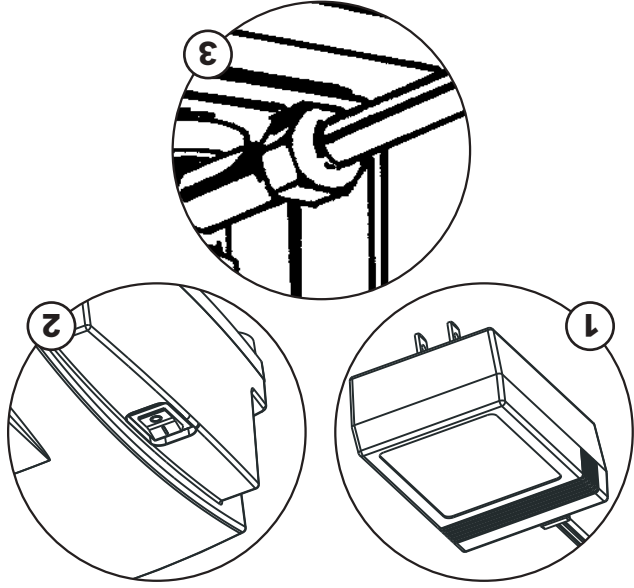
DESINFECTE SISTEMA DE AGUA EMBOTELLADA Y TUBO DE SUCCIÓN ANTES DE INSTALARLO. Para instalar el tubo de succión en el botellón estándar de 19 L, coloque dicho botellón cerca del sistema y retire la tapa del mismo para instalar el tubo de succión en su interior. (Nota: Si el botellón está lleno en exceso, dispense suficiente agua para permitir que el tubo de succión se instale en el fondo). Presione la tapa del botellón con el tubo de succión sobre el mismo y presione el tubo hasta el centro del fondo del botellón.

## PUESTA EN MARCHA DEL SISTEMA



Antes de ponerlo en servicio, el sistema dispensador de agua de botellón debe sanitizarse de acuerdo al procedimiento de mantenimiento y sanitización con limpieza en su lugar.

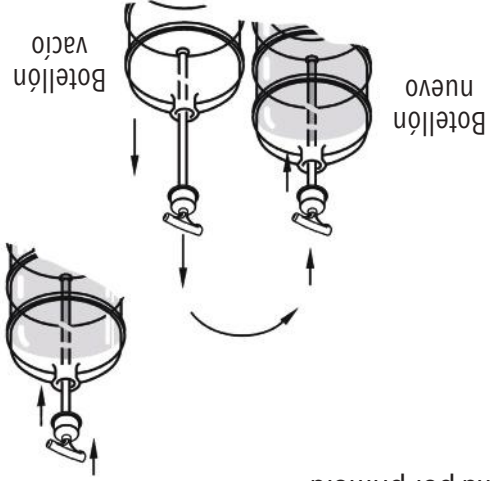
1. Conecte el adaptador de alimentación a un tomacorriente AC adecuado, y coloque el conector de bajo voltaje en la entrada "DC IN" de la unidad principal. Encender el interruptor.
2. Siga las instrucciones de instalación y operación del fabricante al conectar la unidad a máquinas de café, té, de hielo y refrigeradores.
3. PURGAR EL AIRE DEL SISTEMA: Encienda el interruptor de la bomba. El agua comenzará a fluir. Déjelo funcionando entre 30 segundos a 1 minuto en un cubo de 9,6 L. Cuando el aire sea purgado con éxito del sistema, el flujo de agua saldrá constante y laminado fuera del extremo de la manguera.



NOTA: La purga de aire es obligatoria sólo al poner en marcha el sistema por primera vez. Al reemplazar los botellones no será necesario.

## REMOCIÓN DEL TUBO DE SUCCIÓN Y CAMBIO DE BOTELLONES

Antes de retirar el tubo de succión del botellón vacío, lleve el botellón a un área abierta fuera del gabinete. Coloque el botellón nuevo junto al vacío, limpie el área del cuello y la tapa con detergente y retire la tapa. Retire el tubo de succión del botellón vacío levantando la tapa con el tubo con movimiento de balanceo, extraiga la tapa del botellón, extraiga el tubo de succión del mismo y colóquelo en el botellón nuevo deslizando la tapa sobre el cuello de este último.



No coloque el tubo de succión en el piso, el mostrador o el fregadero, puesto que puede contaminarse. Si el botellón está lleno en exceso, dispense suficiente agua para permitir que el tubo de succión se instale en el fondo del mismo.

## INSTALACIÓN DE TUBERÍAS

Con el sistema dispensador de agua de botellón de agua FLOJET se suministran 6,1 m (20 pies) de tubería de polietileno de 1/4 pulg. (6,35 mm) de diámetro externo. Mida cuidadosamente la distancia entre la salida del módulo de bomba y la entrada de agua del artefacto o el grifo opcional, y corte la tubería limpiamente en escuadra para evitar pérdidas en la conexión. Si va a conectar al refrigerador y el grifo opcional, use el accesorio de conexión "T" de tubería de 1/4 pulg. (6,35 mm) y colóquelo en un lugar accesible. Coloque el extremo de la tubería cortado limpiamente en la conexión de salida del módulo de bomba, más allá de la junta tórica hasta el tope. Dirija la tubería a la válvula de agua del refrigerador y conéctela a la válvula de entrada de la parte trasera del mismo, usando el accesorio de conexión de tubería. Deslice primero la tuerca sobre el tubo, coloque el casquillo sobre el mismo, instálelo en la conexión de la válvula de agua del refrigerador y apriétela.



**PRECAUTION : NO USAR TUBERÍA DE COBRE EN NINGUN MODELO DE SISTEMAS DE DISPENSADORES DE AGUA.**

**Para instalación y uso con equipos percoladores comerciales de café y té.**

Es posible conectar a una tubería de suministro de agua muchos percoladores comerciales de café y té. Asegúrese de tener un accesorio de conexión de 1/4 pulg. (6,35 mm) de diámetro interno en la entrada de agua que pueda aceptar la tubería de 1/4 pulg. (6,35 mm) de diámetro externo. Los percoladores tienen un dispositivo instalado en la fábrica que restringe la entrada de agua a una presión segura que no dañe la máquina. Este dispositivo se denomina habitualmente regulador de presión de entrada o restrictor de caudal y limita la presión del agua entrante a aproximadamente 90-100 psi. Si desea usar el sistema Flojet BW con uno de estos percoladores, debe retirar el dispositivo restrictor de la entrada de dicha máquina. Consulte los detalles del percolador al fabricante del mismo. Si no se retira el restrictor del percolador, puede ocurrir que la bomba serie Flojet BW se apague y encienda repetidamente, produciendo una falla prematura del motor de la unidad. Este tipo de falla no está cubierto por la garantía. No es necesario usar dispositivos de filtro con su percolador comercial –vea más abajo

**Para instalación en refrigeradores con funciones de dispensador de hielo y/o agua:**

No use ningún dispositivo de filtro externo. Si lo hace, se producirán ciclos repetidos de encendido y apagado de la bomba, que pueden causar la falla prematura de la misma, no cubierta por la garantía. Si su refrigerador viene con un sistema de filtro interno instalado en la fábrica que debe permanecer en su sitio como parte de la tubería de agua, este dispositivo puede causar también un exceso de ciclos que produce la falla de la bomba. Contacte al fabricante del refrigerador acerca de la obtención de una carcasa de filtro vacía o sustituta para usar en lugar del modelo de filtro estándar. Si no se dispone de ninguna, será necesario usar un pequeño tanque acumulador. Puede solicitar el tanque, N/P Flojet 30573002, y el juego de accesorios de conexión N/P 20381-064. Para más información, contacte a Flojet.

## ELECTRICAL



**ADVERTENCIA: ¡Riesgo de choque eléctrico!**



Siga todos los códigos eléctricos y de seguridad locales.

Asegúrese que la energía que se suministra es similar a la requerida por el adaptador de alimentación que se suministra con el sistema de agua embotellada.

### Instalación eléctrica

Riesgo eléctrico:



**ADVERTENCIA:** Asegúrese de que todas las conexiones son realizadas por un técnico autorizado y de conformidad con las normas vigentes.



**ADVERTENCIA:** Antes de empezar a trabajar en la unidad, asegúrese de que la unidad y el panel de control están aislados de la red eléctrica y no pueden ser energizados.

Instalación:



### ADVERTENCIA:

- Cumplir con los reglamentos de prevención de accidentes vigentes.

- Use equipo y protección adecuada.

- Consulte siempre a nivel local y/o nacional, la legislación y los códigos vigentes en materia de selección de las conexiones del sitio de instalación, plomería y electricidad.

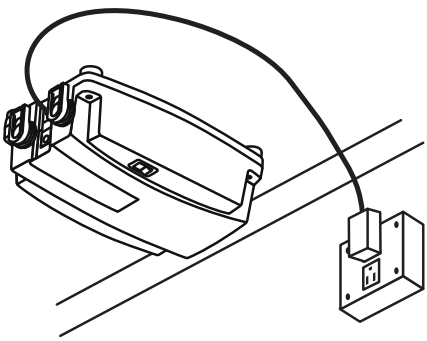
Requerimientos:

Las regulaciones locales en los requerimientos de anulación especificada vigentes que se enumeran a continuación.

### Lista de verificación de conexiones eléctricas

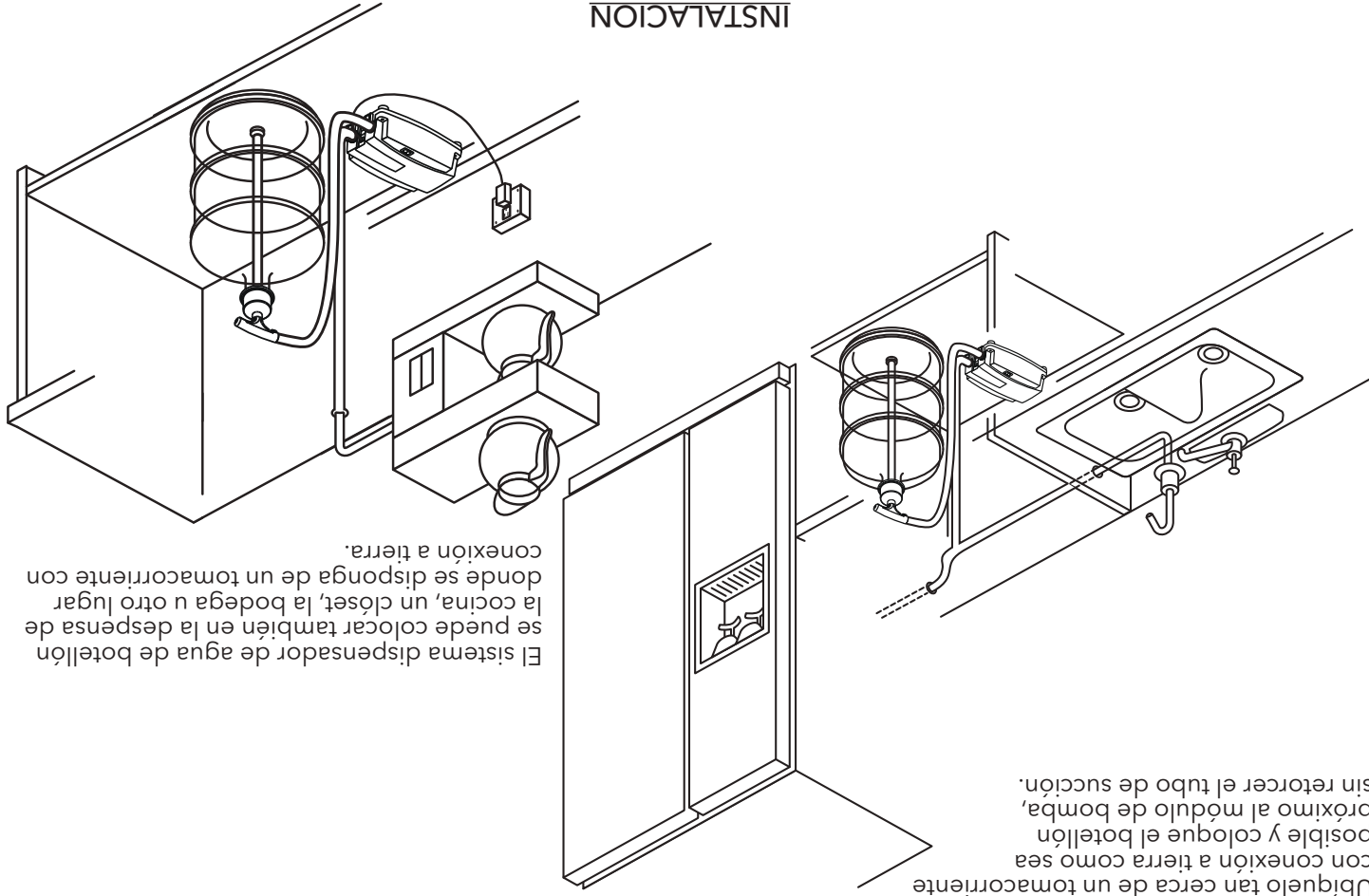
Compruebe que se cumplan los siguientes requisitos:

- Los conductores eléctricos están protegidos contra alta temperatura, vibraciones, y colisiones.
- El tipo de corriente y voltaje de conexión de la red deben corresponder a las especificaciones de la placa de especificaciones de la bomba.



## INSTALACION DE TUBERIA

Seleccione un gabinete suficientemente grande para alojar el conjunto de botellón de 19 L (5 galones) y el tubo de succión. Coloque el módulo de bomba sobre el piso del gabinete con el interruptor de encendido y el tubo de succión mirando hacia afuera de las puertas del gabinete. Ubíquelo tan cerca de un tomacorriente con conexión a tierra como sea posible y coloque el botellón próximo al módulo de bomba, sin retorcer el tubo de succión.

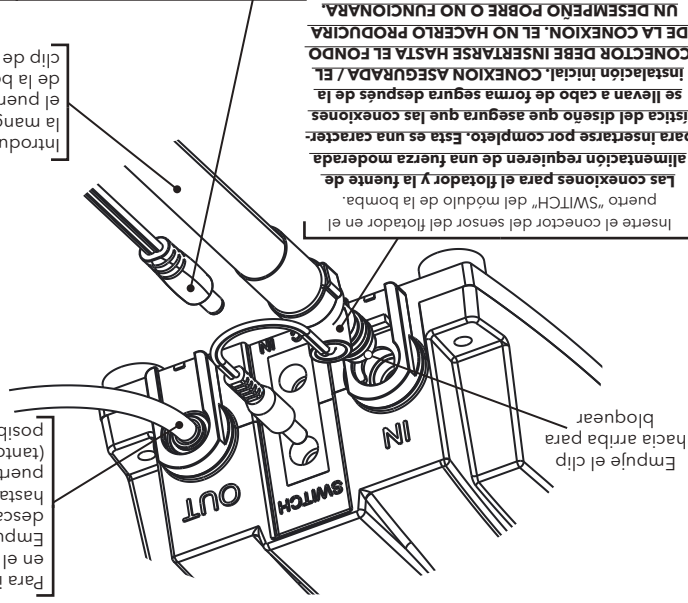


El sistema dispensador de agua de botellón se puede colocar también en la despensa de la cocina, un clóset, la bodega u otro lugar donde se disponga de un tomacorriente con conexión a tierra.

## INSTALACION

Para instalar el tubo en el puerto "OUT", empuje el tubo de descarga de 1/4" hasta el fondo en el puerto de conexión (tanto como sea posible).

Empuje el clip hacia arriba para bloquear

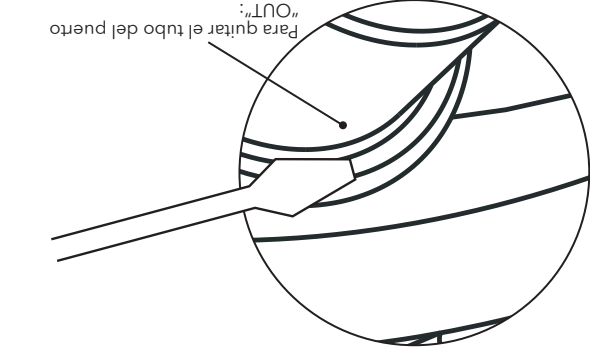


Inserte el conector del sensor del flotador en el puerto "SWITCH" del módulo de la bomba.

Las conexiones para el flotador y la fuente de alimentación requieren de una fuerza moderada para insertarse por completo. Esta es una característica del diseño que asegura que las conexiones se lleven a cabo de forma segura después de la instalación inicial. CONEXION ASEGURADA / EL CONECTOR DEBE INSERTARSE HASTA EL FONDO DE LA CONEXION. EL NO HACERLO PRODUCIRA UN DESEMPEÑO POBRE O NO FUNCIONARA.

Inserte el conector en el puerto "DC IN" del módulo de la bomba. Las conexiones para el flotador y la fuente de alimentación requieren de una fuerza moderada para insertarse por completo. Esta es una característica del diseño que asegura que las conexiones se lleven a cabo de forma segura después de la instalación inicial. CONEXION ASEGURADA / EL CONECTOR DEBE INSERTARSE HASTA EL FONDO DE LA CONEXION. EL NO HACERLO PRODUCIRA UN DESEMPEÑO POBRE O NO FUNCIONARA.

Introduzca el adaptador de la manguera de succión en el puerto "IN" del módulo de seguridad.



1. Empuje el tubo hasta el fondo "OUT".
2. Mantenga sujetado el anillo gris contra el puerto negro plana
3. Separe el tubo

## CÓMO FUNCIONA EL SISTEMA

El sistema dispensador para agua embotellada Series 5000 de FLOJET está diseñado para bombear agua purificada desde un botellón de 19 litros (5 galones) disponible comercialmente. El sistema entrega agua a presión a un grifo de agua purificada individual, para la entrada de agua de un refrigerador, para el dispensador de hielo y para el grifo de agua potable enfriada, así como a ciertos percoladores comerciales de café y té.



Cuando se inserta el tubo de succión en el botellón, estándar de 19 litros se activa el interruptor del flotador en el extremo del mismo y se pone en marcha la bomba. Este mismo interruptor de flotador apaga el sistema cuando se vacía el botellón. El tubo tiene una válvula de prevención de contraflujos que impide que el agua del sistema vuelva al botellón o se derrame cuando se cambian botellones.



El corazón del sistema es el módulo principal, que ajusta automáticamente el caudal y la presión para llenar un artefacto o grifo y se detiene automáticamente como protección adicional.

## INVENTARIO DE COMPONENTES DEL SISTEMA

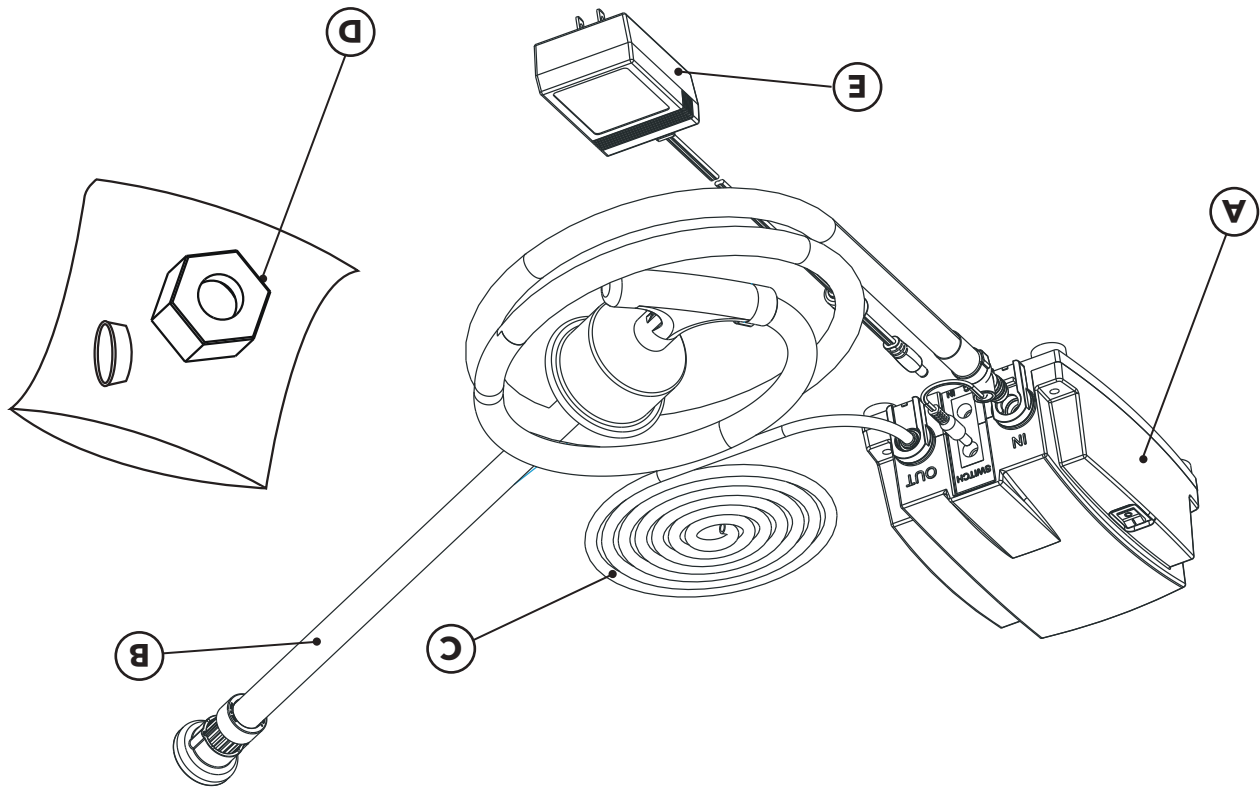
**A.** Módulo principal con interruptor

**B.** Conjunto de bastón y manguera de succión.

**C.** 6,1 m (20 pies) de tubería de descarga de 1/4 pulg. (6,35 mm).

**D.** Accesorios de conexión: Tuerca y empaque.

**E.** Transformador de pared.

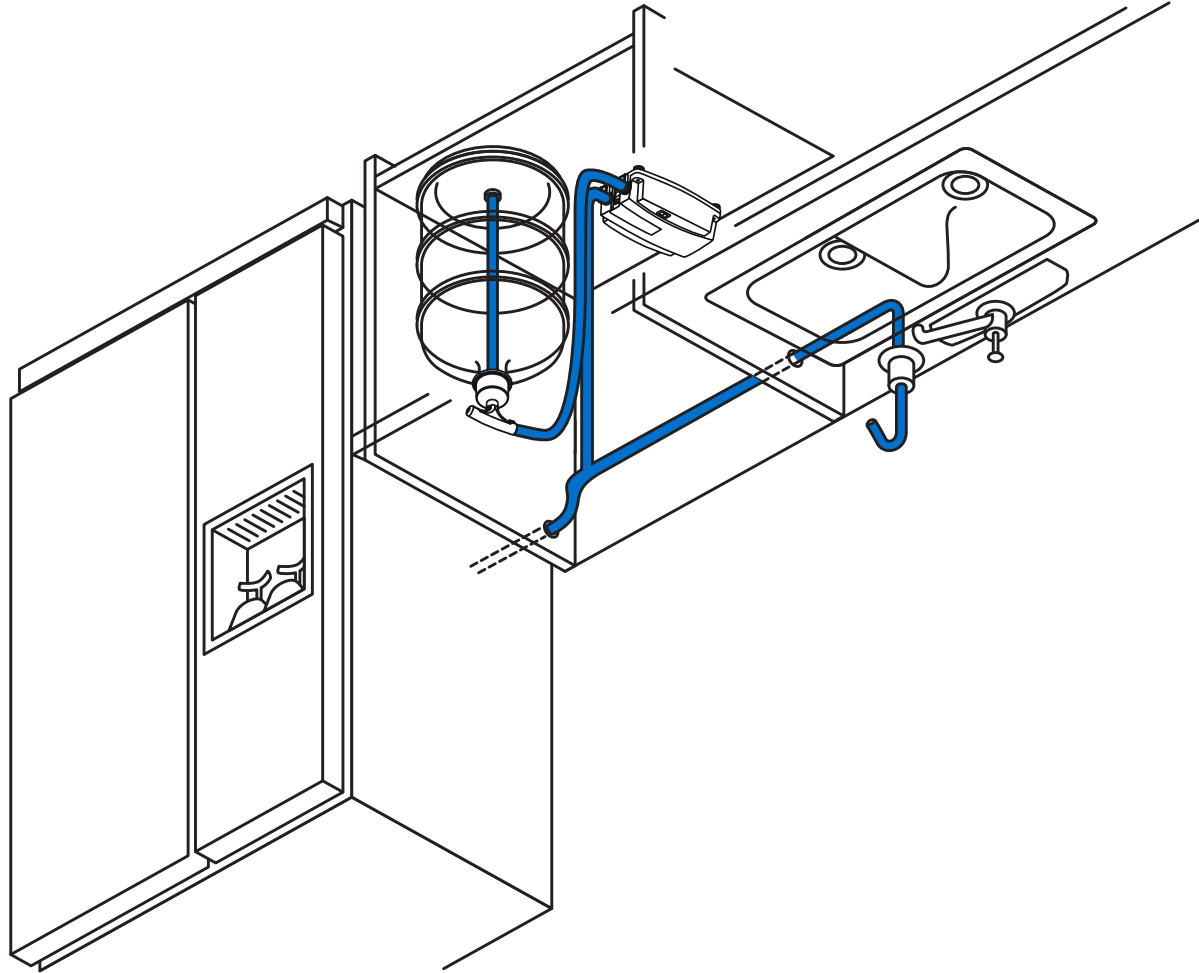


**FLOJET**

a xylem brand

# BottledWaterSystem 5000 SERIES

Sistema para Agua Embotellada Series 5000



[www.xylemflowcontrol.com](http://www.xylemflowcontrol.com)

© 2015 Xylem Inc. All rights reserved.  
Flojet is a trademark of Xylem Inc. or one of its subsidiaries.  
81000453 Rev A. 04/2015

**FLOJET**

Sistema para Agua Embotellada Series 5000 por