

In this Issue:

Changes to 23x23 ICDI (Ice-Cooled Drop-Ins)..... 2-4

Technical Bulletin Distribution:

The Lancer Engineering Department publishes a Technical Bulletin every other month. To subscribe or unsubscribe from the Tech Bulletin, go to lancerworldwide.com. Lancer Installation and Service Manuals, Instruction Sheets, previous Technical Bulletins, and a complete index of Technical Bulletin articles are also available at lancerworldwide.com. For general questions about the Tech Bulletin, email custserv@lancerworldwide.com or call (888) 846-6729.

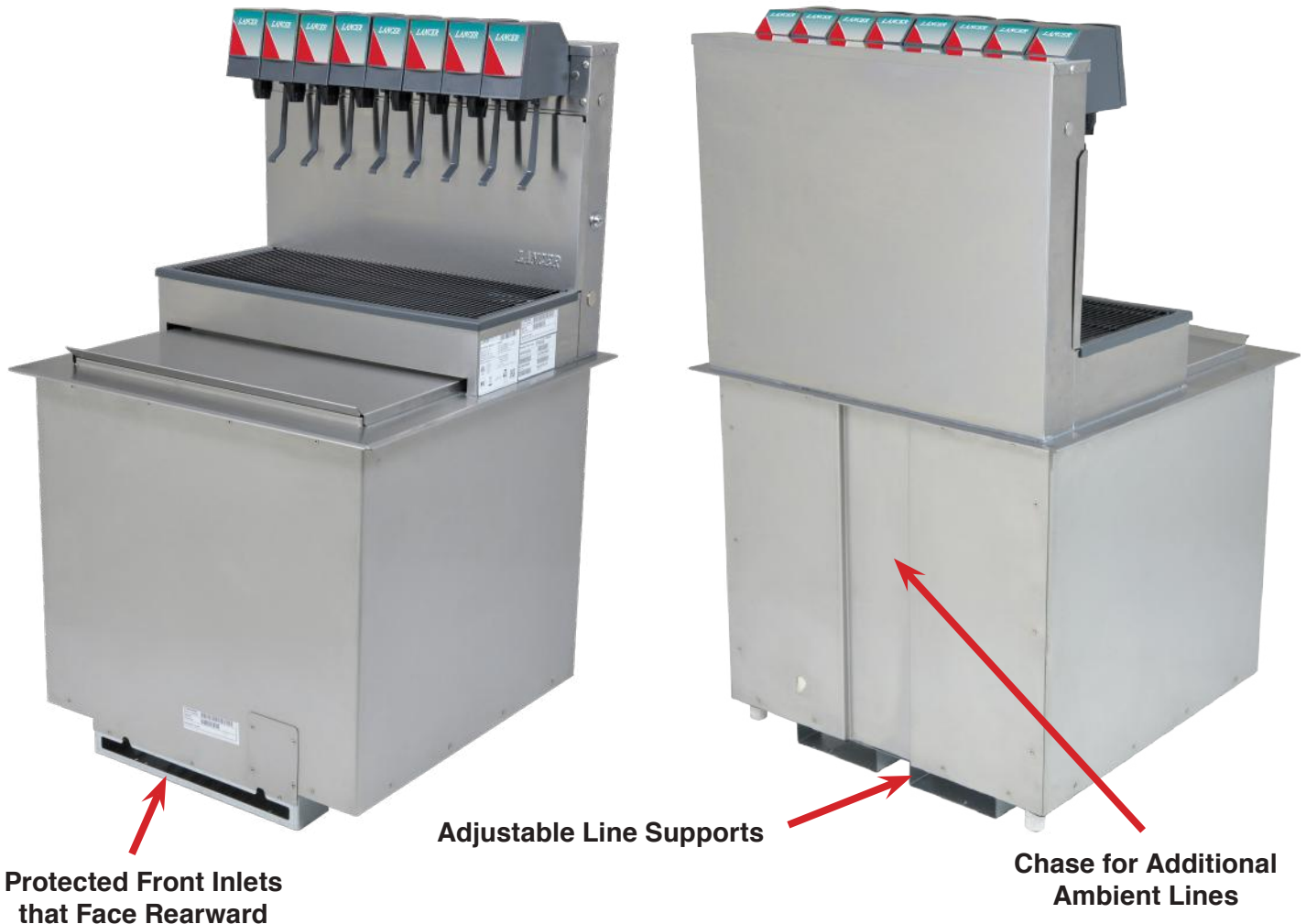
Contact Information:

Lancer Sales: (800) 729-1500
Lancer Customer Service: (800) 729-1500
Lancer Warranty: (800) 729-1550
Lancer USA: (210) 310-7000
Canada: (210) 310-7187
Latin America: (210) 310-7000
International Sales: (210) 310-7063
Europe: 32-2-755-2390
Australia/New Zealand: 61-8-8268-1388
Email: custserv@lancerworldwide.com
Lancer Website: www.lancerworldwide.com

Lancer has optimized our 2323 ICDI Product Line over the past 3 years. The Optimized design adds some exciting features that provide the same great performance as well as improving the serviceability of the ICDI family! The intent is to standardize the manufacturing process, improve the service and installation, and improve the features and performance for all 2323 ICDIs. This includes Standard Performance, High Performance, and Bevariety 2323 ICDIs.

- New Sales on ALL ICDI configurations and SKUs were seamlessly transitioned to this new upgraded Design starting on the dates below...
 - Production of Optimized Standard Performance 2323 ICDIs began on 2/18/2019 with Lancer Serial Number 85237811908MJXOH
 - Production of Optimized Bevariety 2323 ICDIs began on 2/8/2020 with Lancer Serial Number 852308C2006MLJF7
 - Production of High Performance 2323 ICDIs began on 1/28/2021 with Lancer Serial Number 852378T2104MMLVS
- All Marquee, Merchandiser, Valve, and Power Supply options that are currently available on the pre-Optimized 2323s will continue to be supported by the Optimized design

Improved Serviceability:



Improved Cleanability and Life Cost

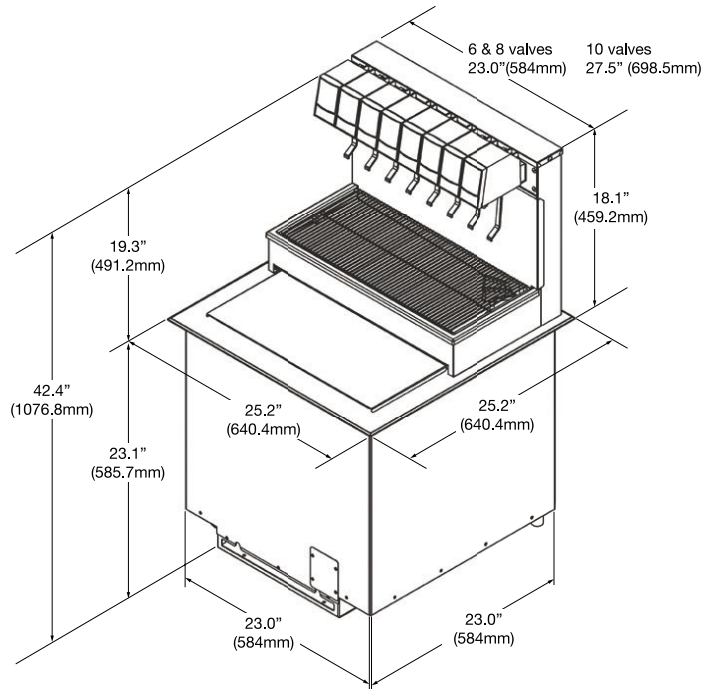
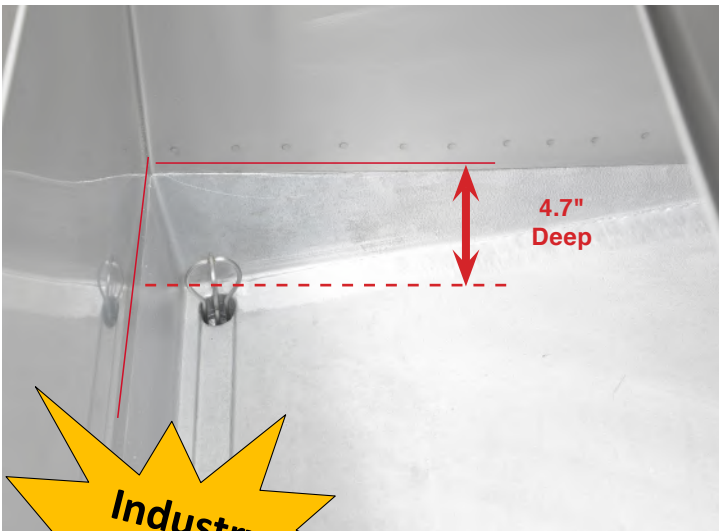
No Exposed Foam around Tower Inlets for Standard Performance Dispensers



Improved Modular Stainless Towers for High Performance and Bevariety Dispensers (Hard Plumbed)



Deep Well Coldplate/Liner



100% Carb/Plain Water Flexibility

Industry Proven Switch Over Fitting with every valve



Improved Regulatory and Compliance Cost:



Legacy Design: Inner Rim could pull away from side, leaving exposed foam.

Optimized Design: Eliminates the issue with a change to a "Hemmed" design



Optimized Features

<u>Standard Performance 2323</u>	<u>High Performance 2323</u>	<u>Bevariety 2323</u>
Front Plumbing Inlets	Front Plumbing Inlets	Front Plumbing Inlets
Adjustable Line Supports	Adjustable Line Supports	Adjustable Line Supports
Deep Well Cold Plate	Deep Well Cold Plate	Deep Well Cold Plate
3.0 Oz/Second	Up to 4.5 Oz/Second	Up to 4.5 Oz/Second
6 Valve: 2-1-1-2 Cold Plate Configuration 8 Valve: 3-1-1-3 Cold Plate Configuration	100% Carb/Plain Water Flexibility	100% Carb/Plain Water Flexibility
Improved Serviceability/Cleanability	Improved Serviceability/Cleanability	Improved Serviceability/Cleanability
Soft Plumbed: No Exposed Foam Around Tower Inlets	Stainless Steel Hard Plumbed Tower	Stainless Steel Hard Plumbed Tower
Remote Carbonation	Remote Carbonation	Integrated Cold-Contact Carbonation System