

43 Series / E Series Carbonators



"Big Mac" E-Series Carbonator

43 Series Carbonator

Standard Features

- Durable rotary-vane brass water pump delivers atomized water to the carbonator tank. Includes internal 100 micron strainer and pressure relief valve.
- Diamond Brite stainless steel construction is corrosion-resistant and easily cleaned.
- Exclusive two-piece probe design reduces service time, improves diagnostics, and lowers costs. No need to shut off CO2 or water during service.
- Fully-encapsulated electronics package is easily removed for testing and service without the need to depressurize the tank.
- Specially designed probe electronics resists damage from amperage spikes for greater reliability.
- Liquid-level float assembly and heat sink probe cap ensure trouble-free operation and extend service life.
- Injection molded base with vibration isolating rubber feet provide sound insulation.
- Anderson Brass ASSE 1022-specified backflow prevention device included.
- Certified compliance with California AB-1953 & Vermont Act 193.

Warranty

- 5-year warranty on carbonator tank and liquid level probe control.

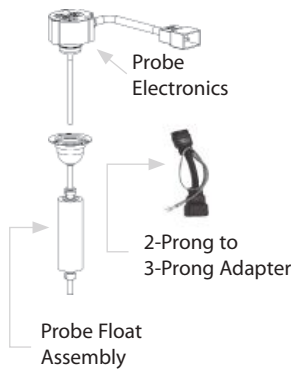


Specifications

	43 Series Carbonators	E Series Carbonators
Water Capacity	100 gph (378 lph) maximum	
Tank Capacity	32 fl. ounces (0.95 liter)	180 fl. ounces (5.3 liter)
Soda Outlets	1	2
Base	115V models have injection molded bases, 220V models have stainless steel bases	
Electrical	115V / 60 hz / 1ph and 220V / 50-60 hz / 1 ph	
Pump	100 GPH rotary-vane brass pump with internal strainer and by-pass relief	
Pressure Relief	180 PSI pressure relief valve	
Backflow Protection	Anderson Brass ASSE 1022-specified backflow prevention device	
Motor	115V models: 1/3 HP, 6.5 amps, 1725 RPM and 220V models: 1/4 HP, 2.0 amps, 1425 RPM	
Inlet/Outlet Fittings	1/4 male flare CO2 inlet, 3/8 male flare water inlet, 3/8 male flare soda water outlet(s)	
Approximate Shipping Weights	25 lbs. (11.4 kg)	28 lbs. (12.7 kg)
Carton Dimensions	13 x 14.5 x 11 in. (33 x 36.8 x 27.9 cm)	12 x 16 x 14.75 in. (30.5 x 40.6 x 37.5 cm)

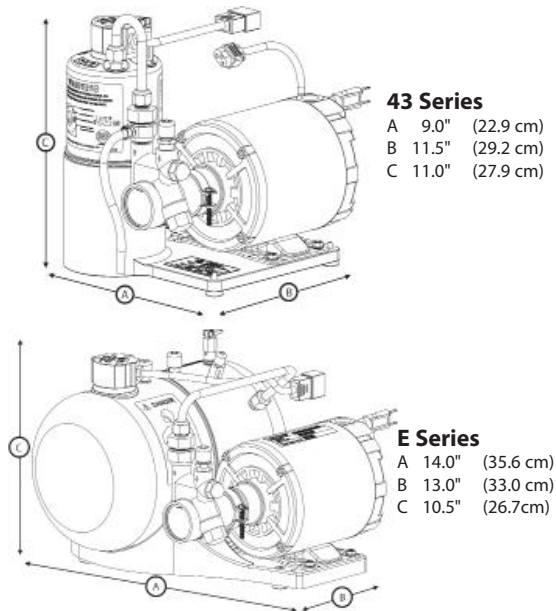
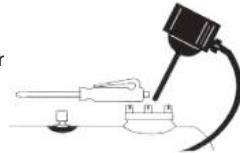
Model Number	Description	Model Number	Description
43-5102	McCann's Small Carbonator, 220V 50/60hz, 32-Ounce SS tank	E400397	McCann's Big Mac Carbonator, 115V 60hz, 180-Ounce SS tank
43-6002	McCann's Small Carbonator, 115V 60hz, 32-Ounce SS tank	E200393	McCann's Big Mac Carbonator, 220V 50/60hz, 180-Ounce SS tank

Accessories	Description
16-0856	Optional Pump Saver – Automatically shuts carbonator motor off if water pressure drops below 15 PSI. Restarts unit when incoming water pressure returns to 20 PSI or more.
16-1480	Optional Wall-Mounted Shelf – For 43 Series, E200, and E400 models



Easy to test 2-Piece Probe

1. Remove probe.
2. Pass magnetic tip of screwdriver across lower end of the tube extending from electronics package.
3. If reed switch closes, motor should start.



47098 ©2012 McCann's 1712 Continuing product improvement may necessitate change of specifications without notice.