

- LEV® CS (3.0)  
  LEV® EF (3.0)  
  LEV® PB (3.0)  
  LEV® PC (3.0)  
  LEV® SSL (3.0)  
 LEV® CS (4.5)  
  LEV® EF (4.5)  
  LEV® PB (4.5)  
  LEV® PC (4.5)  
  LEV® SSL (4.5)



LEV® 3.0 SSL  
with optional  
water button

The **Lancer Electric Valve (LEV®)** is the best in class and best selling valve on the market. It is built with the highest quality materials and proven technology to provide our customers with consistent drink quality and reliability.

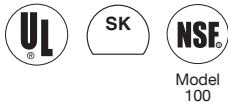
### Features

- Available in 3 and 4.5 oz/second flow rates
- Lowest “Life Cost” of operation available
- Simple design gives high reliability
- Widest range of ratio control (2:1 - 10:1)
- Tamper-proof ratio setting

### Accessories and Options

- Nozzle
- Syrup Separator Nozzle
- Front Water Button
- Diffuser
- Bare Valve

Certified by these agencies:



#### CUSTOMER SERVICE

Should you require more information about our products, please do not hesitate to contact our customer service team at [custserv@lancerworldwide.com](mailto:custserv@lancerworldwide.com).

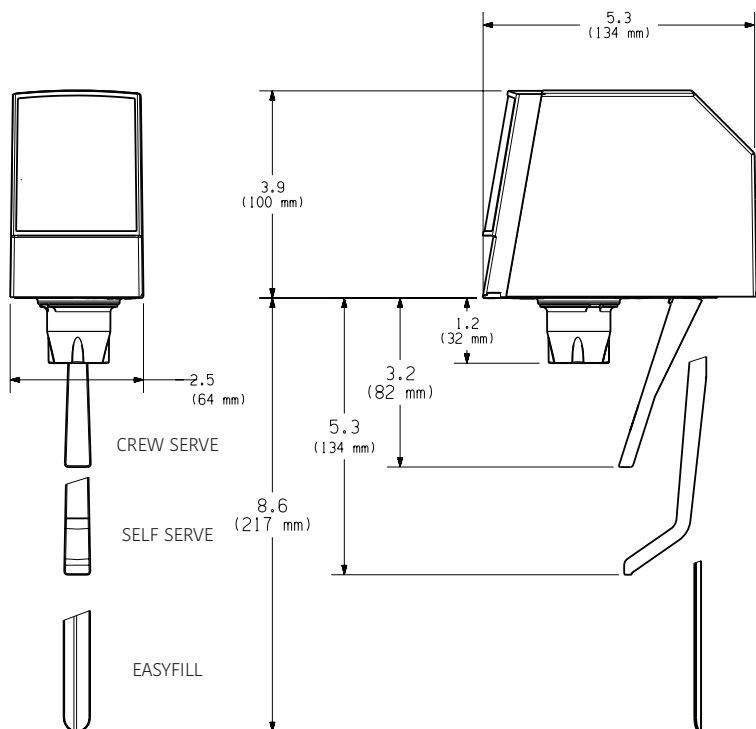


#### WARRANTY

For warranty specifics by product, contact your Lancer Sales Representative. Equipment design and/or specifications are subject to change without notice.

For more Information visit [lancerworldwide.com](http://lancerworldwide.com) or call 1-888-846-6729

- LEV® CS (3.0)    LEV® EF (3.0)    LEV® PB (3.0)    LEV® PC (3.0)    LEV® SSL (3.0)
- LEV® CS (4.5)    LEV® EF (4.5)    LEV® PB (4.5)    LEV® PC (4.5)    LEV® SSL (4.5)



## Distinctive Design

Available in two nozzle sizes with the following drink flow rates:

**LEV 3.0:** 1.5 oz/s - 3.0 oz/s  
(44.4 ml/s – 88.8 ml/s)

**LEV 4.5:** 2.5 oz/s - 4.5 oz/s  
(73.9 ml/s – 133.1 ml/s)

## Available Configurations:

- Push Button (PB)
- Portion Control (PC)
- Crew Serve (CS)
- Self-Serve Lever (SSL)
- Easyfill (EF)

### Flowing Pressure

Water: 40 - 110 psig (2.8 - 7.7 bar)  
Syrup (Sugar): 20 - 70 psig (1.4 - 4.9 bar)  
Syrup (Diet/Light): 10 - 70 psig (0.7 - 4.9 bar)

### Ratio Adjustment Range

2.0 - 10.0 Water/Syrup by Volume  
(dependent on finished drink flow rate)

### Electrical

24V, 50/60 Hz

### Mounting

Uses LEV® Mounting Block  
LEV® mounting block has the same mounting screw hole pattern as the following:

- Dole SEV
- Dole FFV
- Cornelius UF1, SF1
- McCann Turbo Flo Jr.



Mechanical Version  
Coming Soon

For more information visit [lancerworldwide.com](http://lancerworldwide.com) or call 1-888-846-6729