



Drop In Ice Chest
22" x 15"



Free Standing Ice Chest
23" x 21"

Lancer's **IC 400 Ice Chests** are designed using the highest quality materials and proven technology providing our customers with consistent drink quality.

Features

- One inch molded polyurethane structural insulation on all sides and bottom
- Stainless steel construction with or without sealed in high performance cold plate
- Drop In models available with sealed in cold plate; 1/2" drain
- Free Standing models available with sealed in cold plate
- NSF approved sliding lids

Certified by these agencies:



Model 400

CUSTOMER SERVICE

Should you require more information about our products, please do not hesitate to contact our customer service team at custserv@lancerworldwide.com.



WARRANTY

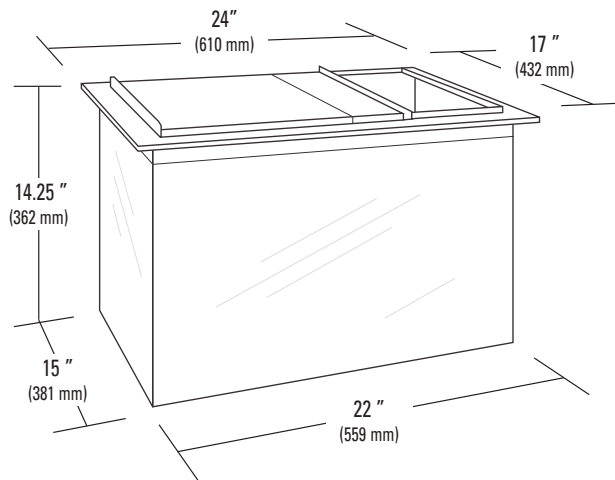
For warranty specifics by product, contact your Lancer Sales Representative. Equipment design and/or specifications are subject to change without notice.

For more Information visit lancerworldwide.com or call 1-888-846-6729

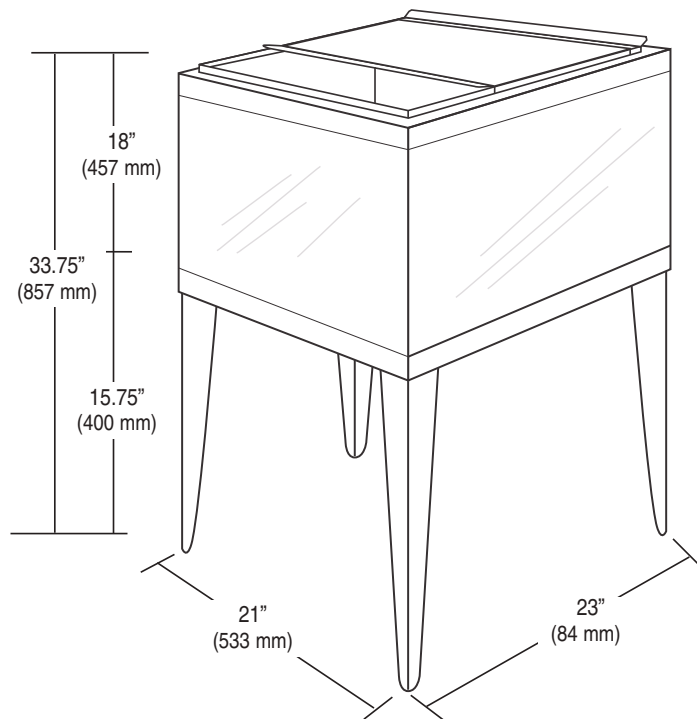
IC 415 Drop In IC 421 Drop In IC 415 Free Standing IC 421 Free Standing

IC 400 Series Ice Chests

IC 415 Drop In



IC 421 Free Standing



Dimensions

IC 415 Drop In:

8 Circuit Cold Plate - 22" W x 15" D x 14.25" H
(559 mm W x 381 mm D x 362 mm H)

IC 421 Drop In:

9 Circuit Cold Plate - 23" W x 21" D x 17.25" H
(584 mm W x 533 mm D x 438 mm H)

IC 415 Free Standing:

8 Circuit Cold Plate - 22" W x 15" D x 14" H
(559 mm W x 381 mm D x 356 mm H)

IC 421 Free Standing:

9 Circuit Cold Plate - 23" W x 21" D x 18" H
(584 mm W x 533 mm D x 457 mm H)

Counter Cut-out for Drop In Units

1/4" (6.35 mm) larger than dimensions

Weight

IC 415 Drop In: Shipping weight: 90 lbs (40.8 kg)

IC 421 Drop In: Shipping weight: 114 lbs (51.7kg)

IC 415 Free Standing: Shipping weight: 90 lbs (40.8 kg)

IC 421 Free Standing: Shipping weight: 114 lbs (51.7 kg)

Ice Capacity

IC 415 Drop In: 60 lbs (27.2 kg)

IC 421 Drop In: 100 lbs (45.4 kg)

IC 415 Free Standing: 60 lbs (27.2 kg)

IC 421 Free Standing: 100 lbs (45.4 kg)

For more Information visit lancerworldwide.com or call 1-888-846-6729