



Drop In Ice Chest
22" x 15"



Free Standing
Ice Chest
23" x 21"

Lancer's **IC 400 Ice Chests** are designed using the highest quality materials and proven technology providing our customers with consistent drink quality.

Features

- One inch molded polyurethane structural insulation on all sides and bottom
- Stainless steel construction with or without sealed in high performance cold plate
- Drop In models available with sealed in cold plate; 1/2" drain
- Free Standing models available with sealed in cold plate
- NSF approved sliding lids

Certified by these agencies:



Model
400

CUSTOMER SERVICE

Should you require more information about our products, please do not hesitate to contact our customer service team at custserv@lancerworldwide.com.



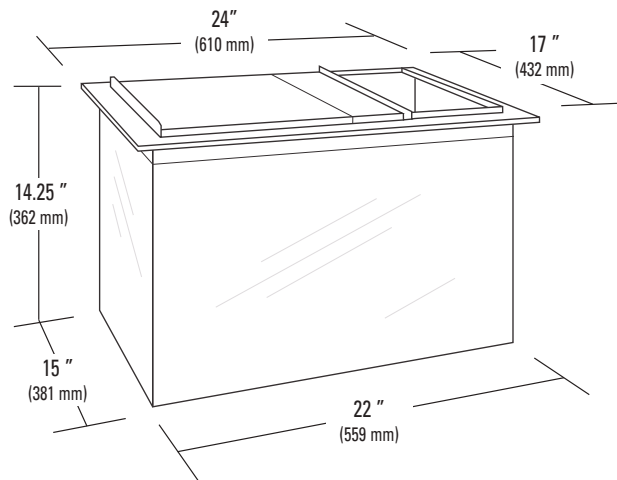
WARRANTY

For warranty specifics by product, contact your Lancer Sales Representative. Equipment design and/or specifications are subject to change without notice.

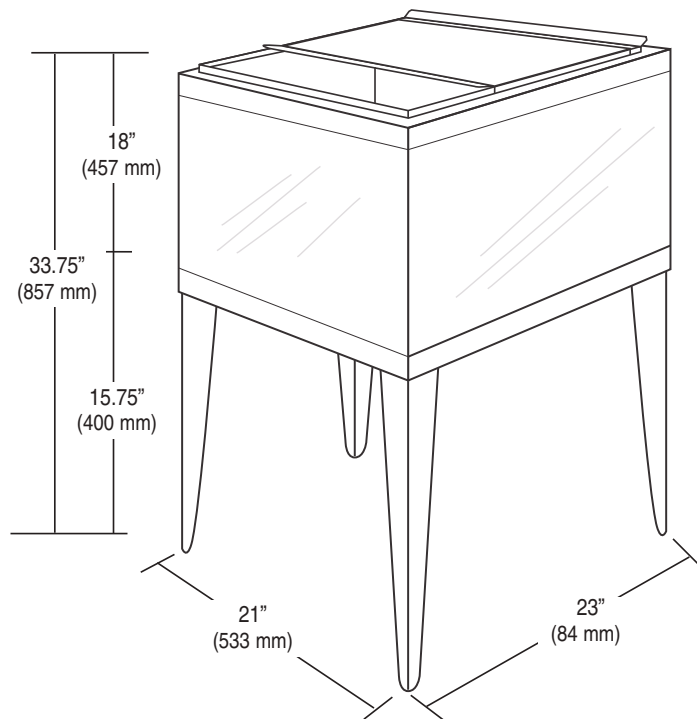
For more Information visit lancerworldwide.com or call 1-888-846-6729

IC 415 Drop In IC 421 Drop In IC 415 Free Standing IC 421 Free Standing

IC 415 Drop In



IC 421 Free Standing



Dimensions

IC 415 Drop In:

8 Circuit Cold Plate - 22" W x 15" D x 14.25" H
(559 mm W x 381 mm D x 362 mm H)

IC 421 Drop In:

9 Circuit Cold Plate - 23" W x 21" D x 17.25" H
(584 mm W x 533 mm D x 438 mm H)

IC 415 Free Standing:

8 Circuit Cold Plate - 22" W x 15" D x 14" H
(559 mm W x 381 mm D x 356 mm H)

IC 421 Free Standing:

9 Circuit Cold Plate - 23" W x 21" D x 18" H
(584 mm W x 533 mm D x 457 mm H)

Counter Cut-out for Drop In Units

1/4" (6.35 mm) larger than dimensions

Weight

IC 415 Drop In: Shipping weight: 90 lbs (40.8 kg)

IC 421 Drop In: Shipping weight: 114 lbs (51.7kg)

IC 415 Free Standing: Shipping weight: 90 lbs (40.8 kg)

IC 421 Free Standing: Shipping weight: 114 lbs (51.7 kg)

Ice Capacity

IC 415 Drop In: 60 lbs (27.2 kg)

IC 421 Drop In: 100 lbs (45.4 kg)

IC 415 Free Standing: 60 lbs (27.2 kg)

IC 421 Free Standing: 100 lbs (45.4 kg)

For more Information visit lancerworldwide.com or call 1-888-846-6729