

□ ICDI 2200 □ ICDI 2300 6v □ ICDI 2300 8v

ICDI 2300 8v



Standard Performance Ice Cooled Drop In Dispensers

(ICDI) are designed using the highest quality materials and proven technology providing our customers with consistent drink quality.

Features

- Improved easy serviceability/cleanability
- Stainless steel construction with sealed in cold plate
- Ice bin insulated with CFC free structural foam
- Syrup & soda inlets: 3/8" (9.5 mm) male barb
- LEV® valves standard, other valves available upon request
- Key lock switch

Accessories and Options

- Conversion Stand
- Marquee
- Merchandiser
- Splash Guards
- Power Supply
- Valve Conversion Kit

Certified by these agencies:



CUSTOMER SERVICE

Should you require more information about our products, please do not hesitate to contact our customer service team at custserv@lancerworldwide.com.

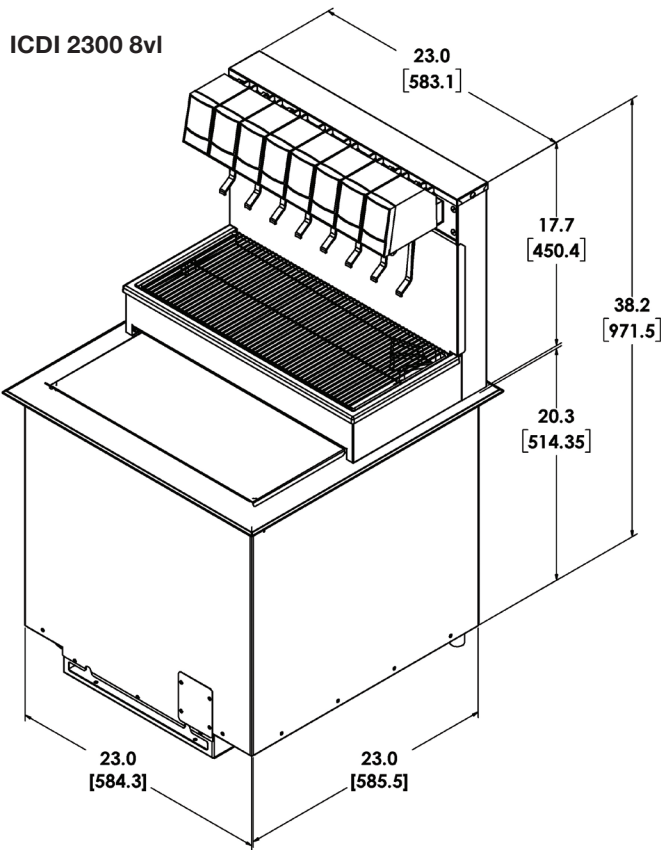
WARRANTY

For warranty specifics by product, contact your Lancer Sales Representative. Equipment design and/or specifications are subject to change without notice.

Standard Performance Ice Cooled Drop In Dispensers

For more Information visit lancerworldwide.com or call 1-888-846-6729

□ ICDI 2200 □ ICDI 2300 6v □ ICDI 2300 8v



Distinctive Design

Meets or exceeds industry standards for performance

ICDI 2200 -5 valves (2-2-1)
6 valves (3-2-1)
Removable splash plate and drip tray for easy cleaning

ICDI 2300 -6 valves (2-1-1-2)
8 valves (3-1-1-3)
– Onsite Upgrade
– Front Plumbing Inlets

Dimensions

ICDI 2200 - 33.375" H x 15" W x 23" D
(848 mm H x 381 mm W x 584 mm D)
ICDI 2300 - 38.2" H x 23" W x 23" D
(970 mm H x 584 mm W x 584 mm D)

Counter Cut-Out

ICDI 2200 - 15.25" W x 23.25" D
(387 mm W x 591 mm D)
ICDI 2300 - 23.25" W x 23.25" D
(591 mm W x 591 mm D)

Weight

ICDI 2200 - Operating: 166 lbs (75 kg)
Shipping: 175 lbs (79 kg)
ICDI 2300 - Operating: 206 lbs (93 kg)
Shipping: 260 lbs (118 kg)

Ice

ICDI 2200 - Capacity: 60 lbs (27.2 kg)
ICDI 2300 - Capacity: 100 lbs (45 kg)

Electrical

ICDI 2200 - 115V/60Hz
ICDI 2300 - 115V/60Hz
220-240V/50-60Hz

For more Information visit lancerworldwide.com or call 1-888-846-6729