



LANCERBEERSYSTEMS.COM

HI-LIGHT FAUCET

304 grade stainless steel, quick connect/disconnect faucet



Lancer's Hi-Light faucet with quick connect/disconnect adapter allows faucet maintenance without disengaging the keg coupler.

- > Quick disconnect faucets eliminate need for faucet locks
- > 304 grade stainless steel preserves the integrity of the beer being poured
- > Fits all Lancer beer towers
- > Can be used for beer, wine or cider
- > Available with or without handle and shank
- > Hi-Light faucet has an exclusive groove machined into the faucet for our washout harness system or growler filler hose



Dispensing Solutions that *Pour More*

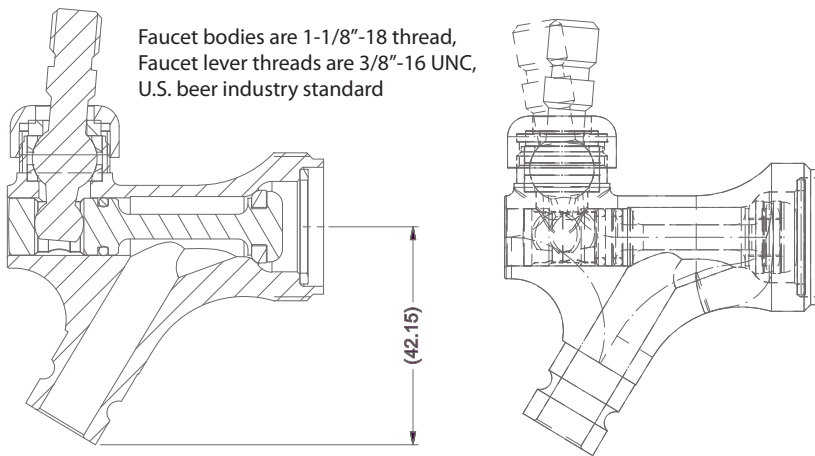
HI-LIGHT FAUCET SPEC SHEET



PART NUMBERS

19-0510 Hi-Light faucet complete with shank and handle

19-0511 Hi-Light faucet without shank or handle



Faucet bodies are 1-1/8"-18 thread,
Faucet lever threads are 3/8"-16 UNC,
U.S. beer industry standard



19-0510
shown with adapter
(01-2778 adapter
sold separately)

ASSOCIATED PARTS

Part Number	Description
01-2778	Fatlock quick connect/disconnect adapter, 304 stainless steel, 3/4"
01-2779	Flush-out or growler filler snap-on adapter
66000004	Fatlock shank
BB101255	Black tapered faucet handle
82-4373	Hi-Light faucet repair kit (seat valve, gasket, washers, O-ring)
02-0653	Fatlock adapter service kit, 3/4"
02-0219	Flush-out adapter O-ring
95-0231	Food grade lubricant



01-2778
Fatlock quick connect/
disconnect adapter



01-2779
Flush-out or
growler filler adapter



66000004
Fatlock shank



Lancer Corp.

6655 Lancer Boulevard

San Antonio, TX 78219

210-310-7000

1-800-729-1500

Fax: 210-310-7250

lancerbeersystems.com



Customer Service:

Should you require more information about our products, please do not hesitate to contact our customer service desk at custserv@lancercorp.com.



Warranty:

For warranty specifics by product, contact your Lancer Sales Representative. Equipment design and/or specifications are subject to change without notice.