



# BevJet Compact



**Flojet's New BevJet Compact Beverage Dispense System is designed for dispensing water, wine, non-pulp juice, iced teas, alcohol <15%, syrups and more.**

BevJet Compact is ideal for beverage dispensing applications requiring flow rates from 0.8 to 1.0 GPM (3.0 - 3.8 L/Min). The product dispenses safely through NSF Alcohol <15% approved tubing and cleaning is as simple as reconnecting the tube.

BevJet Compact system intelligence automatically stops when the supply is empty. This unit's compact design allows it to be mounted in tight spaces such as cabinets, carts and any under counter application. The new robust design combines innovative features and relentless testing to offer a pump with a long, trouble-free service life.

## Features and Benefits

- Easy to clean, prevents contamination.
- NSF Certification, ensures compliance with approved piping and fittings.
- Quick Disconnect Port, allows hose replacement in seconds.
- Rubber-like mounting feet minimize noise.
- Built in shut-off, automatically shuts the unit down when the bag is empty.
- Flojet Electric Diaphragm Pumps Technology, ensures run dry capabilities, allowing for a long, trouble-free service life.
- Thermal Protection provides peace of mind.
- Long Life Motor.
- Illuminated ON/OFF switch to indicate when supply is depleted.

# BevJet Compact

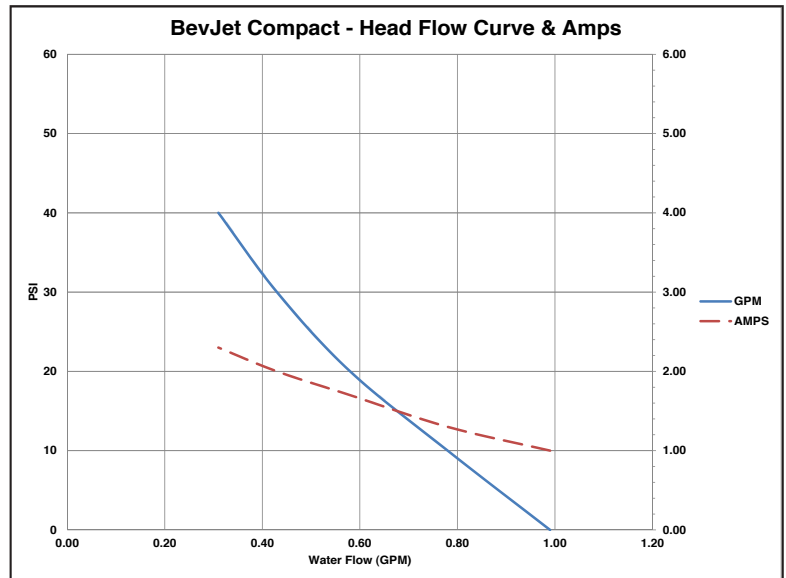
## Models and Specifications

BLC1011-000A 115 VAC US PLUG		BLC1011-010A 115 VAC US PLUG		BLC1011-011A 115 VAC US PLUG	
BLC2011-000A 230 VAC UK PLUG	BLC3011-000A 230 VAC EU PLUG	BLC2011-010A 230 VAC UK PLUG	BLC3011-010A 230 VAC EU PLUG	BLC2011-011A 230 VAC UK PLUG	BLC3011-011A 230 VAC EU PLUG
BLC4011-000A 230 VAC AU PLUG	BLC5011-000A 100-240 VAC NO PLUG	BLC4011-010A 230 VAC AU PLUG	BLC5111-010A 100-240 VAC NO PLUG	BLC4011-011A 230 VAC AU PLUG	BLC5011-011A 100-240 VAC NO PLUG

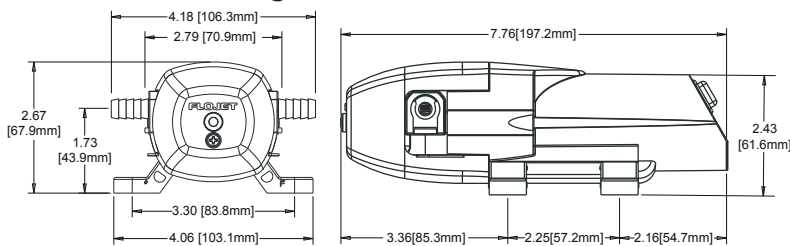
Can be used with beer, wine and alcohol that contains less than 15% alcohol

The above models contain a faucet and are to be used with water only

Pump Design:	Positive displacement double diaphragm
Approvals:	NSF, CE, UL, RoHS
Wetted Pump Parts:	
Housing	Polypropylene
Elastomers	EPDM & Santoprene®
Check Valve Spring	Stainless Steel
Inlet Port:	1/2" Quick Fittings shown below
Outlet Port:	1/2" Quick Fittings shown below
Liquid Temperature:	Min 34°F (1.1°C) / Max 120°F (49°C)
Net Weight:	1lb (454 Grams)
Dimensions:	Length 7.76" [197.2 mm] Width 4.06" [103.1 mm] Height 2.67" [67.9 mm]
Flow Rate:	1.0 GPM (3.8 LPM) Max
Amp draw:	2.0 Amps at 30 PSI (1.7 bar) and .43 GPM (1.63 L/Min)
Pressure:	40 PSI (2.8 bar) Max
Handles viscosity:	Up to 100 Centipoise
Pump is not intended to pump media with particulates such as pulp	



## Dimensional Drawing

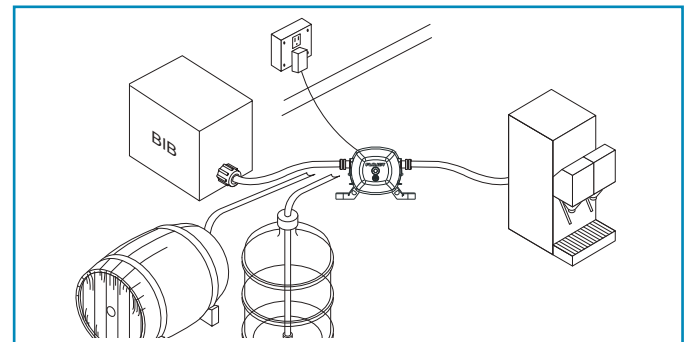


## Available liquid port fittings

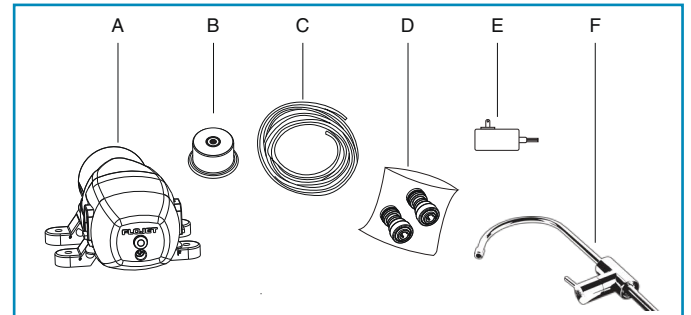
20325030 3/8" HB SS EPDM	20606100 1/2" HB SS EPDM	20607100 1/4" HB SS EPDM	21000694A 3/8" HB POLY EPDM	21000197A 1/4" JG POLY EPDM
20324030 1/4" HB SS EPDM	20608100 3/8" HB SS EPDM	20325031 3/8" HB CELCON EPDM	21000232A 3/8" JG POLY EPDM	21000679A 5/16" JG POLY EPDM

No ports included. Will need to be purchased separately.

## Typical Beverage Installation



## Kit Includes



**xylem**  
Let's Solve Water

Xylem, Inc.  
USA  
17942 Cowan  
Irvine, CA 92614  
Tel: +1.949.608.3900  
Fax: +1.949.608.3886

Xylem, Inc.  
ENGLAND  
Bingley Road, Hoddesdon  
Hertfordshire EN11 0BU  
Tel: +44 (0) 1992 450145  
Fax: +44 (0) 1992 467132

Xylem, Inc.  
CHINA  
30/F Tower A  
100 Zunyi Road  
Shanghai, China 200051  
Tel: +86-21-2208-2888  
Fax: +86-21-2208-2999

Xylem, Inc.  
GERMANY  
Oststrasse 28  
22844 Norderstedt  
Tel: +49-40-53 53 73-0  
Fax: +49-40-53 53 73-11

Xylem, Inc.  
ITALY  
Via Tommaseo, 6  
20059 Vimercate, Milano  
Tel: +39 039 685 2323  
Fax: +39 039 666 307