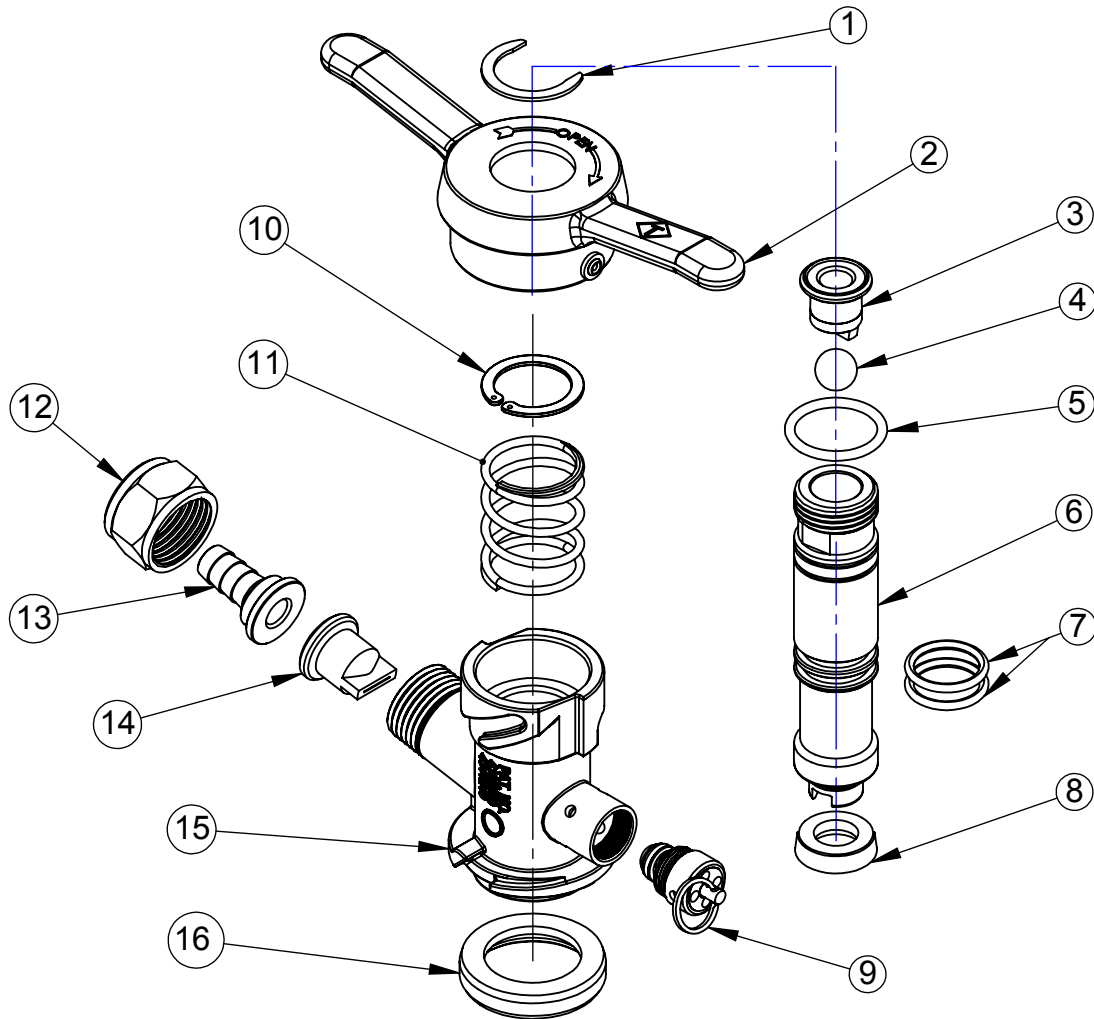


# FT86 FAST TAP WITH METAL WING HANDLE

## PARTS BREAKDOWN



<u>Index No.</u>	<u>Part No.</u>	<u>Description</u>
1.	FT85-114	Ring, Probe Retaining
2.	FT85-8A	Handle, Wing Chrome Pltd. Ass'y
3.	FT85-113W	Retainer, Ball Red
4.	FT84-2DR	Ball
5.	70228	O-Ring, Bronco Body
6.	FT85-9G	Probe, Chrome Pltd., Fast Tap
7.	80231	O-Ring, Coupler Probe
8.	FT40-15	Washer, Probe
9.	440-19L-60	Safety Ass'y 60#
10.	FT85-112	Ring, Retaining Pltd.
11.	FT84-3	Spring
12.	80228	Nut, Hex Coupler
13.	526E	Nipple, Hose 5/16"
14.	FT86-20A	Adaptor, Thomas Vent Ass'y
15.	FT86-1	Body, Fast Tap Chrome
16.	24253	Seal, Bottom