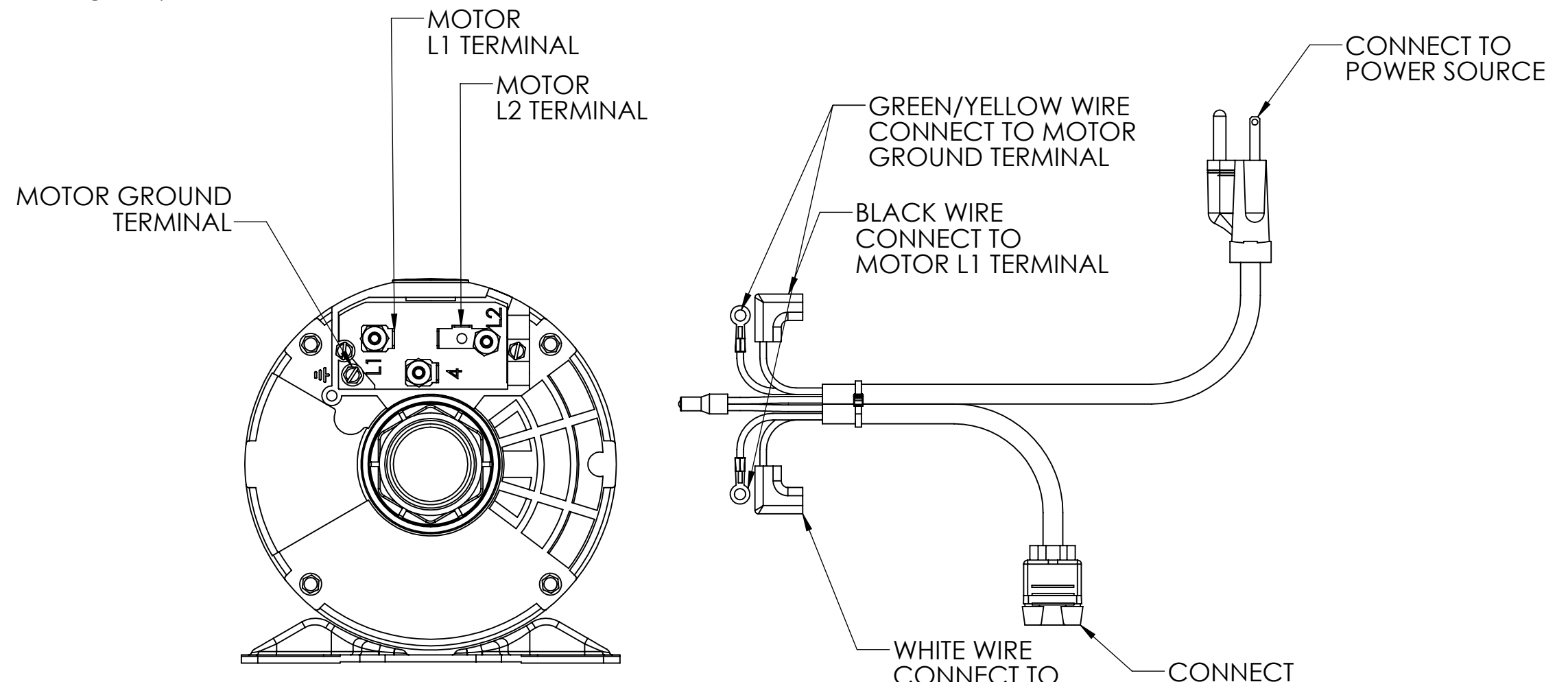


FIRST PRODUCTION SAMPLE MUST BE SUBMITTED TO McCANN'S ENGINEERING & MFG. CO. FOR APPROVAL.

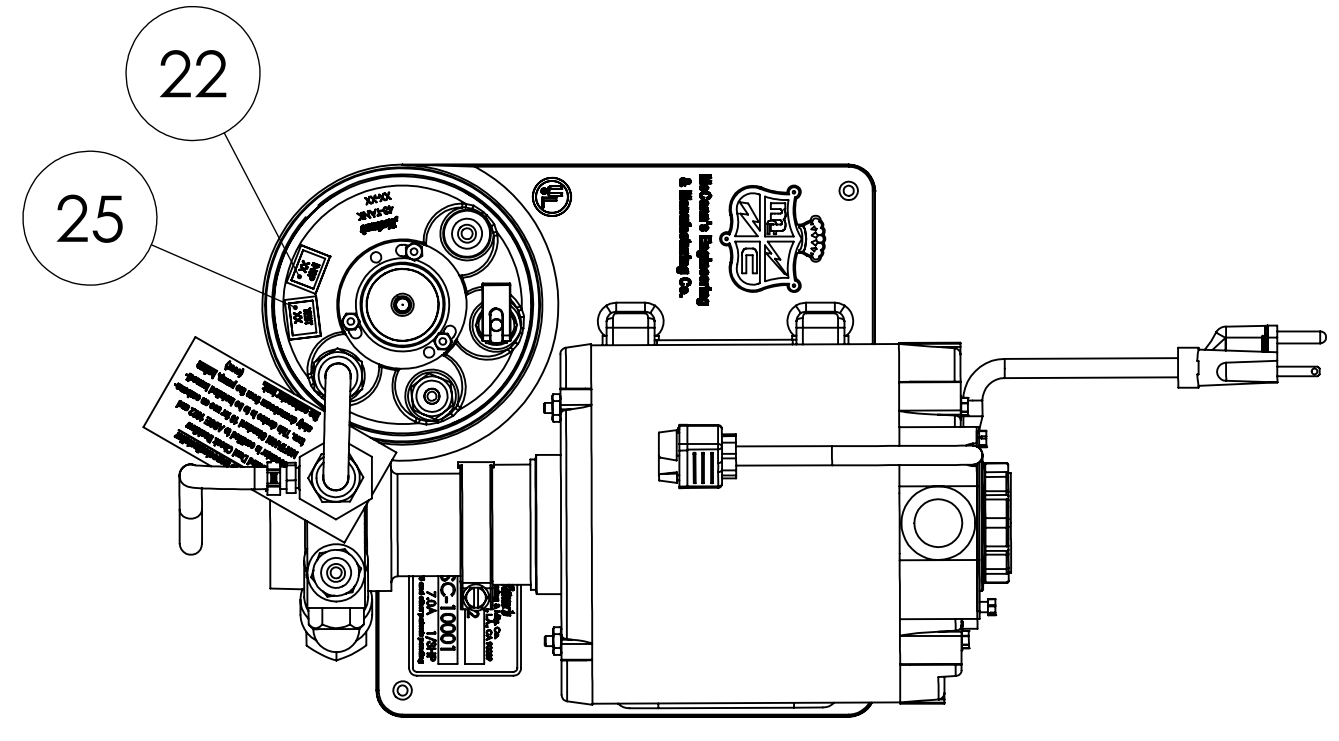
REVISIONS					
REV	ECN#	DESCRIPTION	DRFT.	APPR.	DATE
A	9733	PRODUCTION RELEASE.	ECP		06/14/06
B	9782	ADDED ITEM 10-0251 TO PARTS LIST, IS 2X 10-0297 WAS 3X 10-0257.	ECP		09/17/07

D

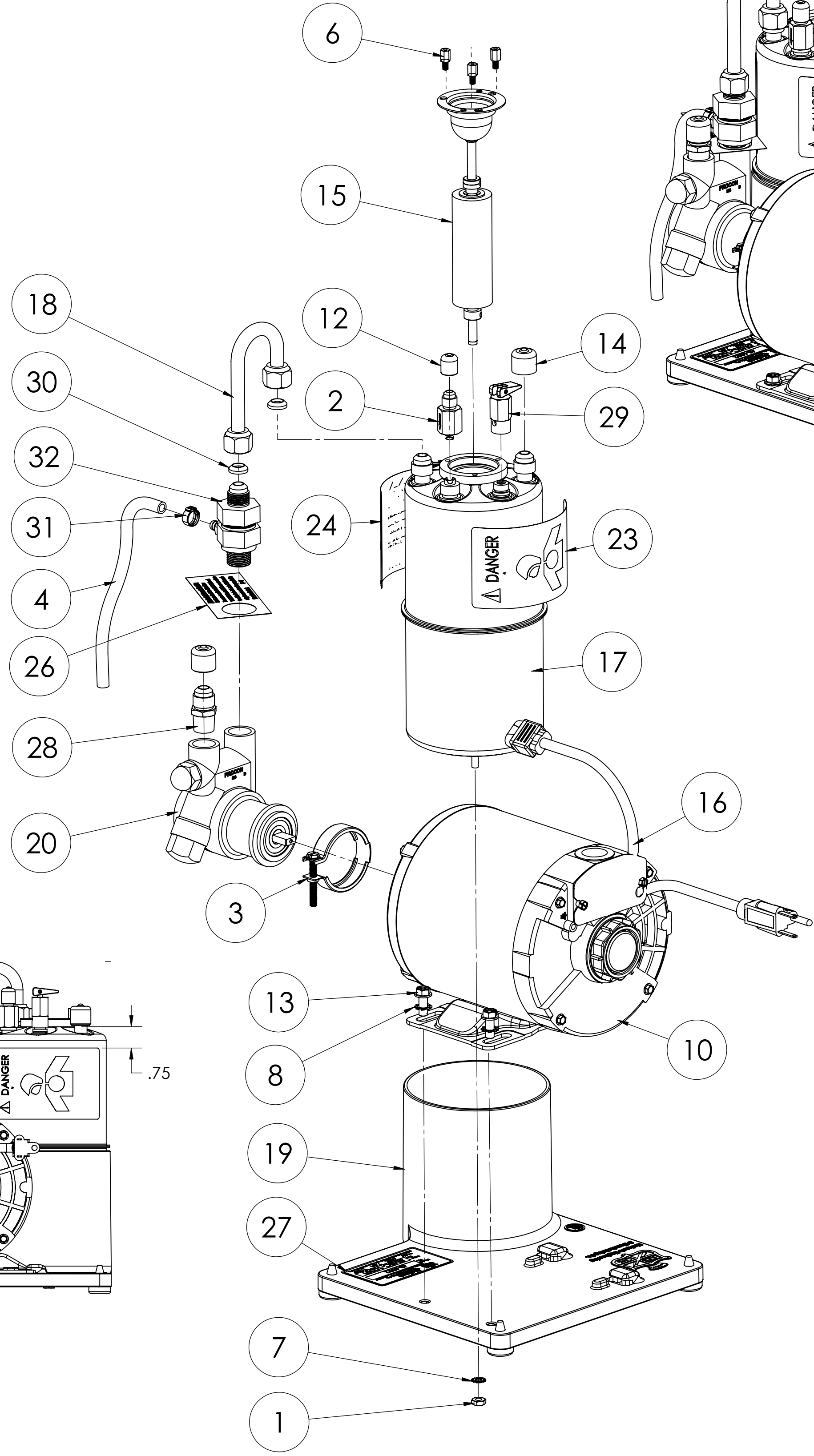


MOTOR WIRE CONNECTIONS

C

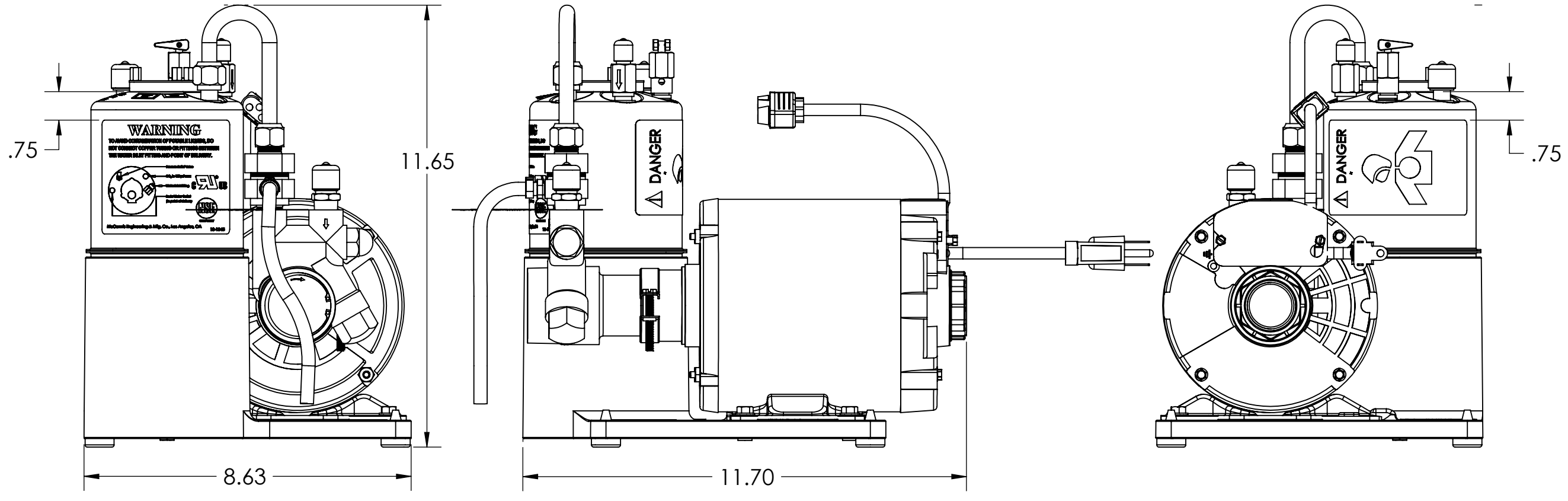


B



ITEM NO.	QTY.	PART NO.	DESCRIPTION
33	1	19-0897	ASSE 1022, BACKFLOW PREVENTER
32	1	19-0676	CLAMP, 13/32 I.D., OETIKER, STEPLESS, NO. 10.5-505R
31	2	19-0268	GASKET, FLARE, 3/8, SAE
30	1	19-0031	VALVE ASSY, PRESSURE RELIEF, CARB. TANK, 180 PSI, RED HANDLE
29	1	19-0028	FITTING, 3/8 MALE FLARE X 3/8 MALE PIPE THREAD, BRASS
28	1	18-1630	LABEL, MODEL/SERIAL NUMBER, CARBONATOR, 43-6002
27	1	18-1571	TAG, ABF-1
26	1	18-1368	DECAL, TEST STICKER
25	1	18-1345	DECAL, SMALL CARBONATOR
24	1	18-1339	DECAL, CARBONATOR TANK, CO2
23	1	18-1075	DECAL, INSPECTION STICKER (11 THRU 25)
22	1	17-0500	INSTRUCTION, INSTALLATION, CARBONATOR & PROBE (NOT SHOWN)
21	1	16-2115-41	ASSY, PROBE, 115V ELECTRICAL, BLACK CAP
20	1	16-0148	PUMP, BRASS, ROTARY VANE, 100 GPH
19	1	15-3153	ASSY., CARBONATOR BASE W/ INSERT & FEET
18	1	15-3093	ASSY., TUBING, WATER INLET FOR 43-5002
17	1	15-3092	ASSY., CARB., WELD, TOP & BOTTOM, SMALL TANK, 3/8 MF W/ STUD
16	1	15-2088	ASSY., CARB., POWER CORDS, 18-3/8 FT.
15	1	15-1951	ASSY., 115/220V, PROBE, FLOAT RING
14	2	10-2006	CAP PLUG, VC-600-8, BLACK, VINYL
13	2	10-1938	1/4-20 X 5/8, SCREW, HEX HEAD, PHILLIPS
12	1	10-1877	PLUG, CAP, VC-375-8, BLACK
11	A/R	10-1651	ADHESIVE, LOCTITE, 565 (NOT SHOWN)
10	1	10-1649	MOTOR, 115V, 1/3 HP
9	1	10-1181	WIRE TIE, TWISTER, 5" LONG (NOT SHOWN)
8	2	10-0297	WASHER, LOCK, # 1/4, EXTERNAL TOOTH, ZINC PLATED
7	1	10-0251	WASHER, LOCK, #10, EXT. TOOTH
6	3	09-1877	STUD, PROBE
5	1	07-0344	CARTON, CARBONATOR, SMALL (NOT SHOWN)
4	1	01-1649	HOSE, PVC, 1/4 I.D. X 3/8 O.D., CUT 12"
3	1	00-1222	CLAMP, V-BAND, CARBONATOR
2	1	00-0868	CHECK VALVE, CARBONATOR, SINGLE, 1/4 MALE FLARE
1	1	00-0424	NUT, HEX, 10-32, ZINC PLATED

A



1. IDENTIFY SHIPPING CONTAINER WITH PART NO. & LATEST REV. LETTER.
NOTES: UNLESS OTHERWISE SPECIFIED.

UNLESS OTHERWISE SPECIFIED:
DO NOT SCALE THIS DRAWING.
ALL DIMENSIONS ARE IN INCHES.
THREADS PER ASA AND SAE STANDARDS.
CYLINDRICAL SURFACES AND FACES TO BE SQUARE WITHIN .002 PER INCH.
ALL DIAMETERS TO BE CONCENTRIC TO COMMON CENTER LINE WITHIN .005 TIR.
BREAK ALL SHARP EDGES .005/.015 R OR .005/.015 X 45°/45° CHAMFER.

HOLE DIA. TOL-.002
013-.125 +.003
.126-.250 +.004
.251-.500 +.005

HOLE DIA. TOL-.002
.501-.750 +.007
.751-1.00 +.009
1.001-2.00 +.011

FINISH: XXX=+.005
XX=+.010
X=+.015
X/X=+.030

SHEET METAL PARTS: XXX=+.005
XX=+.015
X=+.030
X/X=+.060

SURFACE FINISH: 63/

MATERIAL: SEE PARTS LIST

DATE: 05/01/06
DR: ECP
CHK:

SCALE: NTS

LIST OF MATERIALS

McCann's Engineering & Mfg. Co.
4570 W. Colorado Blvd.
Los Angeles CA, 90039

ASSY., CARBONATOR, SMALL, 115V, ASSE 1022

REV: D
43-6002
SHEET 1 OF 1