

REV	TECHN	DESCRIPTION	DATE
M	9711	MODIFIED NOTE 2, ADDED 14-1146 TO PART LIST	06/19/06
N	9711	MODIFIED NOTE 2, ADDED 14-1146 TO PART LIST	06/19/06

REV	TECHN	DESCRIPTION	DATE
M	9711	MODIFIED NOTE 2, ADDED 14-1146 TO PART LIST	06/19/06
N	9711	MODIFIED NOTE 2, ADDED 14-1146 TO PART LIST	06/19/06

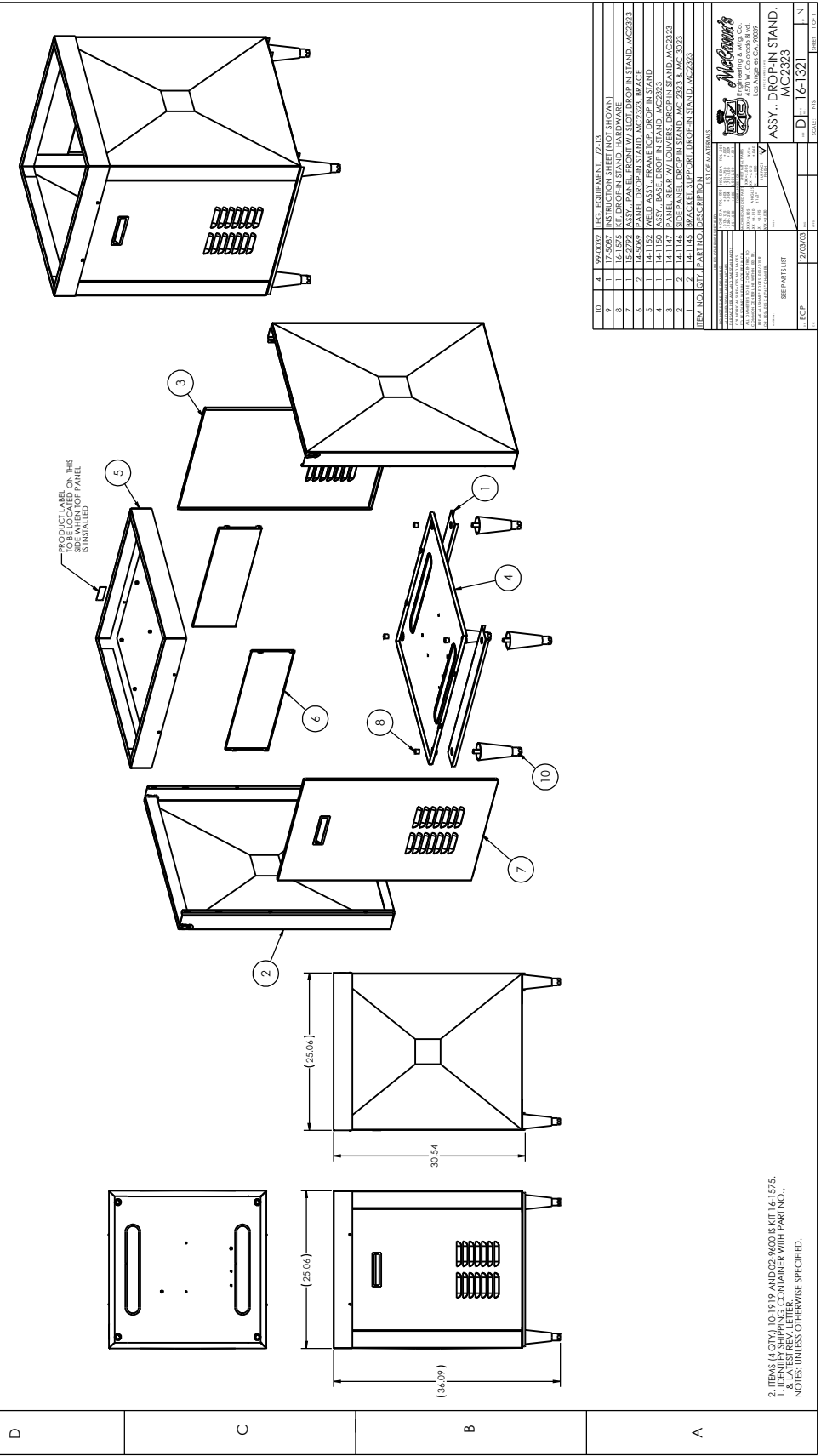
REV	TECHN	DESCRIPTION	DATE
M	9711	MODIFIED NOTE 2, ADDED 14-1146 TO PART LIST	06/19/06
N	9711	MODIFIED NOTE 2, ADDED 14-1146 TO PART LIST	06/19/06

REV	TECHN	DESCRIPTION	DATE
M	9711	MODIFIED NOTE 2, ADDED 14-1146 TO PART LIST	06/19/06
N	9711	MODIFIED NOTE 2, ADDED 14-1146 TO PART LIST	06/19/06

REV	TECHN	DESCRIPTION	DATE
M	9711	MODIFIED NOTE 2, ADDED 14-1146 TO PART LIST	06/19/06
N	9711	MODIFIED NOTE 2, ADDED 14-1146 TO PART LIST	06/19/06

REV	TECHN	DESCRIPTION	DATE
M	9711	MODIFIED NOTE 2, ADDED 14-1146 TO PART LIST	06/19/06
N	9711	MODIFIED NOTE 2, ADDED 14-1146 TO PART LIST	06/19/06

FIRST PRODUCTION SAMPLE MUST BE SUBMITTED TO MCCANNIS ENGINEERING & MFG. CO. FOR APPROVAL



REV	TECHN	DESCRIPTION	DATE
M	9711	MODIFIED NOTE 2, ADDED 14-1146 TO PART LIST	06/19/06
N	9711	MODIFIED NOTE 2, ADDED 14-1146 TO PART LIST	06/19/06

REV	TECHN	DESCRIPTION	DATE
M	9711	MODIFIED NOTE 2, ADDED 14-1146 TO PART LIST	06/19/06
N	9711	MODIFIED NOTE 2, ADDED 14-1146 TO PART LIST	06/19/06

REV	TECHN	DESCRIPTION	DATE
M	9711	MODIFIED NOTE 2, ADDED 14-1146 TO PART LIST	06/19/06
N	9711	MODIFIED NOTE 2, ADDED 14-1146 TO PART LIST	06/19/06

REV	TECHN	DESCRIPTION	DATE
M	9711	MODIFIED NOTE 2, ADDED 14-1146 TO PART LIST	06/19/06
N	9711	MODIFIED NOTE 2, ADDED 14-1146 TO PART LIST	06/19/06

REV	TECHN	DESCRIPTION	DATE
M	9711	MODIFIED NOTE 2, ADDED 14-1146 TO PART LIST	06/19/06
N	9711	MODIFIED NOTE 2, ADDED 14-1146 TO PART LIST	06/19/06

REV	TECHN	DESCRIPTION	DATE
M	9711	MODIFIED NOTE 2, ADDED 14-1146 TO PART LIST	06/19/06
N	9711	MODIFIED NOTE 2, ADDED 14-1146 TO PART LIST	06/19/06

2. IEBAS (4 QTY), 10-1919 AND 02-9600 & KIT 14-1575.  
 1. IEBAS MUST BE SHIPPED IN CONTAINER WITH PART NO. 14-1575.  
 NOTES: UNLESS OTHERWISE SPECIFIED.

**MCCANNIS ENGINEERING & MFG. CO.**  
 407 W. COLLEGE AVE.  
 LOS ANGELES, CA 90009

REV	DATE	BY	CHKD
16-1321	12/01/03		

REV	DATE	BY	CHKD
16-1321	12/01/03		

REV	DATE	BY	CHKD
16-1321	12/01/03		

REV	DATE	BY	CHKD
16-1321	12/01/03		

REV	DATE	BY	CHKD
16-1321	12/01/03		